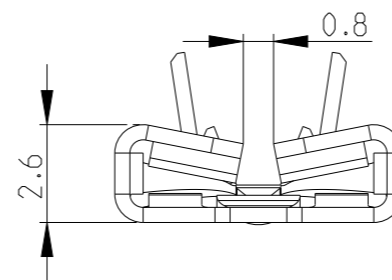
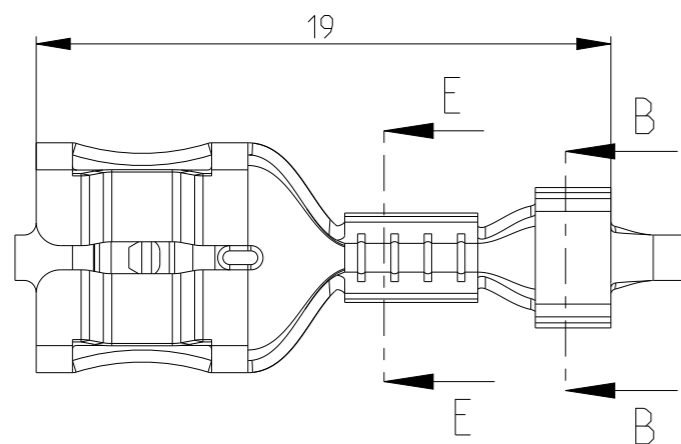
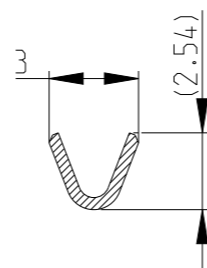
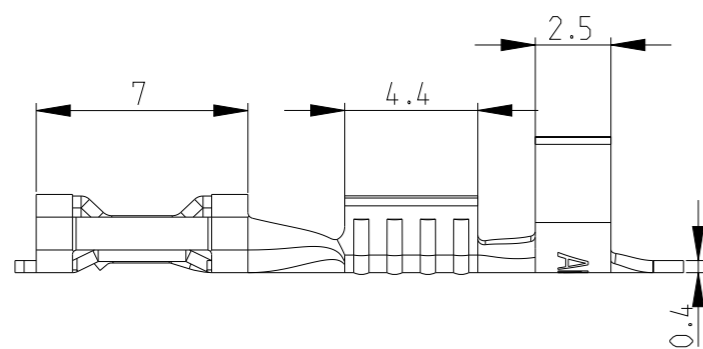


LOC	DIST	REVISIONS					
		P	LTR	DESCRIPTION	DATE	DWN	APVD
-	-		A	REV.A RELEASE BASED ON REV.3	23OCT2014	DL	TD
			A1	RELEASE PER ECR-14-018864	24DEC2014	DL	TD
			C	REVISED PER ECR-20-100866	26NOV2020	BDA	DL

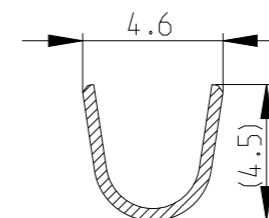


NOTE:

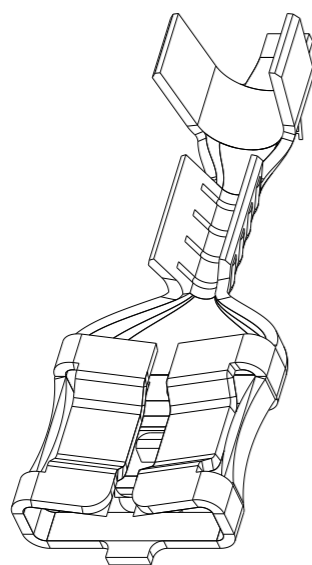
1. CONTINUOUS STRIP ON REELS
2. MATING TAB ACCORDING TO UL310 AND IEC61210 NORM. (WIDTH\*THICKNESS IS 6.3\*0.8mm)
3. WIRE RANGE IS #24-#20 AWG(0.2-0.52 sqmm)
4. INSULATION RANGE IS  $\varnothing$ 1.4-2.1mm
5. CUT-OFF TAB LENGTH 0.5mm MAX.




SECTION E-E



SECTION B-B



Pre-NICKEL	Steel	2178438-1
FINISH	MATERIAL	PART NO.

THIS DRAWING IS A CONTROLLED DOCUMENT.		DWN VIBHUTHI 29NOV2012	 TE Connectivity				
DIMENSIONS: mm		CHK SUBHASH M 29NOV2012					
TOLERANCES UNLESS OTHERWISE SPECIFIED:		APVD SURESH T N 29NOV2012					
0 PLC $\pm 0.5$ 1 PLC $\pm 0.5$ 2 PLC $\pm 0.25$ 3 PLC $\pm$ 4 PLC $\pm$ ANGLES $\pm 1^\circ$		NAME 6.3 SRS F-SPRING LIF RECEPTACLE					
MATERIAL SEE TABLE		FINISH SEE TABLE	PRODUCT SPEC 108-64027	SIZE A3	CAGE CODE 00779	DRAWING NO C=2178438	RESTRICTED TO
			APPLICATION SPEC 114-64027	SCALE 4:1		SHEET 1 OF 1	REV C
			WEIGHT -	CUSTOMER DRAWING			