

CM2006

Praetorian[®] L-C LCD and Camera EMI Filter Array with ESD Protection

Product Description

The CM2006 connects between the VGA or DVI-I port connector and the internal analog or digital flat panel controller logic. The CM2006 incorporates ESD protection for all signals, level shifting for the DDC signals and buffering for the SYNC signals. ESD protection for the video, DDC and SYNC lines is implemented with low-capacitance current steering diodes.

All connector interface pins are designed to safely handle the high current spikes specified by IEC-61000-4-2 Level 4 (± 8 kV contact discharge). The ESD protection for the DDC, SYNC and VIDEO signal pins is designed to prevent “backdrive current” when the device is powered down while connected to a video source that is powered up.

Separate positive supply rails are provided for the VIDEO / SYNC signals and DDC signals to facilitate interfacing with low voltage video controller ICs and microcontrollers to provide design flexibility in multi-supply-voltage environments.

Two Schmitt-triggered non-inverting buffers redrive and condition the HSYNC and VSYNC signals from the video connector (SYNC1, SYNC2). These buffers accept VESA VSI compliant TTL input signals and convert them to CMOS output levels that swing between ground and V_{CC} .

Two N-channel MOSFETs provide the level shifting function required when the DDC controller or EDID EEPROM is operated at a lower supply voltage than the monitor. The gate terminals for these MOSFETs (V_{CC_DDC}) should be connected to the supply rail (typically 3.3 V, 2.5 V, etc.) that supplies power to the transceivers of the DDC controller.

Features

- Includes ESD Protection, Level-Shifting, Buffering and Sync Impedance Matching
- VESA VSI Version 1 Revision 2 Compatible Interface
- Supports Optional NAVI Signalling Requirements
- 7 Channels of ESD Protection for all VGA Port Connector Pins. All Pins Meet IEC-61000-4-2 Level 4 ESD Requirements (± 8 kV Contact Discharge)
- Very Low Loading Capacitance from ESD Protection Diodes on VIDEO Lines (3 pF Maximum)
- Schmitt-Triggered Input Buffers for HSYNC and VSYNC Lines
- These Devices are Pb-Free and are RoHS Compliant

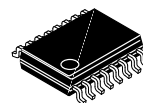
Applications

- VGA and DVI-I Ports in:
 - ◆ Monitors
 - ◆ TVs



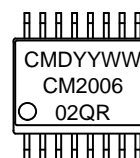
ON Semiconductor[®]

www.onsemi.com



QSOP16
QR SUFFIX
CASE 492

MARKING DIAGRAM



CM2006-02QR = Specific Device Code
YY = Year
WW = Work Week

ORDERING INFORMATION

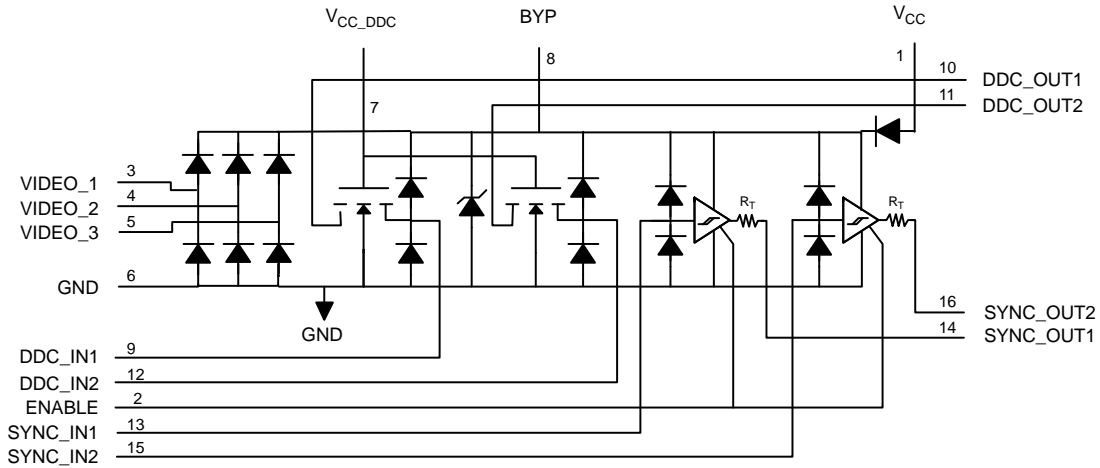
| Device | Package | Shipping [†] |
|-------------|-------------------|-----------------------|
| CM2006-02QR | QSOP-16 (Pb-Free) | 2500/Tape & Reel |

[†]For information on tape and reel specifications, including part orientation and tape sizes, please refer to our Tape and Reel Packaging Specification Brochure, BRD8011/D.

- Bidirectional Level Shifting N-Channel FETs Provided for DDC_CLK & DDC_DATA Channels
- Backdrive Protection on all Lines
- Compact 16-Lead QSOP Package

CM2006

ELECTRICAL SCHEMATIC



PACKAGE / PINOUT DIAGRAM

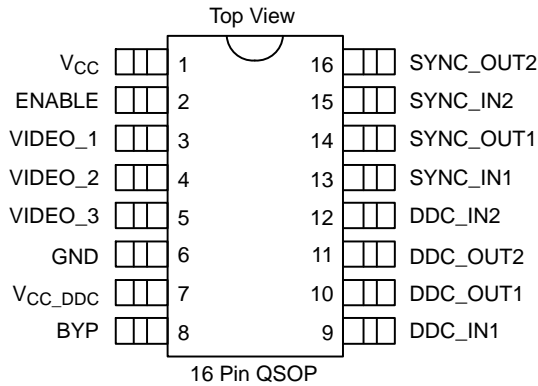


Table 1. PIN DESCRIPTIONS

| Lead(s) | Name | Description |
|---------|---------------------|---|
| 1 | V _{CC} | This is a supply input for the SYNC_1 and SYNC_2 level shifters, video protection and the DDC circuits. |
| 2 | ENABLE | Active high enable. Disables the Sync buffer outputs when low. |
| 3 | VIDEO_1 | Video signal ESD protection channel. This pin is typically tied one of the video lines between the controller device and the video connector. |
| 4 | VIDEO_2 | Video signal ESD protection channel. This pin is typically tied one of the video lines between the controller device and the video connector. |
| 5 | VIDEO_3 | Video signal ESD protection channel. This pin is typically tied one of the video lines between the controller device and the video connector. |
| 6 | GND | Ground reference supply pin. |
| 7 | V _{CC_DDC} | This is an isolated supply input for the DDC_1 and DDC_2 level-shifting N-FET gates. |
| 8 | BYP | An external 0.22 μ F bypass capacitor is required on this pin. |
| 9 | DDC_IN1 | DDC signal input. Connects to the video connector side of one of the DDC lines.signal output. |
| 10 | DDC_OUT1 | DDC signal output. Connects to the monitor DDC logic. |
| 11 | DDC_OUT | DDC signal output. Connects to the monitor DDC logic. |
| 12 | DDC_IN2 | DDC signal input. Connects to the video connector side of one of the DDC lines |
| 13 | SYNC_IN1 | Sync signal buffer input. Connects to the video connector side of one of the sync lines. |
| 14 | SYNC_OUT1 | Sync signal buffer output. Connects to the monitor SYNC logic. |
| 15 | SYNC_IN2 | Sync signal buffer input. Connects to the video connector side of one of the sync lines. |
| 16 | SYNC_OUT2 | Sync signal buffer output. Connects to the monitor SYNC logic. |

CM2006

SPECIFICATIONS

Table 2. ABSOLUTE MAXIMUM RATINGS

| Parameter | Rating | Units |
|---|--|-------|
| V_{CC_DDC} and V_{CC} Supply Voltage Inputs | [GND – 0.5] to +6.0 | V |
| DC Voltage at Inputs VIDEO_1, VIDEO_2, VIDEO_3 DDC_IN1, DDC_IN2 DDC_OUT1, DDC_OUT2 SYNC_IN1, SYNC_IN2, ENABLE | [GND – 0.5] to [$V_{CC} + 0.5$] [GND – 0.5] to 6.0 [GND – 0.5] to 6.0 [GND – 0.5] to [$V_{CC} + 0.5$] | V |
| Operating Temperature Range | –40 to +85 | °C |
| Storage Temperature Range | –40 to +150 | °C |
| Package Power Rating ($T_A = 25^\circ\text{C}$) | 500 | mW |

Stresses exceeding those listed in the Maximum Ratings table may damage the device. If any of these limits are exceeded, device functionality should not be assumed, damage may occur and reliability may be affected.

Table 3. STANDARD OPERATING CONDITIONS

| Parameter | Rating | Units |
|-----------------------------|------------|-------|
| Operating Temperature Range | –40 to +85 | °C |
| V_{CC} | 5 | V |

Functional operation above the stresses listed in the Recommended Operating Ranges is not implied. Extended exposure to stresses beyond the Recommended Operating Ranges limits may affect device reliability.

CM2006

Table 4. ELECTRICAL OPERATING CHARACTERISTICS (Note 1)

| Symbol | Parameter | Conditions | Min | Typ | Max | Units |
|---------------------------------|---|---|-----|-----|------|-------|
| I _{CC_DDC} | V _{CC_DDC} Supply Current | V _{CC_DDC} = 5.0 V | | | 10 | μA |
| I _{CC} | V _{CC} Supply Current | V _{CC} = 5 V; SYNC inputs at GND or V _{CC} ; SYNC outputs unloaded | | | 1 | mA |
| | | V _{CC} = 5 V; SYNC inputs at 3.0 V; SYNC outputs unloaded | | | 2.0 | mA |
| V _F | ESD Diode Forward Voltage | I _F = 10 mA | | | 1.0 | V |
| V _{IH} | Logic High Input Voltage | V _{CC} = 5.0 V; (Note 2) | 2.0 | | | V |
| V _{IL} | Logic Low Input Voltage | V _{CC} = 5.0 V; (Note 2) | | | 0.5 | V |
| V _{HYS} | Hysteresis Voltage | V _{CC} = 5.0 V; (Note 2) | | 400 | | mV |
| V _{OH} | Logic High Output Voltage | I _{OH} = 0 mA, V _{CC} = 5.0 V; (Note 2) | 4.0 | | | V |
| V _{OL} | Logic Low Output Voltage | I _{OL} = 0 mA, V _{CC} = 5.0 V; (Note 2) | | | 0.15 | V |
| R _{OUT} | SYNC Driver Output Resistance | V _{CC} = 5.0 V; SYNC Inputs at GND or 3.0 V | 7 | 15 | 24 | Ω |
| I _{IN} | Input Current VIDEO Inputs | V _{CC} = 5.0 V; V _{IN} = V _{CC} or GND | | | ±10 | μA |
| | SYNC_IN1, SYNC_IN2 Inputs | V _{CC} = 5.0 V; V _{IN} = V _{CC} or GND | | | ±10 | μA |
| I _{OFF} | Level Shifting N-MOSFET "OFF" State Leakage Current | (V _{CC_DDC} - V _{DDC_IN}) < 0.4 V; V _{DDC_OUT} = V _{CC_DDC} | | | 10 | μA |
| | | (V _{CC_DDC} - V _{DDC_OUT}) < 0.4 V; V _{DDC_IN} = V _{CC_DDC} | | | 10 | μA |
| I _{BACKDRIVE} | Current conducted from input pins when V _{CC} is powered down. | V _{CC} < V _{INPUT_PIN} ; (Note 5) | | 10 | | μA |
| V _{ON} | Voltage Drop Across Level-shifting N-MOSFET when "ON" | V _{CC_DDC} = 2.5 V; V _S = GND; I _{DS} = 3 mA | | | 0.18 | V |
| C _{IN_VID} | VIDEO Input Capacitance | V _{CC} = 5.0 V; V _{IN} = 2.5 V; f = 1 MHz | | | 3 | pF |
| | | V _{CC} = 2.5 V; V _{IN} = 1.25 V; f = 1 MHz | | | 3.5 | pF |
| t _{PLH} | SYNC Driver L => H Propagation Delay | C _L = 50 pF; V _{CC} = 5.0 V; Input t _R and t _F < 5 ns | | | 12 | ns |
| t _{PHL} | SYNC Driver H => L Propagation Delay | C _L = 50 pF; V _{CC} = 5.0 V; Input t _R and t _F < 5 ns | | | 12 | ns |
| t _R , t _F | SYNC Driver Output Rise & Fall Times | C _L = 50 pF; V _{CC} = 5.0 V; Input t _R and t _F < 5 ns | | 3 | | ns |
| V _{ESD1} | ESD Withstand Voltage, Sync_out pins only | V _{CC} = 5 V; (Notes 3 and 4) | ±2 | | | kV |
| V _{ESD} | ESD Withstand Voltage | V _{CC} = 5 V; (Notes 3 and 5) | ±8 | | | kV |

Product parametric performance is indicated in the Electrical Characteristics for the listed test conditions, unless otherwise noted. Product performance may not be indicated by the Electrical Characteristics if operated under different conditions.

1. All parameters specified over standard operating conditions unless otherwise noted.
2. These parameters apply only to the SYNC drivers. Note that R_{OUT} = R_T + R_{BUFFER}.
3. Per the IEC-61000-4-2 International ESD Standard, Level 4 contact discharge method. BYP and V_{CC} must be bypassed to GND via a low impedance ground plane with a 0.22 μF, low inductance, chip ceramic capacitor at each supply pin. ESD pulse is applied between the applicable pins and GND. ESD pulses can be positive or negative with respect to GND. Applicable pins are: VIDEO_1, VIDEO_2, VIDEO_3, SYNC_IN1, SYNC_IN2, DDC_IN1 and DDC_IN2. All pins are ESD protected to the industry standard ±2 kV Human Body Model (MIL-STD-883, Method 3015).
4. This specification applies to the SYNC_OUT pins only.
5. Applicable pins are: VIDEO_1, VIDEO_2, VIDEO_3, SYNC_IN1, SYNC_IN2, DDC_IN1 and DDC_IN2.

APPLICATION INFORMATION

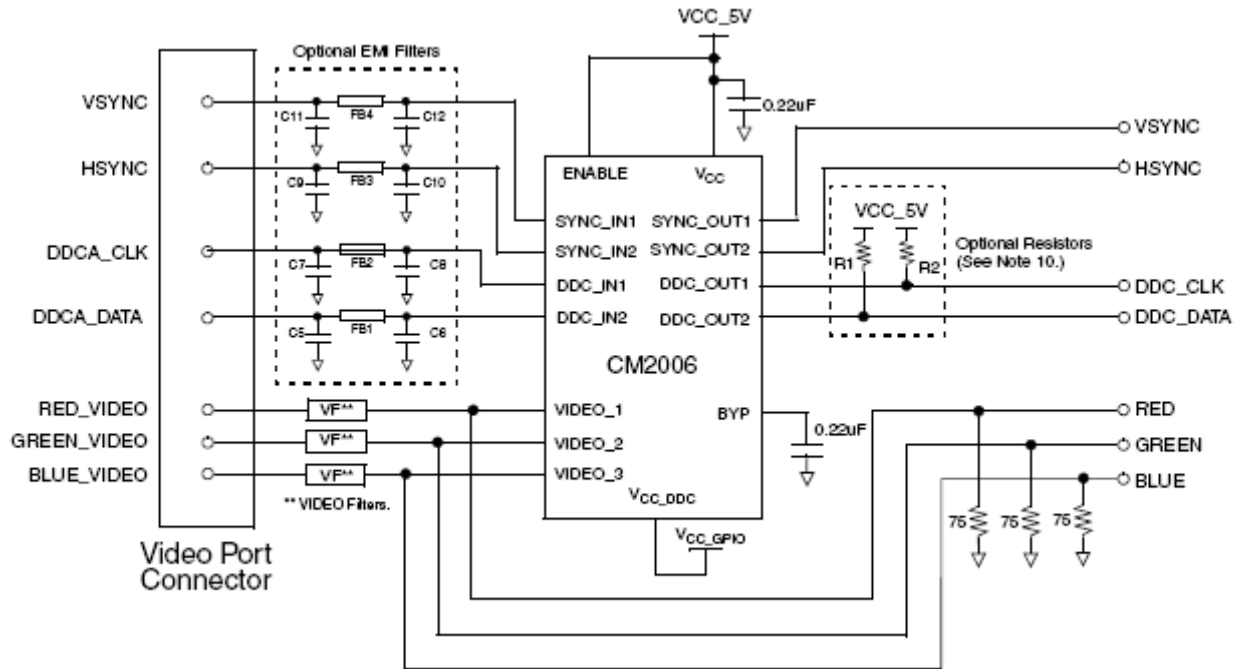


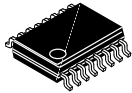
Figure 1. Typical Application Connection Diagram

NOTES:

1. The CM2006 should be placed as close to the VGA or DVI-I connector as possible.
2. The ESD protection channels VIDEO_1, VIDEO_2, VIDEO_3 may be used interchangeably between the R, G, B signals.
3. If differential video signal routing is used, the RED, BLUE, and GREEN signal lines should be terminated with external 37.5 Ω resistors.
4. “VF” are external video filters for the RGB signals.
5. Supply bypass capacitors C1 and C2 must be placed immediately adjacent to the corresponding Vcc pins. Connections to the Vcc pins and ground plane must be made with minimal length copper traces (preferably less than 5 mm) for best ESD protection.
6. The bypass capacitor for the BYP pin has been omitted in this diagram. This results in a reduction in the maximum ESD withstand voltage at the DDC_OUT pins from ± 8 kV to ± 2 kV. If 8 kV ESD protection is required, a 0.22 μ F ceramic bypass capacitor should be connected between BYP and ground.
7. The SYNC buffers may be used interchangeably between HSYNC and VSYNC.
8. The EMI filters at the SYNC_OUT and DDC_OUT pins (C5 to C12, and Ferrite Beads FB1 to FB4) are for reference only. The component values and filter configuration may be changed to suit the application.
9. The DDC level shifters DDC_IN, DDC_OUT, may be used interchangeably between DDCA_CLK and DDCA_DATA.
10. R1, R2 are optional. They may be used, if required, to pull the DDC_CLK and DDC_DATA lines to VCC_5V when no VGA card is connected to the VGA monitor. If used, it should be noted that “back current” may flow between the DDC pins and VCC_5V via these resistors when VCC_5V is powered down.

MECHANICAL CASE OUTLINE PACKAGE DIMENSIONS

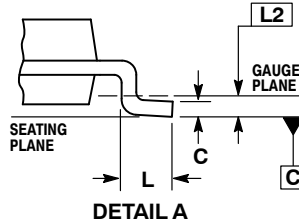
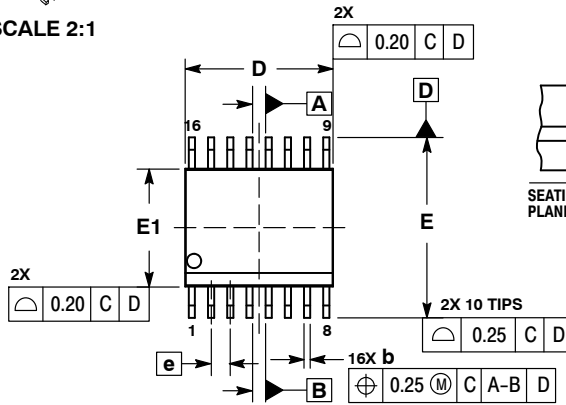
ON Semiconductor®



SCALE 2:1

QSOP16 CASE 492-01 ISSUE A

DATE 23 MAR 2011

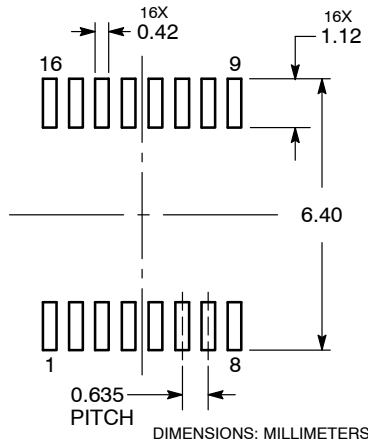


NOTES:

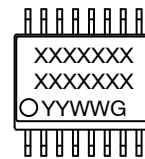
1. DIMENSIONING AND TOLERANCING PER ASME Y14.5M, 1994.
2. CONTROLLING DIMENSION: MILLIMETERS.
3. DIMENSION b DOES NOT INCLUDE DAMBAR PROTRUSION.
4. DIMENSION D DOES NOT INCLUDE MOLD FLASH, PROTRUSIONS, OR GATE BURRS. MOLD FLASH, PROTRUSIONS, OR GATE BURRS SHALL NOT EXCEED 0.005 PER SIDE. DIMENSION E1 DOES NOT INCLUDE INTERLEAD FLASH OR PROTRUSION. INTERLEAD FLASH OR PROTRUSION SHALL NOT EXCEED 0.005 PER SIDE. D AND E1 ARE DETERMINED AT DATUM H.
5. DATUMS A AND B ARE DETERMINED AT DATUM H.

| DIM | INCHES | | MILLIMETERS | |
|-----|-----------|-------|-------------|------|
| | MIN | MAX | MIN | MAX |
| A | 0.053 | 0.069 | 1.35 | 1.75 |
| A1 | 0.004 | 0.010 | 0.10 | 0.25 |
| A2 | 0.049 | ---- | 1.24 | ---- |
| b | 0.008 | 0.012 | 0.20 | 0.30 |
| c | 0.007 | 0.010 | 0.19 | 0.25 |
| D | 0.193 BSC | | 4.89 BSC | |
| E | 0.237 BSC | | 6.00 BSC | |
| E1 | 0.154 BSC | | 3.90 BSC | |
| e | 0.025 BSC | | 0.635 BSC | |
| h | 0.009 | 0.020 | 0.22 | 0.50 |
| L | 0.016 | 0.050 | 0.40 | 1.27 |
| L2 | 0.010 BSC | | 0.25 BSC | |
| M | 0° | 8° | 0° | 8° |

SOLDERING FOOTPRINT



GENERIC MARKING DIAGRAM*



- XXXXXX = Specific Device Code
- YY = Year
- WW = Work Week
- G = Pb-Free Package

*This information is generic. Please refer to device data sheet for actual part marking. Pb-Free indicator, "G", may or not be present.

| | | |
|-------------------------|--------------------|--|
| DOCUMENT NUMBER: | 98AON04472D | Electronic versions are uncontrolled except when accessed directly from the Document Repository. Printed versions are uncontrolled except when stamped "CONTROLLED COPY" in red. |
| DESCRIPTION: | QSOP16 | PAGE 1 OF 1 |

ON Semiconductor and are trademarks of Semiconductor Components Industries, LLC dba ON Semiconductor or its subsidiaries in the United States and/or other countries. ON Semiconductor reserves the right to make changes without further notice to any products herein. ON Semiconductor makes no warranty, representation or guarantee regarding the suitability of its products for any particular purpose, nor does ON Semiconductor assume any liability arising out of the application or use of any product or circuit, and specifically disclaims any and all liability, including without limitation special, consequential or incidental damages. ON Semiconductor does not convey any license under its patent rights nor the rights of others.

onsemi, **Onsemi**, and other names, marks, and brands are registered and/or common law trademarks of Semiconductor Components Industries, LLC dba "**onsemi**" or its affiliates and/or subsidiaries in the United States and/or other countries. **onsemi** owns the rights to a number of patents, trademarks, copyrights, trade secrets, and other intellectual property. A listing of **onsemi**'s product/patent coverage may be accessed at www.onsemi.com/site/pdf/Patent-Marking.pdf. **onsemi** reserves the right to make changes at any time to any products or information herein, without notice. The information herein is provided "as-is" and **onsemi** makes no warranty, representation or guarantee regarding the accuracy of the information, product features, availability, functionality, or suitability of its products for any particular purpose, nor does **onsemi** assume any liability arising out of the application or use of any product or circuit, and specifically disclaims any and all liability, including without limitation special, consequential or incidental damages. Buyer is responsible for its products and applications using **onsemi** products, including compliance with all laws, regulations and safety requirements or standards, regardless of any support or applications information provided by **onsemi**. "Typical" parameters which may be provided in **onsemi** data sheets and/or specifications can and do vary in different applications and actual performance may vary over time. All operating parameters, including "Typicals" must be validated for each customer application by customer's technical experts. **onsemi** does not convey any license under any of its intellectual property rights nor the rights of others. **onsemi** products are not designed, intended, or authorized for use as a critical component in life support systems or any FDA Class 3 medical devices or medical devices with a same or similar classification in a foreign jurisdiction or any devices intended for implantation in the human body. Should Buyer purchase or use **onsemi** products for any such unintended or unauthorized application, Buyer shall indemnify and hold **onsemi** and its officers, employees, subsidiaries, affiliates, and distributors harmless against all claims, costs, damages, and expenses, and reasonable attorney fees arising out of, directly or indirectly, any claim of personal injury or death associated with such unintended or unauthorized use, even if such claim alleges that **onsemi** was negligent regarding the design or manufacture of the part. **onsemi** is an Equal Opportunity/Affirmative Action Employer. This literature is subject to all applicable copyright laws and is not for resale in any manner.

PUBLICATION ORDERING INFORMATION

LITERATURE FULFILLMENT:

Email Requests to: orderlit@onsemi.com

onsemi Website: www.onsemi.com

TECHNICAL SUPPORT

North American Technical Support:

Voice Mail: 1 800-282-9855 Toll Free USA/Canada

Phone: 011 421 33 790 2910

Europe, Middle East and Africa Technical Support:

Phone: 00421 33 790 2910

For additional information, please contact your local Sales Representative