

CKG57NX5R1E476M500JH

TDK item description : CKG57NX5R1E476MT***

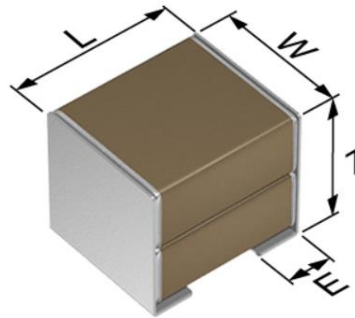


Application & Main Feature

Commercial grade (MEGACAP)

Series

CKG57N(5750) [EIA 2220]



Dimensions

L 6.00±0.50 mm
 W 5.00±0.50 mm
 T 5.00±0.50 mm
 E 1.60±0.30 mm

Temperature Characteristic

X5R (-55 to +85 degC, ±15%)

Rated Voltage

1E (25Vdc)

Capacitance

47µF

Capacitance Tolerance

M (±20%)

DF

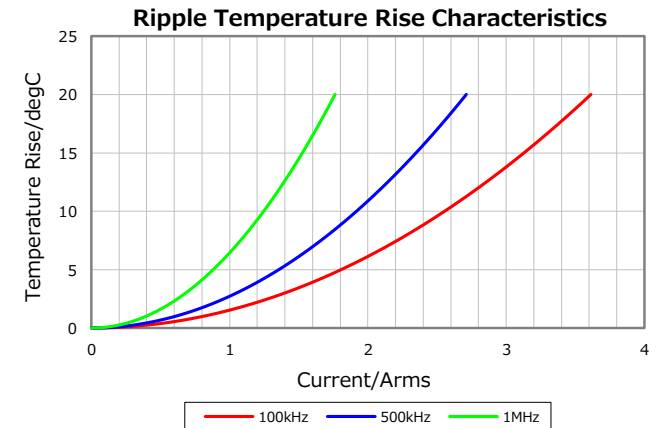
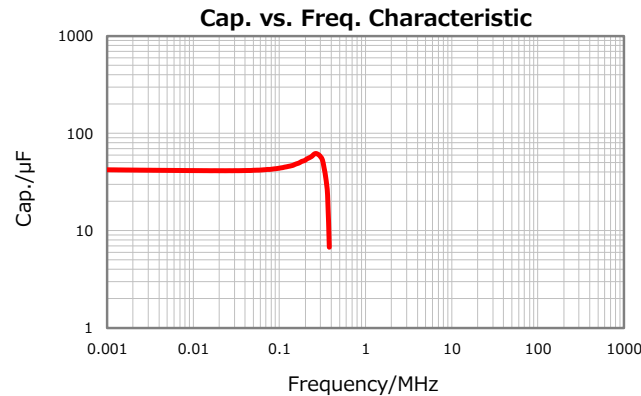
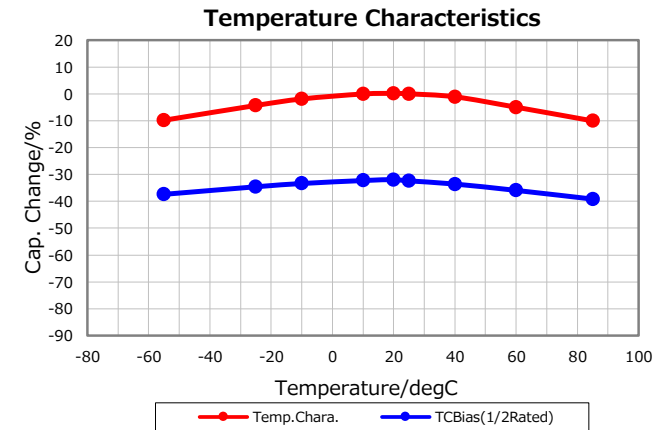
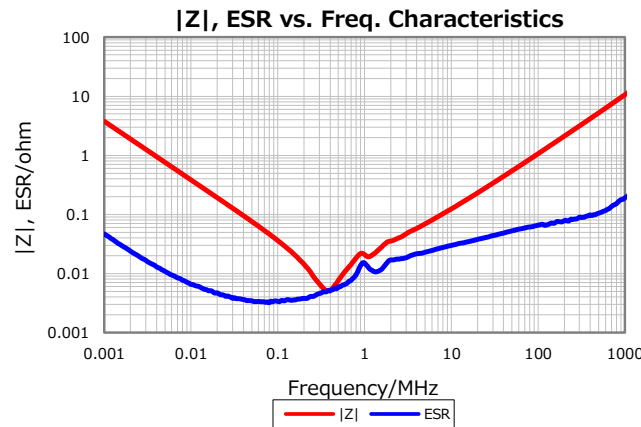
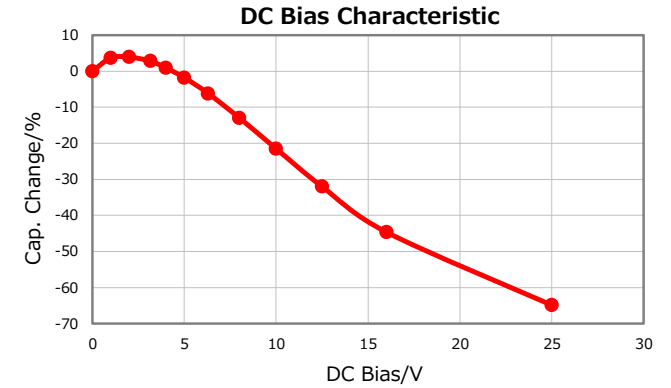
5 % max.

Insulation Resistance

10 Mohm min.

AEC-Q200

Not Applicable



Characterization Sheet (Multilayer Ceramic Chip Capacitors)



All specifications are subject to change without notice.

March 20, 2022