

Boost Controller with Dimming Control

General Description

The RT8525 is a wide input operating voltage range step up controller. High voltage output and large output current are feasible by using an external N-MOSFET. The RT8525 input operating range is from 4.5V to 29V.

The RT8525 is an optimized design for wide output voltage range applications. The output voltage of the RT8525 can be adjusted by the FB pin. The PWMI pin can be used as a digital input, allowing WLED brightness control with a logic-level PWM signal.

Ordering Information

RT8525□□

- Package Type
S : SOP-14
- Lead Plating System
G : Green (Halogen Free and Pb Free)

Note :

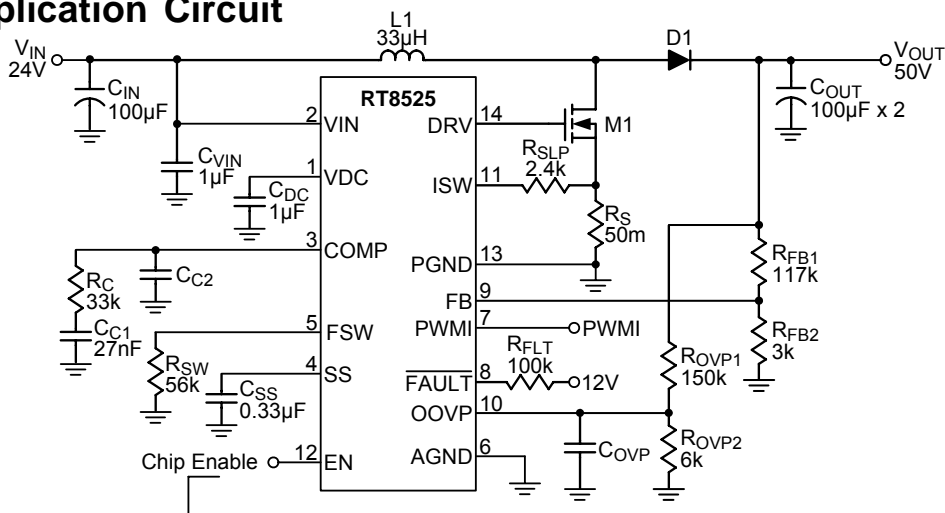
Richtek products are :

- ▶ RoHS compliant and compatible with the current requirements of IPC/JEDEC J-STD-020.
- ▶ Suitable for use in SnPb or Pb-free soldering processes.

Marking Information

RT8525 GSYMDNN •	RT8525GS : Product Number YMDNN : Date Code
------------------------	--

Typical Application Circuit



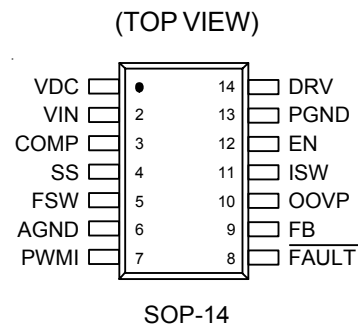
Features

- VIN Range : 4.5V to 29V
- Programmable Soft-Start Time
- Programmable Boost SW Frequency from 50kHz to 600kHz
- Output Over Voltage Protection
- Output Under Voltage Protection
- 14-Lead SOP Package
- RoHS Compliant and Halogen Free

Applications

- LCD TV, Monitor Display Backlight
- LED Driver Application

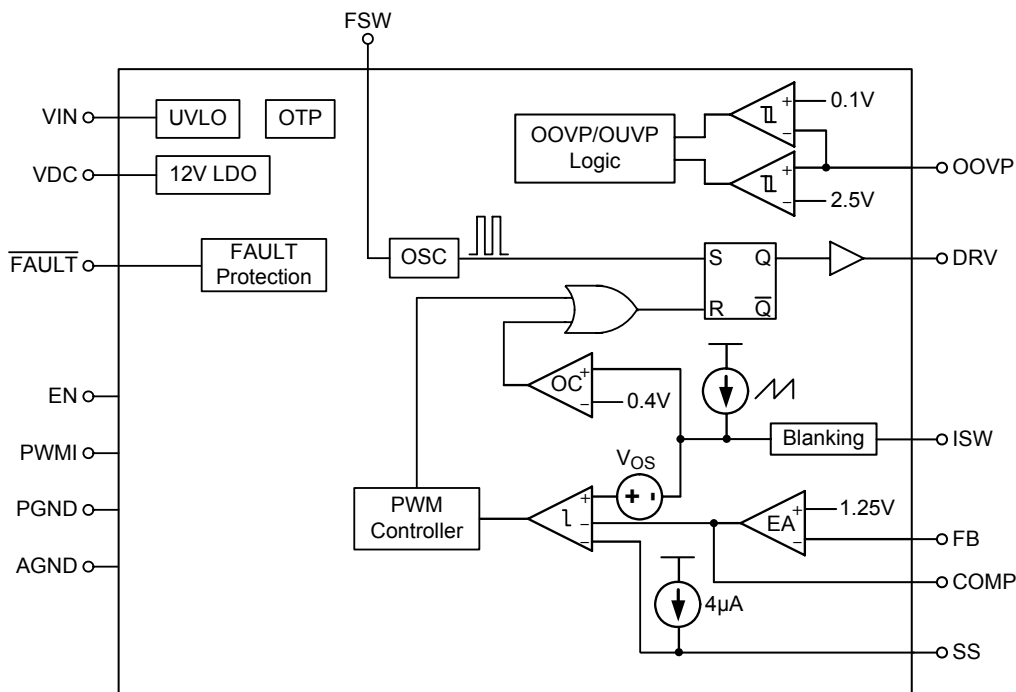
Pin Configurations



Functional Pin Description

Pin No.	Pin Name	Pin Function
1	VDC	Output of Internal Pre-Regulator.
2	VIN	IC Power Supply.
3	COMP	Compensation for Error Amplifier. Connect a compensation network to ground.
4	SS	External Capacitor to Adjust Soft-Start Time.
5	FSW	Frequency Adjust Pin. This pin allows setting the switching frequency with a resistor from 50kHz to 600kHz.
6	AGND	Analog Ground.
7	PWMI	External Digital Input for Dimming Function.
8	FAULT	Open Drain Output for Fault Detection.
9	FB	Feedback to Error Amplifier Input.
10	OOVP	Sense Output Voltage for Over Voltage Protection and Under Voltage Protection.
11	ISW	External MOSFET Switch Current Sense Pin. Connect the current sense resistor between the external N-MOSFET switch and ground.
12	EN	Chip Enable (Active High).
13	PGND	Power Ground of Boost Controller.
14	DRV	Drive Output for the N-MOSFET.

Function Block Diagram



Absolute Maximum Ratings (Note 1)

- VIN to GND ----- -0.3V to 32V
- VDC, DRV, $\overline{\text{FAULT}}$ to GND ----- -0.3V to 13.2V
- EN, COMP, SS, FSW, FB, OOVp, ISW, PWMI to GND ----- -0.3V to 6V
- Power Dissipation, P_D @ $T_A = 25^\circ\text{C}$
 - SOP-14 ----- 1.000W
- Package Thermal Resistance (Note 2)
 - SOP-14, θ_{JA} ----- 100°C/W
- Lead Temperature (Soldering, 10 sec.) ----- 260°C
- Junction Temperature ----- 150°C
- Storage Temperature Range ----- -65°C to 150°C
- ESD Susceptibility (Note 3)
 - HBM ----- 2kV
 - MM ----- 200V

Recommended Operating Conditions (Note 4)

- Supply Input Voltage, VIN ----- 4.5V to 29V
- Junction Temperature Range ----- -40°C to 125°C
- Ambient Temperature Range ----- -40°C to 85°C

Electrical Characteristics

(VIN = 21V, VOUT = 50V, TA = 25°C, unless otherwise specified)

Parameter	Symbol	Test Conditions	Min	Typ	Max	Unit	
Input Power Supply							
Quiescent Current	I _Q	No Switching, R _{SW} = 56kΩ	--	1.3	2	mA	
Shutdown Current	I _{SHDN}	V _{EN} = 0V	--	10	--	μA	
Under Voltage Lockout Threshold	V _{UVLO}	V _{IN} Rising	--	3.8	--	V	
Under Voltage Lockout Hysteresis	ΔV _{UVLO}		--	500	--	mV	
12V Regulator							
Regulator Output Voltage	V _{DC}	13.5V < V _{IN} < 16V, 1mA < I _{LOAD} < 100mA	11.4	12	12.6	V	
		16V < V _{IN} < 20V, 1mA < I _{LOAD} < 50mA					
		20V < V _{IN} < 29V, 1mA < I _{LOAD} < 20mA					
Dropout Voltage	V _{DROP}	V _{IN} - V _{DC} , V _{IN} = 12V, I _{LOAD} = 100mA	--	500	--	mV	
Short-Circuit Current Limit	I _{SC}	V _{DC} Short to GND	--	270	--	mA	
Control Input							
EN Threshold Voltage	Logic-High	V _{IH}	2	--	--	V	
	Logic-Low	V _{IL}	--	--	0.8		
EN Sink Current	I _{IH}	V _{EN} = 5V	--	5	--	μA	
Shutdown Delay	Sleeping Mode	t _{SLEEP}	R _{SW} = 56kΩ, EN = L, 12V Regular Shutdown		55	--	ms
	Shutdown Mode	t _{SHDN}	R _{SW} = 56kΩ, EN = L, IC Shutdown		110	--	ms

Parameter	Symbol	Test Conditions	Min	Typ	Max	Unit
Boost Controller						
Switching Frequency	f_{SW}	$R_{SW} = 56k\Omega$	--	200	--	kHz
Minimum On-Time	t_{MON}		--	250	--	ns
Maximum Duty	D_{MAX}	Switching	90	--	--	%
Feedback Voltage	V_{FB}		1.225	1.25	1.275	V
Slope Compensation						
Peak Magnitude of Slope Compensation Current	$I_{SLOPE, PK}$		--	50	--	μA
Soft-Start						
Soft-Start Current	I_{SS}		3	4	5	μA
Gate Driver						
DRV On-Resistance	$R_{DS(ON)_N}$	$I_{SINK} = 100mA$ (N-MOSFET)	--	1	--	Ω
	$R_{DS(ON)_P}$	$I_{SOURCE} = 100mA$ (P-MOSFET)	--	1.5	--	Ω
Peak Sink Current	I_{PEAKsk}	$C_{LOAD} = 1nF$	--	2.2	--	A
Peak Source Current	I_{PEAKsr}	$C_{LOAD} = 1nF$	--	2.55	--	A
Rise Time	t_r	$C_{LOAD} = 1nF$	--	6	--	ns
Fall Time	t_f	$C_{LOAD} = 1nF$	--	5	--	ns
PWM Dimming Control						
PWMI Threshold Voltage	Logic-High	V_{PWMI_H}	2	--	--	V
	Logic-Low	V_{PWMI_L}	--	--	0.8	
Protection Function						
OCP Threshold	V_{OCP}	Including Slope Compensation Magnitude	--	0.4	--	V
V_{OUT} OVP Threshold	V_{OVP}		2.375	2.5	2.625	V
V_{OUT} UVP Threshold	V_{UVP}		--	0.1	--	V
Thermal Shutdown Temperature	T_{SD}		--	150	--	$^{\circ}C$
Thermal Shutdown Hysteresis	ΔT_{SD}		--	50	--	$^{\circ}C$

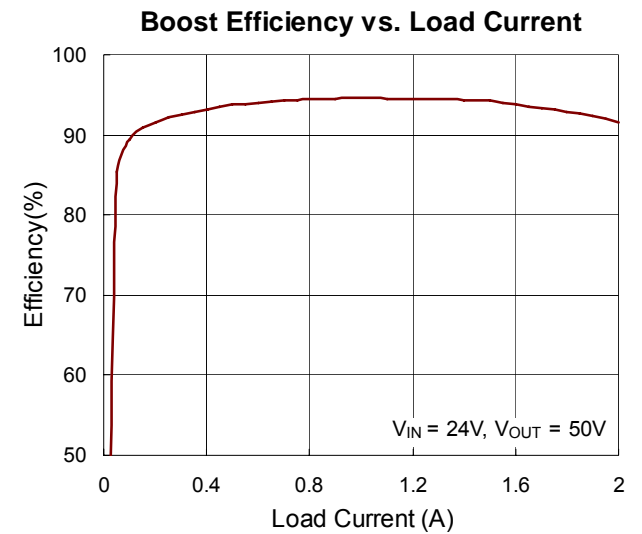
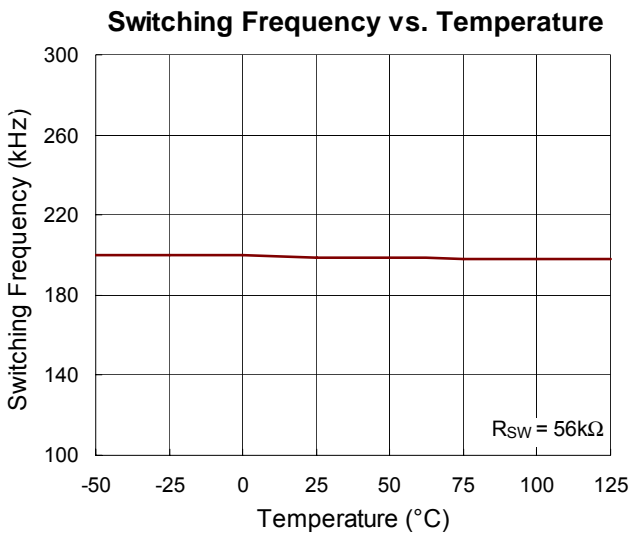
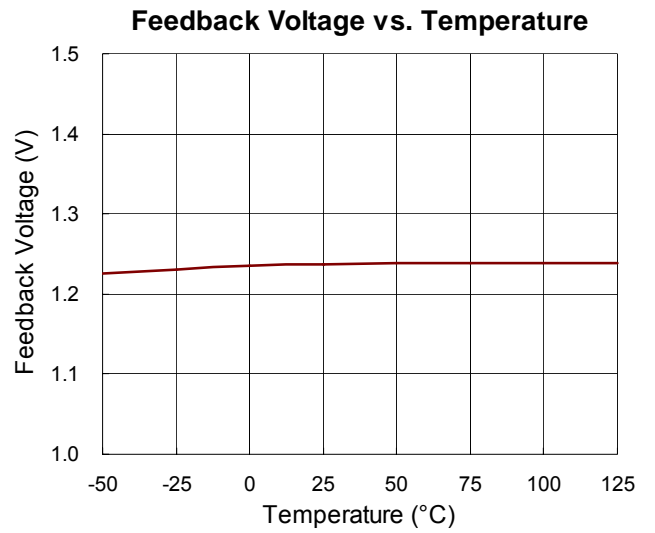
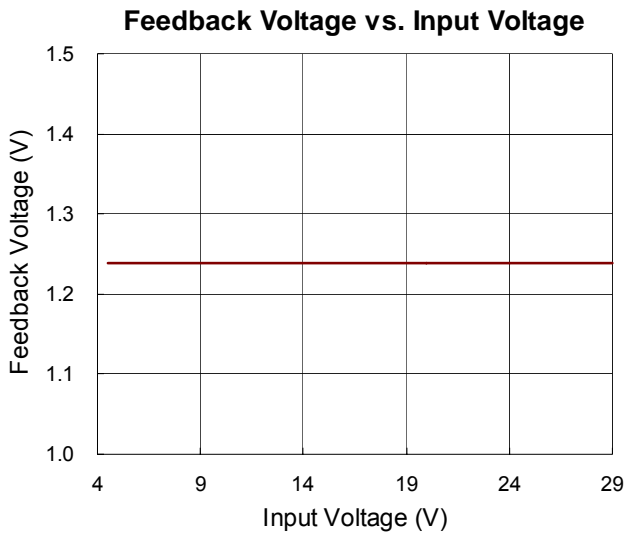
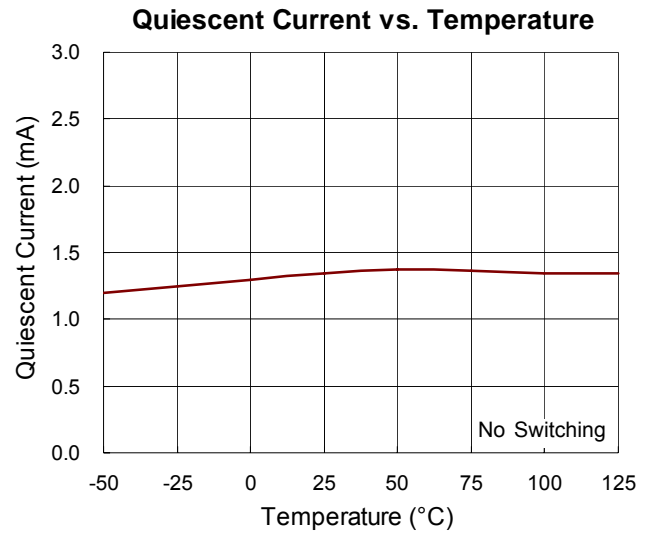
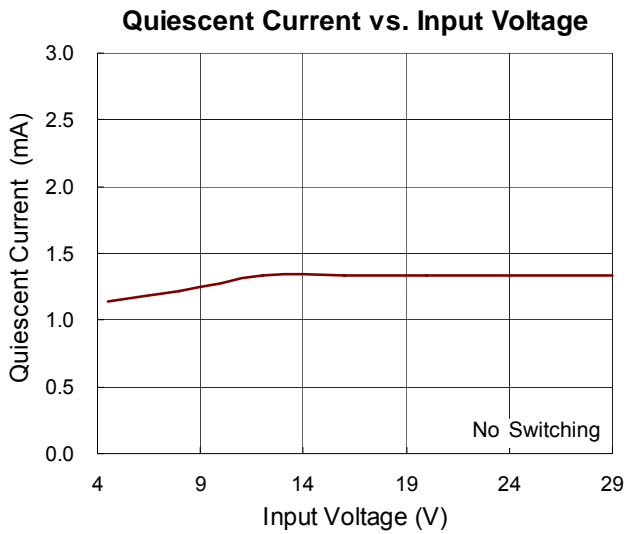
Note 1. Stresses beyond those listed “Absolute Maximum Ratings” may cause permanent damage to the device. These are stress ratings only, and functional operation of the device at these or any other conditions beyond those indicated in the operational sections of the specifications is not implied. Exposure to absolute maximum rating conditions may affect device reliability.

Note 2. θ_{JA} is measured at $T_A = 25^{\circ}C$ on a low effective thermal conductivity single-layer test board per JEDEC 51-3.

Note 3. Devices are ESD sensitive. Handling precaution is recommended.

Note 4. The device is not guaranteed to function outside its operating conditions..

Typical Operating Characteristics



Applications Information

The RT8525 is a wide input operating voltage range step up controller. High voltage output and large output current are feasible by using an external N-MOSFET. The protection functions include output over voltage, output under voltage, over temperature and current limiting protection.

Boost Output Voltage Setting

The regulated output voltage is set by an external resistor divider according to the following equation :

$$V_{OUT} = V_{FB} \times \left(1 + \frac{R_{FB1}}{R_{FB2}}\right), \text{ where } V_{FB} = 1.25V \text{ (typ.)}$$

The recommended value of R_{FB2} should be at least 1k Ω for saving sacrificing. Moreover, placing the resistor divider as close as possible to the chip can reduce noise sensitivity.

Boost Switching Frequency

The RT8525 boost driver switching frequency is able to be adjusted by a resistor R_{SW} ranging from 18k Ω to 220k Ω . The following figure illustrates the corresponding switching frequency within the resistor range.

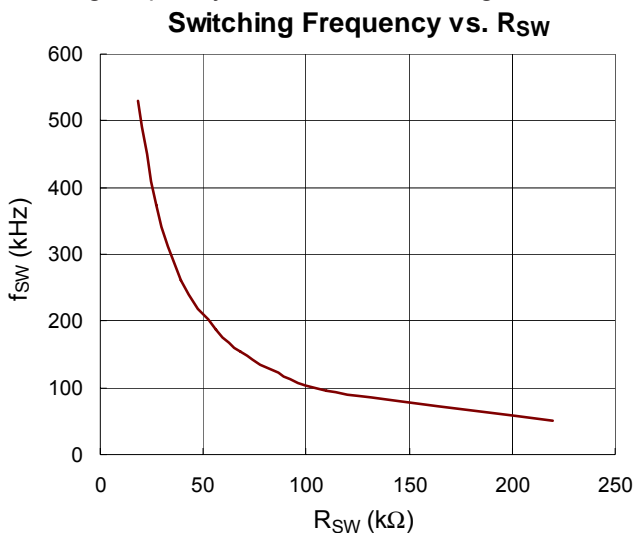


Figure 1. Boost Switching Frequency

Boost Loop Compensation

The voltage feedback loop can be compensated by an external compensation network consisted of R_C , C_{C1} and C_{C2} . Choose R_C to set high frequency gain for fast transient response. Select C_{C1} and C_{C2} to set the zero and pole to maintain loop stability. For typical application,

$V_{IN} = 24V$, $V_{OUT} = 50V$, $C_{OUT} = 100\mu F \times 2$, $L1 = 33\mu H$, while the recommended value for compensation is as follows : $R_C = 33k\Omega$, $C_{C1} = 27nF$.

Soft-Start

The soft-start of the RT8525 can be achieved by connecting a capacitor from the SS pin to GND. The built-in soft-start circuit reduces the start-up current spike and output voltage overshoot. The external capacitor charged by an internal 4 μA constant charging current determines the soft-start time. The SS pin limits the rising rate of the COMP pin voltage and thereby limits the peak switch current. The soft-start interval is set by the soft-start capacitor according to the following equation :

$$t_{SS} \cong C_{SS} \times 5 \times 10^5$$

A typical value for the soft-start capacitor is 0.33 μF . The soft-start capacitor is discharged when EN voltage falls below its threshold after shutdown delay or UVLO occurs.

Slope Compensation and Current Limiting

A slope compensation is applied to avoid sub-harmonic oscillation in current-mode control. The slope compensation voltage is generated by the internal ramp current flow through a slope compensation resistor R_{SLP} . The inductor current is sensed by the sensing resistor R_S . Both of them are added and presented on the ISW pin. The internal ramp current is rising linearly from zero at the beginning of each switching cycle to 50 μA in maximum on-time of each cycle. The slope compensation resistor R_{SLP} can be calculated by the following equation :

$$R_{SLP} > \frac{(V_{OUT} - V_{IN}) \times R_S}{2 \times L \times 50\mu \times f_{SW}}$$

where R_S is current sensing resistor, L is inductor value, and f_{SW} is boost switching frequency.

The current flow through inductor during charging period is detected by a sensing resistor R_S . Besides, the slope compensation voltage also attributes magnitude to ISW. As the voltage at the ISW pin is over 0.4V, the DRV will be pulled low and turn off the external N-MOSFET. So that the inductor will be forced to leave charging stage and enter discharging stage to prevent over current. The current limiting can be calculated by the following equation:

$$R_S < \frac{0.4 - D_{MAX} \times R_{SLP} \times 50\mu}{I_{L, PK}}$$

where $I_{L, PK}$ is peak inductor current, and D_{MAX} is maximum duty.

Output Over Voltage Protection

The output voltage can be clamped at the voltage level determined by the following equation :

$$V_{OUT (OOVP)} = V_{OOVP} \times \left(1 + \frac{R_{OVP1}}{R_{OVP2}}\right),$$

where $V_{OOVP} = 2.5V$ (typ.)

where R_{OVP1} and R_{OVP2} are the voltage divider connected to the OOVP pin.

Fault Protection

The \overline{FAULT} pin will be pulled low once a protection is triggered, and a suitable pulled-high R_{FLT} is required. The suggested R_{FLT} is 100kΩ if the pulled-high voltage was 12V. The following figure illustrates the fault protection function block. If one of the OUV and OTP occurs, the switch 1 will be turned on, and the voltage at node A will

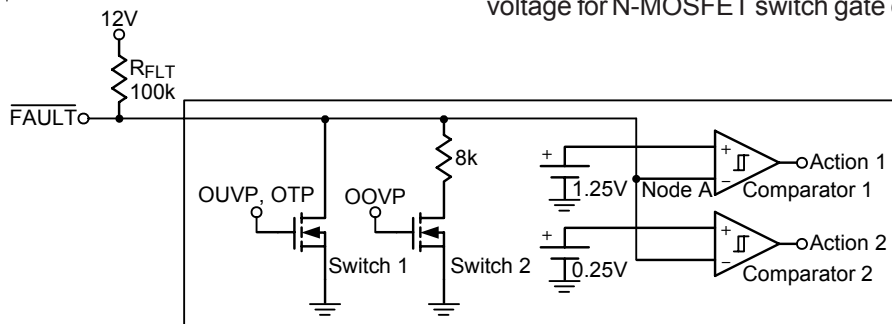


Figure 2. Fault Protection Function Block

Inductor Selection

The boundary value of the inductance L between Discontinuous Conduction Mode (DCM) and Continuous Conduction Mode (CCM) can be approximated by the following equation :

$$L = \frac{D \times (1-D)^2 \times V_{OUT}}{2 \times f_{sw} \times I_{OUT}}$$

where

V_{OUT} is the maximum output voltage,

V_{IN} is the minimum input voltage,

be under 0.25V. Then the protection function will perform action 2 to turn off the driver. When protection function is released, the RT8525 will re-start.

On the other hand, if the triggered protection is OOVP, the voltage at node A will be decided by voltage divider composed of R_{FLT} and the internal 8kΩ resistor. This voltage must be designed between 0.25V and 1.25V by choosing R_{FLT} appropriately. Once the OOVP turns on the Switch 2, the divided \overline{FAULT} voltage will activate action 1 to turn off the driver without resetting soft-start. Therefore, when protection function OOVP is released, the RT8525 will be in normal operation.

Power MOSFET Selection

For the applications operating at high output voltage, switching losses dominate the overall power loss. Therefore, the power N-MOSFET switch is typically chosen for drain voltage, VDS, rating and low gate charge. Consideration of switch on-resistance $R_{DS(ON)}$ is usually secondary. The VDC regulator in the RT8525 has a fixed output current limit to protect the IC and provide 12V DRV voltage for N-MOSFET switch gate driver.

f_{sw} is the operating frequency,

I_{OUT} is the sum of current from all LED strings,

and D is the duty cycle calculated by the following equation :

$$D = \frac{V_{OUT} - V_{IN}}{V_{OUT}}$$

The boost converter operates in DCM over the entire input voltage range if the inductor value is less than the boundary value L. With an inductance greater than L, the converter operates in CCM at the minimum input voltage and may transit to DCM at higher voltages. The inductor must be

selected with a saturated current rating greater than the peak current provided by the following equation :

$$I_{LPK} = \frac{V_{OUT} \times I_{OUT}}{\eta \times V_{IN}} + \frac{V_{IN} \times D \times T}{2 \times L}$$

where η is the efficiency of the power converter.

Diode Selection

Schottky diodes are recommended for most applications because of their fast recovery time and low forward voltage. The power dissipation, reverse voltage rating and pulsating peak current are the important parameters for Schottky diode selection. Make sure that the diode's peak current rating exceeds I_{LPK} , and reverse voltage rating exceeds the maximum output voltage.

Capacitor Selection

Output ripple voltage is an important index for estimating the performance. This portion consists of two parts, one is the product of input current and ESR of output capacitor, another part is formed by charging and discharging process of output capacitor. Refer to figure 3, evaluate ΔV_{OUT1} by ideal energy equalization. According to the definition of Q, the Q value can be calculated as following equation :

$$Q = \frac{1}{2} \times \left[\left(I_{IN} + \frac{1}{2} \Delta I_L - I_{OUT} \right) + \left(I_{IN} - \frac{1}{2} \Delta I_L - I_{OUT} \right) \right] \times \frac{V_{IN}}{V_{OUT}}$$

$$\times \frac{1}{f_{SW}} = C_{OUT} \times \Delta V_{OUT1}$$

where f_{SW} is the switching frequency, and ΔI_L is the inductor ripple current. Move C_{OUT} to the left side to estimate the value of ΔV_{OUT1} as the following equation :

$$\Delta V_{OUT1} = \frac{D \times I_{OUT}}{\eta \times C_{OUT} \times f_{SW}}$$

Finally, by taking ESR into consideration, the overall output ripple voltage can be determined as the following equation :

$$\Delta V_{OUT} = I_{IN} \times ESR + \frac{D \times I_{OUT}}{\eta \times C_{OUT} \times f_{SW}}$$

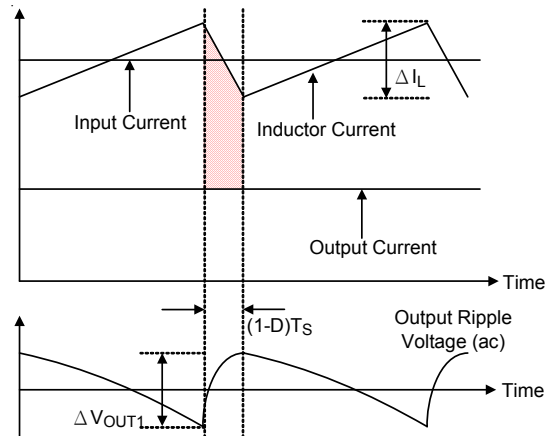


Figure 3. The Output Ripple Voltage without the Contribution of ESR

Thermal Considerations

For continuous operation, do not exceed absolute maximum junction temperature. The maximum power dissipation depends on the thermal resistance of the IC package, PCB layout, rate of surrounding airflow, and difference between junction and ambient temperature. The maximum power dissipation can be calculated by the following formula :

$$P_{D(MAX)} = (T_{J(MAX)} - T_A) / \theta_{JA}$$

where $T_{J(MAX)}$ is the maximum junction temperature, T_A is the ambient temperature, and θ_{JA} is the junction to ambient thermal resistance.

For recommended operating condition specifications, the maximum junction temperature is 125°C. The junction to ambient thermal resistance, θ_{JA} , is layout dependent. For SOP-14 packages, the thermal resistance, θ_{JA} , is 100°C/W on a standard JEDEC 51-3 single-layer thermal test board. The maximum power dissipation at $T_A = 25^\circ\text{C}$ can be calculated by the following formula :

$$P_{D(MAX)} = (125^\circ\text{C} - 25^\circ\text{C}) / (100^\circ\text{C}/\text{W}) = 1.000\text{W for SOP-14 package}$$

The maximum power dissipation depends on the operating ambient temperature for fixed $T_{J(MAX)}$ and thermal resistance, θ_{JA} . The derating curve in Figure 4 allows the designer to see the effect of rising ambient temperature on the maximum power dissipation.

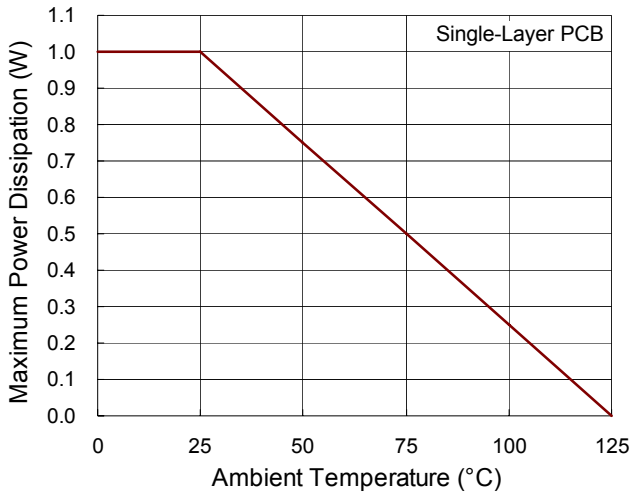


Figure 4. Derating Curve of Maximum Power Dissipation

Layout Considerations

PCB layout is very important for designing switching power converter circuits. The following layout guides should be strictly followed for best performance of the RT8525.

- ▶ The power components L_1 , D_1 , C_{IN} , C_{OUT} , M_1 and R_s must be placed as close as possible to reduce current loop. The PCB trace between power components must be as short and wide as possible.
- ▶ Place components R_{FB1} , R_{FB2} , R_{OVP1} and R_{OVP2} close to IC as possible. The trace should be kept away from the power loops and shielded with a ground trace to prevent any noise coupling.
- ▶ The compensation circuit should be kept away from the power loops and should be shielded with a ground trace to prevent any noise coupling. Place the compensation components to the COMP pin as close as possible, no matter the compensation is R_C , C_{C1} or C_{C2} .

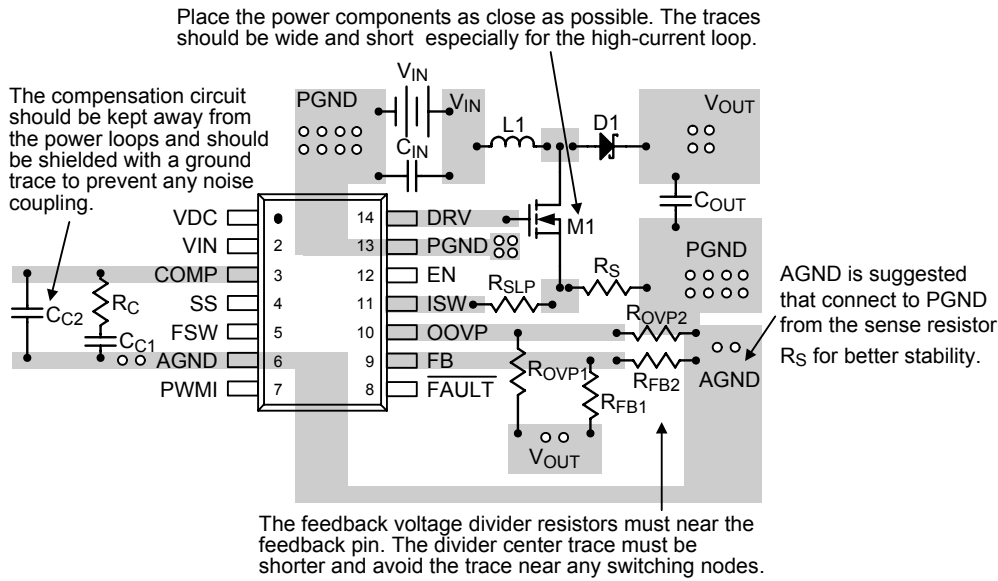
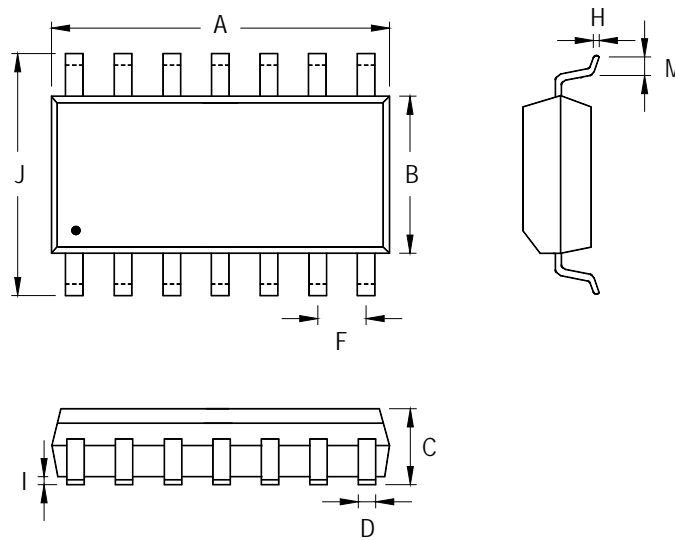


Figure 5. PCB Layout Guide

Outline Dimension



Symbol	Dimensions In Millimeters		Dimensions In Inches	
	Min	Max	Min	Max
A	8.534	8.738	0.336	0.344
B	3.810	3.988	0.150	0.157
C	1.346	1.753	0.053	0.069
D	0.330	0.508	0.013	0.020
F	1.194	1.346	0.047	0.053
H	0.178	0.254	0.007	0.010
I	0.102	0.254	0.004	0.010
J	5.791	6.198	0.228	0.244
M	0.406	1.270	0.016	0.050

14-Lead SOP Plastic Package

Richtek Technology Corporation

5F, No. 20, Taiyuen Street, Chupei City
 Hsinchu, Taiwan, R.O.C.
 Tel: (8863)5526789

Richtek products are sold by description only. Richtek reserves the right to change the circuitry and/or specifications without notice at any time. Customers should obtain the latest relevant information and data sheets before placing orders and should verify that such information is current and complete. Richtek cannot assume responsibility for use of any circuitry other than circuitry entirely embodied in a Richtek product. Information furnished by Richtek is believed to be accurate and reliable. However, no responsibility is assumed by Richtek or its subsidiaries for its use; nor for any infringements of patents or other rights of third parties which may result from its use. No license is granted by implication or otherwise under any patent or patent rights of Richtek or its subsidiaries.