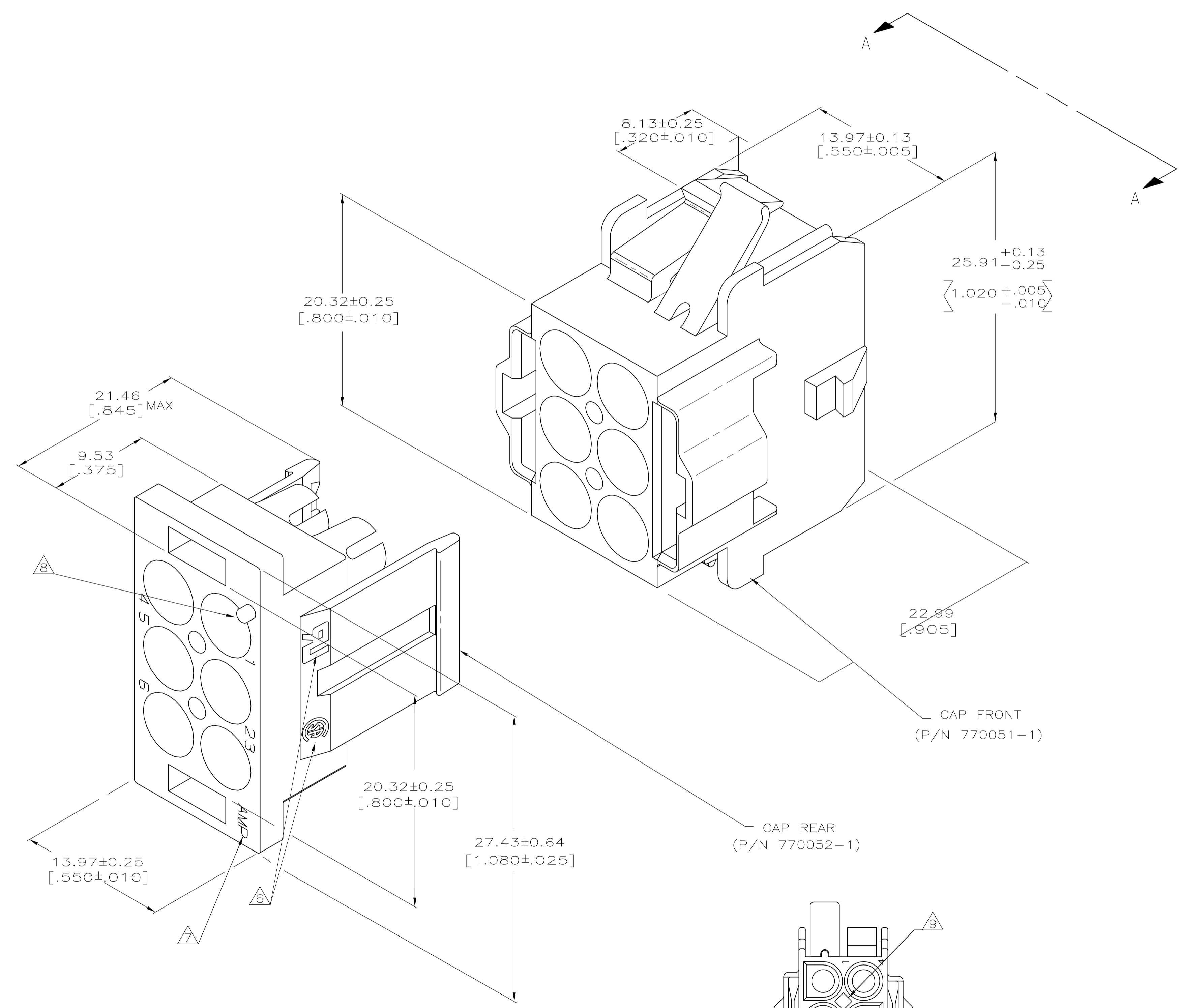
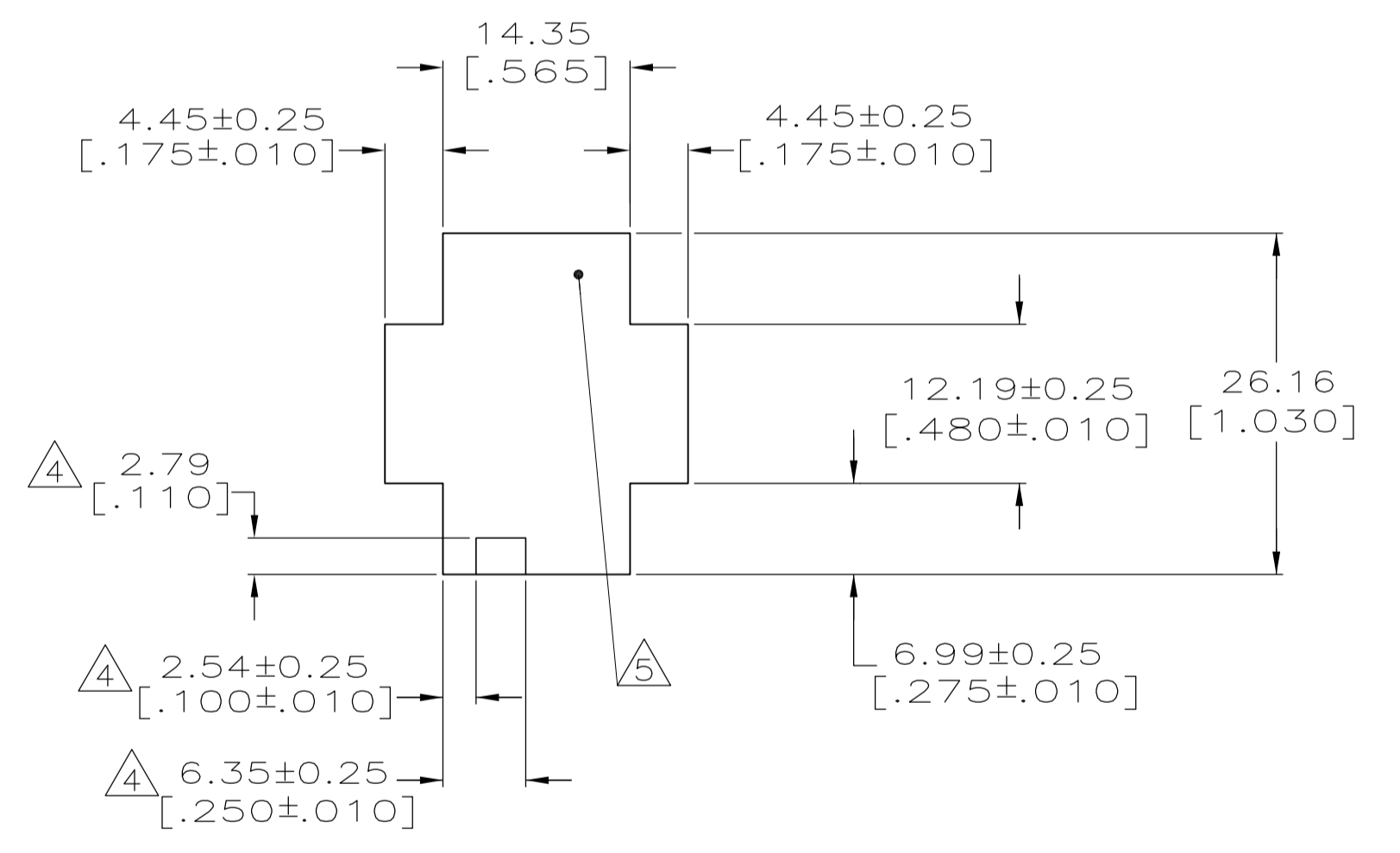


REVISIONS					
P	LTR	DESCRIPTION	DATE	DMN	APVD
G2		REVISED PER ECO-17-009556	03JUL2017	RS	SW

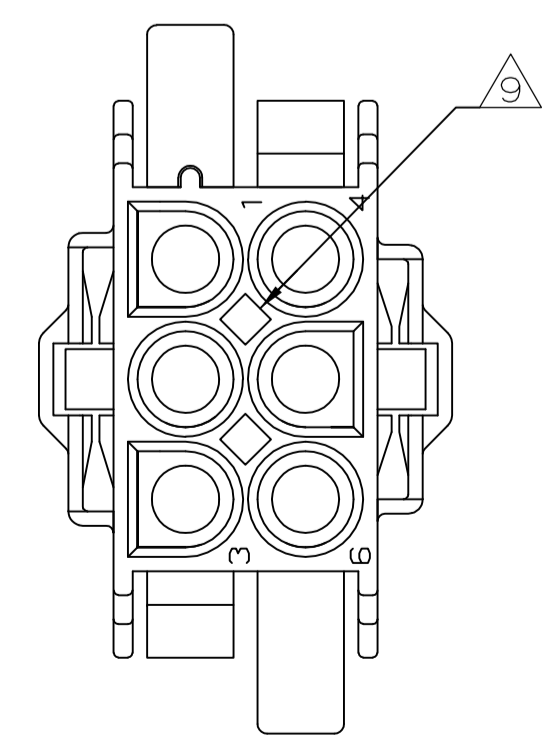


1. BULK PACKAGED, UNASSEMBLED.
- ② RECOMMENDED PANEL THICKNESS 0.76-2.29 [.030-.090].
- ③ PANEL MUST BE PUNCHED SO THAT THE HOUSING ENTERS THE PANEL IN THE SAME DIRECTION AS THE PUNCH.
- ④ OPTIONAL FOR KEYING HOUSING IN PANEL.
- ⑤ CIRCUIT NO. 1 LOCATON.
- ⑥ APPROVAL AGENCY LOGO LOCATED APPROXIMATELY AS SHOWN.
- ⑦ AMP LOGO LOCATED THIS SURFACE.
- ⑧ CIRCUIT NUMBER ONE IDENTIFICATION BUTTON AND CIRCUIT IDENTIFICATION NUMBERS ARE EACH LOCATED ADJACENT TO THE APPROPRIATE CIRCUIT CAVITIES.
- ⑨ OPTIONAL CONSTRUCTION PROVIDES ROUND MATERIAL REDUCTION CORING HOLES.

10. DIMENSIONS SHOWN REPRESENT PRODUCT IN DRY, AS MOLDED CONDITION. ADDITIONAL 2% GROWTH DUE TO SUBSEQUENT MOISTURE ABSORPTION MAY OCCUR AND SHOULD BE ACCOUNTED FOR



RECOMMENDED PANEL CUTOUT (HOUSING ENTRY SIDE) SCALE 2:1



VIEW A-A SCALE 2:1

METRIC

770027-1
PART NUMBER

THIS DRAWING IS A CONTROLLED DOCUMENT.		DIN K. SALMON 1-22-92	STE TE Connectivity	
DIMENSIONS: INCHES		CHK R. SWING 1-22-92		
TOLERANCES UNLESS OTHERWISE SPECIFIED:		APVD M. TRULL 1-22-92	NAME	
0. PLC ± -		PRODUCT SPEC	CAP HOUSING KIT, 6 CIRCUIT, UNIVERSAL MATE-N-LOK	
1. PLC ± -		APPLICATION SPEC	SIZE CASE CODE DRAWING NO	
2. PLC ± -			A1 00779C=770027	
3. PLC ± 0.13 [.005]			RESTRICTED TO	
4. PLC ± -			WEIGHT 0.000000	
ANGLES ± -			CUSTOMER DRAWING	
MATERIAL NYLON,UL94V-0, FINISH -			SCALE 5:1 SHEET 1 OF 1 REV G2	