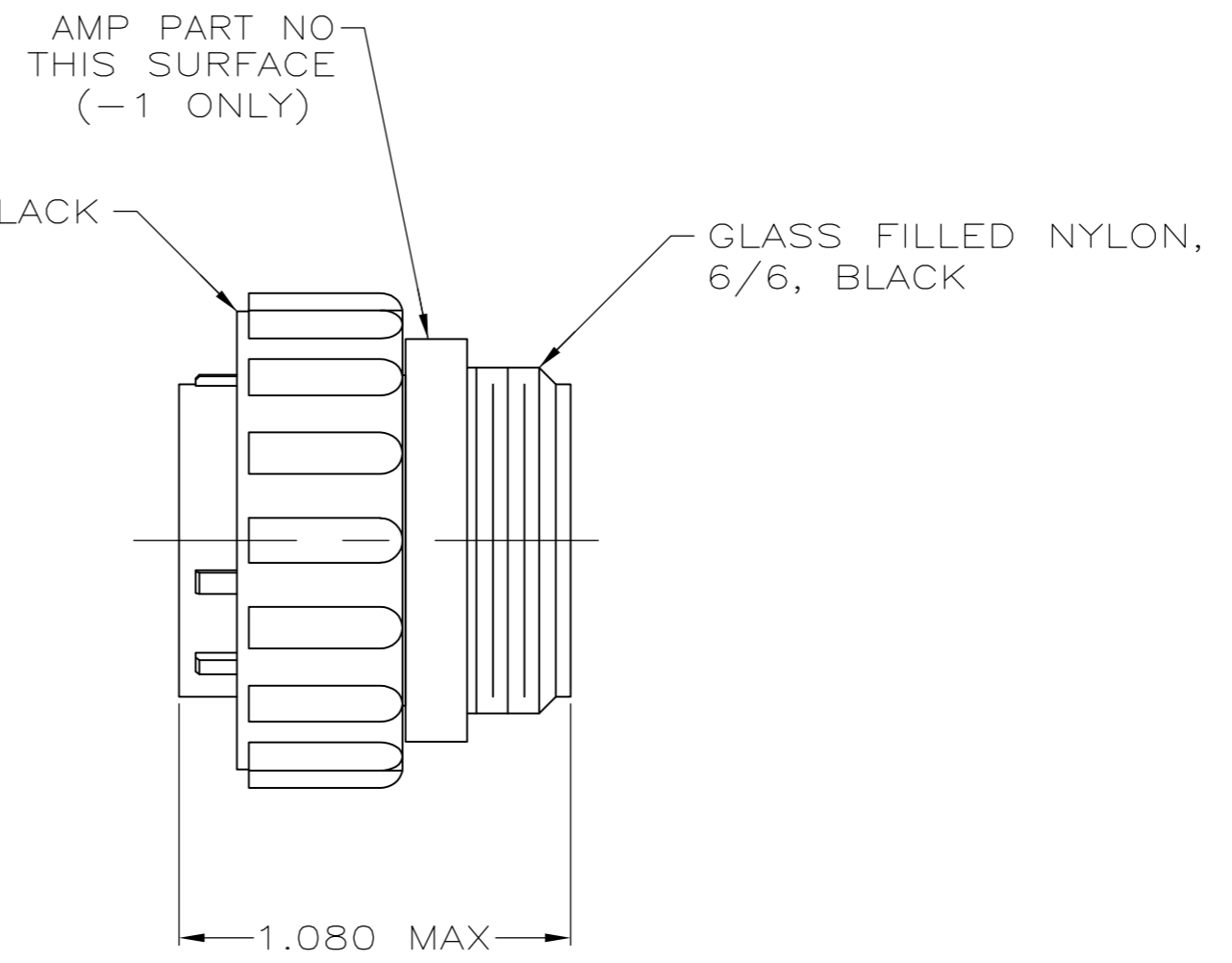
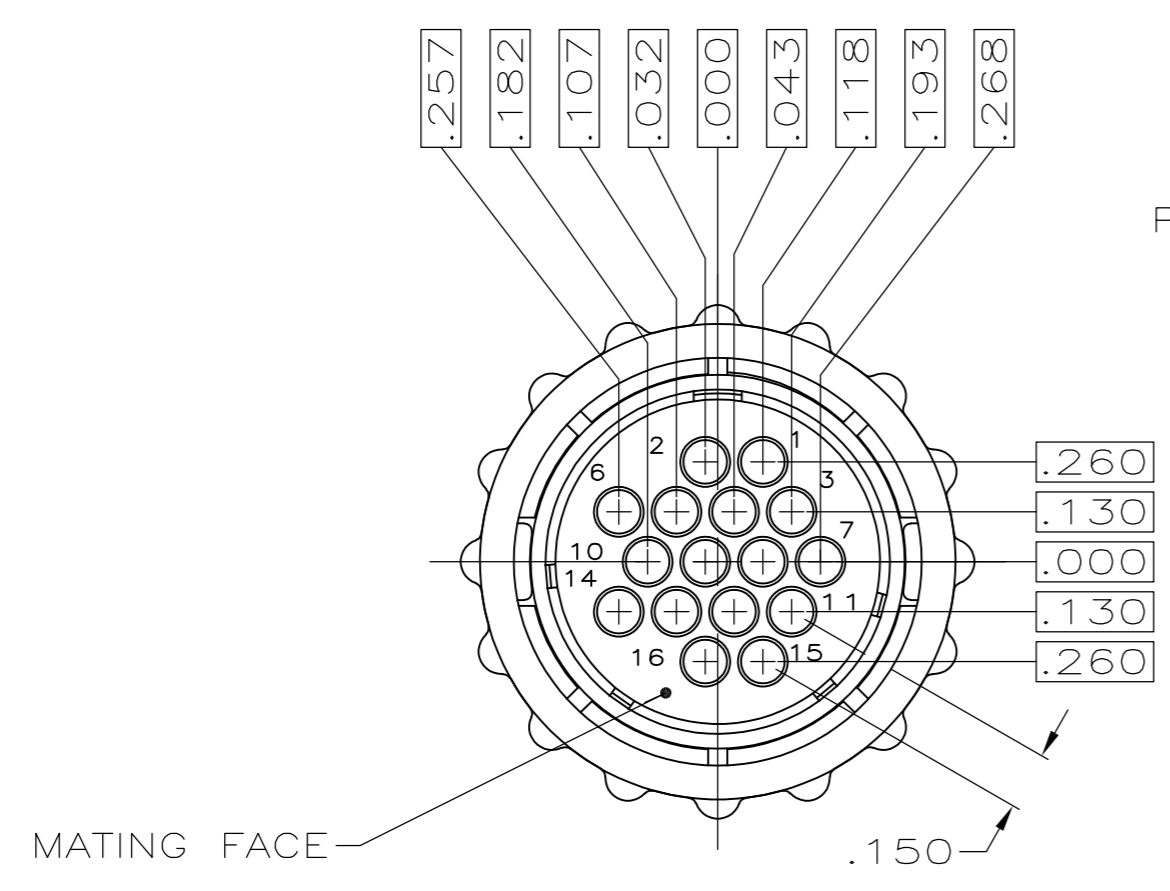
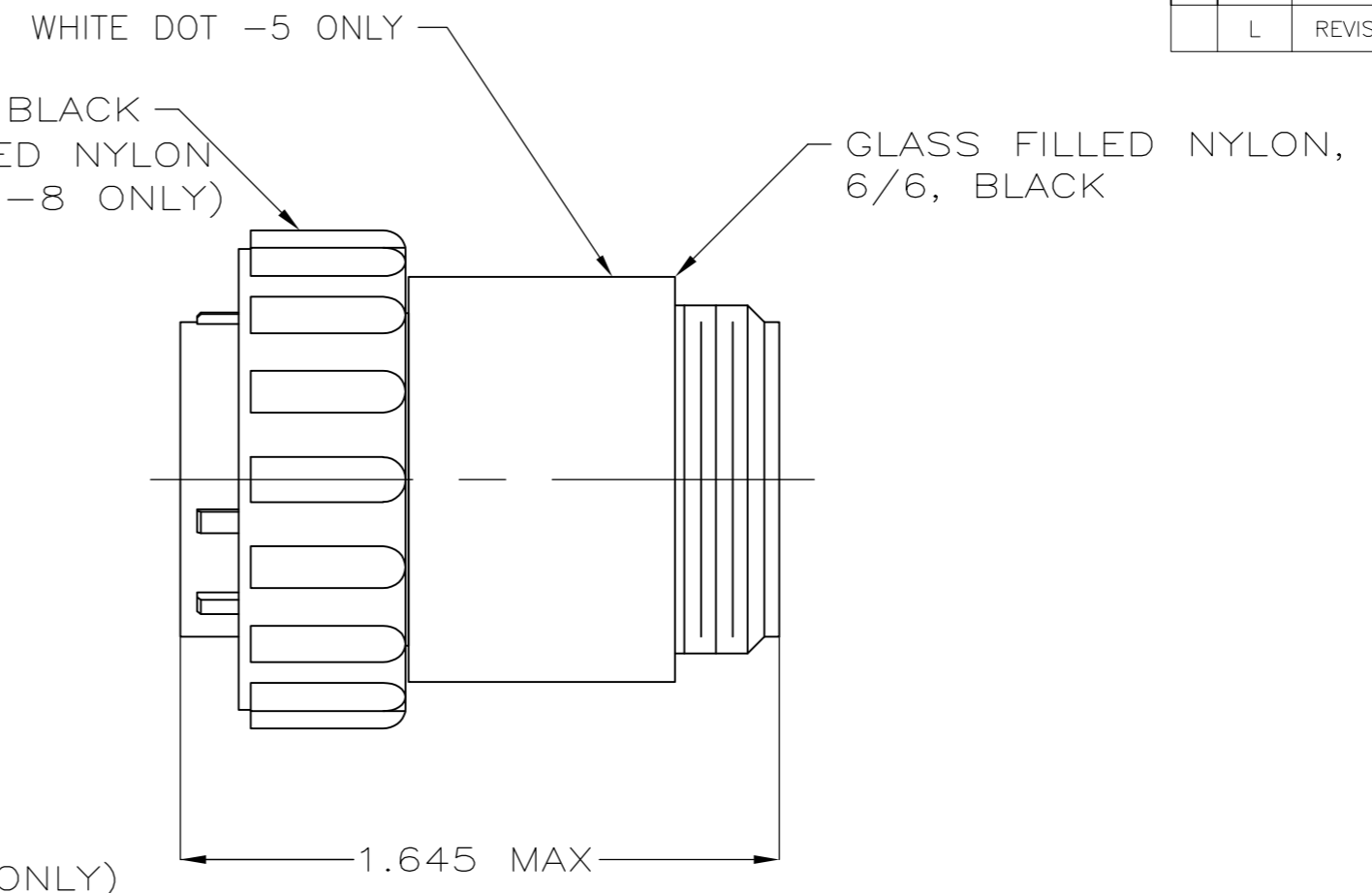
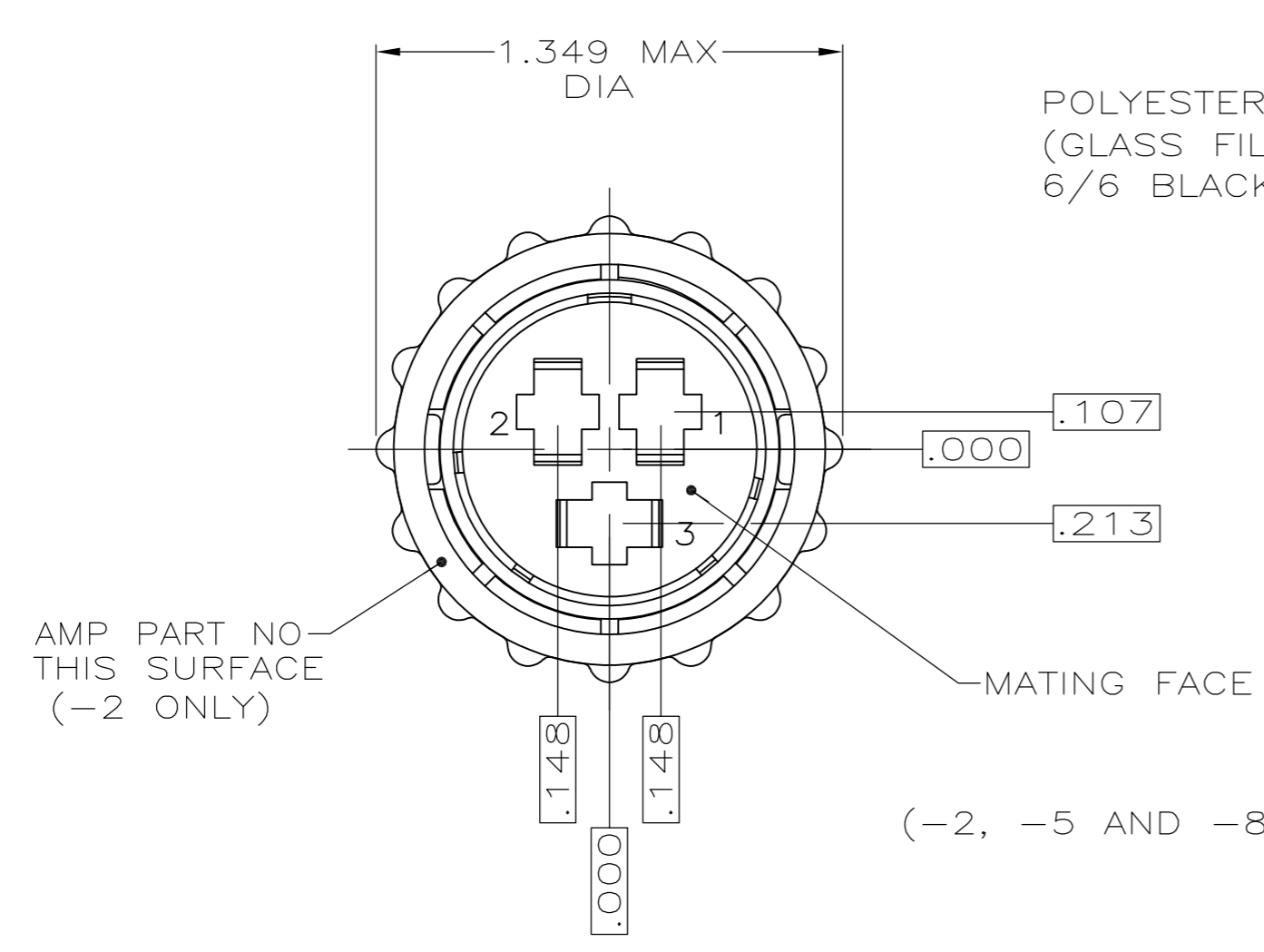


THIS DRAWING IS UNPUBLISHED. RELEASED FOR PUBLICATION
 © COPYRIGHT - By - ALL RIGHTS RESERVED.

REVISIONS					
P	LTR	DESCRIPTION	DATE	DWN	APVD
	K3	REVISED PER ECO-16-004800	10SEP2016	NK	MZ
	L	REVISED PER ECO-17-000037	10MAR2017	RS	MZ



(-1, -3 AND -4 ONLY)

5	4	3	206037-8
OBSOLETE		3	206037-5
		2	206037-4
		2	206037-3
		3	206037-2
		2	206037-1
			PART NUMBER

NOTES:

- CONTACT CAVITIES IDENTIFIED BY CHARACTERS ON FRONT AND REAR FACES OF CONNECTOR.
- PART NUMBER 206037-1, -3 AND -4 WILL ACCEPT (16) MULTIMATE SOCKET CONTACTS.
- PART NUMBER 206037-2, -5 AND -8 WILL ACCEPT (3) TYPE XII SOCKET CONTACTS.
- OBSOLETE PART NUMBER.
- UL RATED UV(f1) MATERIAL.

THIS DRAWING IS A CONTROLLED DOCUMENT.		DWN S.RIDGLEY BG 8/3/90	STE TE Connectivity	
DIMENSIONS: INCHES		CHK R.STONE 04/26/91		
TOLERANCES UNLESS OTHERWISE SPECIFIED:		APVD -	NAME	
0 PLC ± -		PRODUCT SPEC -	PLUG ASSEMBLY, SHELL SIZE 17, STANDARD SEX, CPC	
1 PLC ± -		APPLICATION SPEC -	SIZE A2	CAGE CODE 00779
2 PLC ± -		WEIGHT -	DRAWING NO C=206037	RESTRICTED TO -
3 PLC ± .005		CUSTOMER DRAWING	SCALE 2:1	SHEET 1 of 1
4 PLC ± -			REV L	
FINISH -				