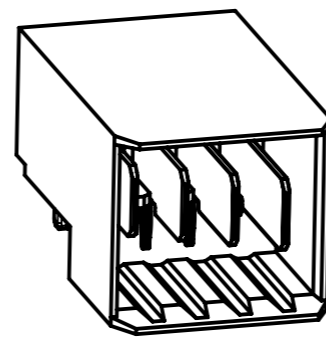
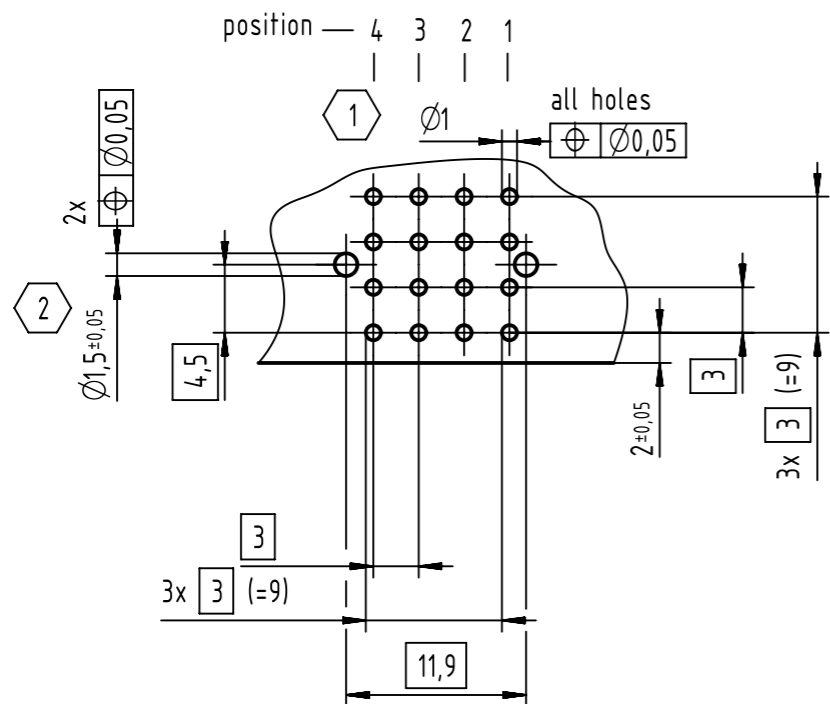
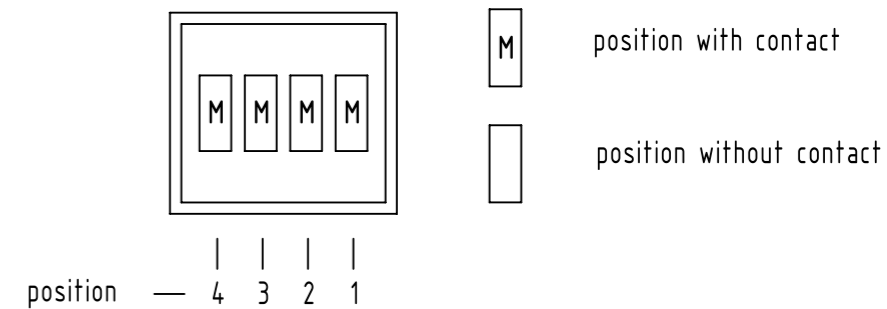


board drillings



contact loading



- 3 type XL on request
- 2 non metallized drillings
- 1 further information see: DS 17611200001

	All Dimensions in mm Original Size DIN A3		Scale 2:1	Free size tol.	Ref. Sub. TB 17 61 004 2192 / Mod. 31726 / 04.03.2005	
	All rights reserved Department EC PD - DE		Created by STORCK	Inspected by LEHNERT	Standardisation HOFFMANN	Date 2017-10-26
HARTING Electronics GmbH D-32339 Espelkamp		Title har-bus HM Power male connector 4-pole press-fit			Doc-Key / ECM-Nr. 100082521/UGD/005/B 500000126632	
		Type TB	Number 17610042102		Rev. B	Page 1/1