

Würth Elektronik eiSos GmbH & Co. KG

EMC & Inductive Solutions

Max-Eyth-Straße 1 · 74638 Waldenburg · Germany

Tel. +49 (0) 79 42 945-0 · Fax +49 (0) 79 42 945-400

eiSos@we-online.de · www.we-online.de



Product / Process Change Notification (PCN)

- Major change
 Minor change

PCN #: PCN_AsSMSI_20181009

Affected Series:

WA-SMSI	WA-SMST
9774040360R	9774040960R
9774060360R	9774060960R
9774070360R	9774070960R
9774110360R	9774110960R
9774130360R	9774130960R
9774140360R	9774140960R

Change Category:

- Equipment / Location
 General Data
 Material
 Process
 Product Design
 Shipping / Packaging
 Supplier

PCN Date: July 09, 2018

Effective Date: October 09, 2018

Contact: Product Management

Phone: +49 (0) 7942 - 945 5001

Fax: +49 (0) 7942 - 945 5179

E-Mail: pcn.eican@we-online.com

Data Sheet Change:

Yes No

Attachment:

Yes No

DESCRIPTION AND PURPOSE OF CHANGE:

For improved transportation and handling safety, Würth Elektronik will modify the dimensions of the cavity of the carrier tape. This will lead to a change of the packaging unit.

All products with date code 2018-10-09 or later, will be affected by this change.

DETAIL OF CHANGE:

Due to reducing the height of the cavity, where the parts are located into the carrier tape, the dimension K0 and T2 will be changed.

9774040x60R	Dimension	Before Change	After Change
	K0	6,70	5,70
	T2	7,00	6,00

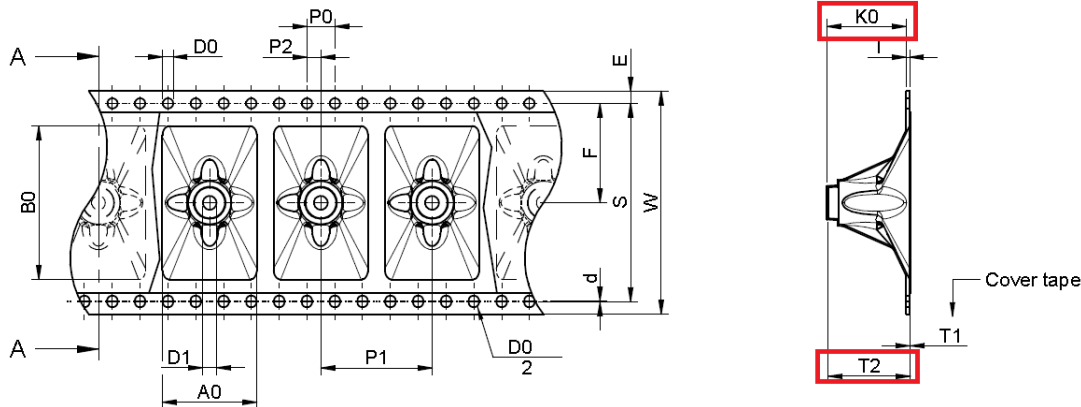
9774060x60R	Dimension	Before Change	After Change
	K0	9,70	7,70
	T2	10,00	8,00

9774070x60R	Dimension	Before Change	After Change
	K0	9,70	8,70
	T2	10,00	9,00

9774110x60R	Dimension	Before Change	After Change
	K0	14,20	13,20
	T2	14,50	13,50

9774130x60R	Dimension	Before Change	After Change
	K0	16,70	14,70
	T2	17,00	15,00

9774140x60R	Dimension	Before Change	After Change
	K0	16,70	15,70
	T2	17,00	16,00



Würth Elektronik eiSos GmbH & Co. KG

EMC & Inductive Solutions

Max-Eyth-Straße 1 · 74638 Waldenburg · Germany

Tel. +49 (0) 79 42 945-0 · Fax +49 (0) 79 42 945-400

eiSos@we-online.de · www.we-online.de



The packaging unit will be affected of the change:

Partnumber	Before Change	After Change
9774040x60R	650	750
9774060x60R	450	550
9774070x60R	450	500
9774110x60R	300	300
9774130x60R	250	250
9774140x60R	250	250

RELIABILITY / QUALIFICATION SUMMARY:

Product approval is according to internal requirements released by the Total Quality Department and the Product Management Department.