

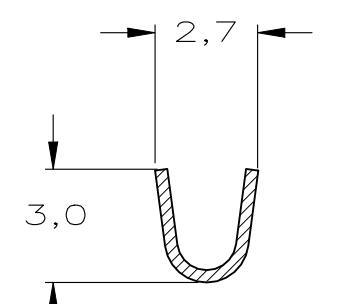
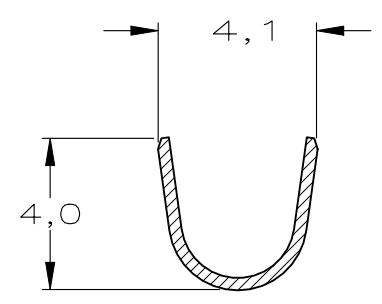
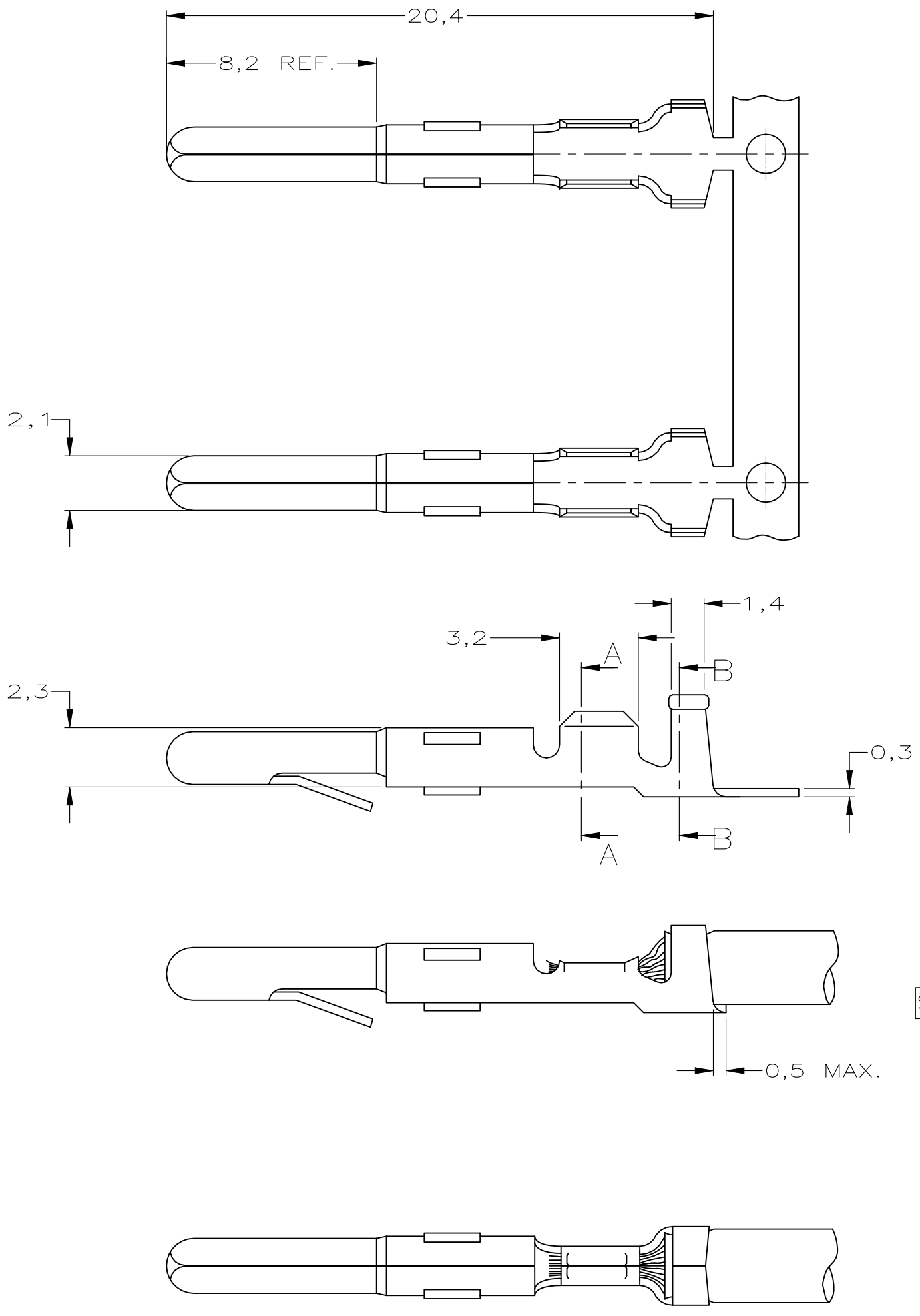
DO NOT SCALE
DIMENSIONS IN mm

METRIC

THIRD ANGLE
PROJECTION

NOTES:

- ① FOR USE ON STANDARD APPLICATORS.(RIGHT-LEFT FEED)
- ② FOR USE ON MINIATURE APPLICATORS.(LEFT-RIGHT FEED)
- ③ FOR USE ON MINIATURE APPLICATORS,
AMP O-MATOR APPLICATION.(LEFT-RIGHT FEED)
- ④ OBSOLETE PARTS: OBSOLETE CIS STREAMLINING PER D.RENAUD/D.SINISI



WIRE RANGE :
0,5-1,0mm² AWG
INSULATION RANGE :
1,8-3,3mm DIA.

		PLATING	PLATING	MATERIAL	PARTNUMBER
OBSOLETE	②	SEL. GOLD	-	-	8-163301-3
④	③ ①		BRASS		1-163301-7
OBSOLETE	②	NICKEL	BRASS		1-163301-2
OBSOLETE	①	NICKEL	BRASS		1-163301-1
④	②	PRE-TINPLATED	PHOSPHOR BR.		163301-8
④	②	UNPLATED	PHOSPHOR BR.		163301-7
④	②	PRE-TINPLATED	BRASS		163301-6
④	②	UNPLATED	BRASS		163301-5
OBSOLETE	①	PRE-TINPLATED	PHOSPHOR BR.		163301-4
OBSOLETE	①	UNPLATED	PHOSPHOR BR.		163301-3
SUP BY 163301-6	①	PRE-TINPLATED	BRASS		163301-2
OBSOLETE	①	UNPLATED	BRASS		163301-1

CUSTOMER DRAWING FOR REFERENCE ONLY WILL NOT BE UPDATED © COPYRIGHT 19 - BY - ALL INTERNATIONAL RIGHTS RESERVED. THIS DRAWING IS UNPUBLISHED RELEASED FOR PUBLICATION ,19							NAME PIN MATE-N-LOK.	
					K3 REVISED PER ECN-23-195825 WLS VS 31JAN23		K2 REVISED PER ECO-11-05294 RK HMR 05APR11	
					DATE: 10-04-92 DATE: - DATE: -		DATE: - DATE: - DATE: -	