

**CHARACTERISTICS**

**MATERIAL**

Insulator material : LCP  
 Flammability rating : UL94-V0  
 Colour : Black  
 Contact pin : Brass (CuZn)  
 Surface of solder tail plating : Tin Plated  
 Flange nut : Brass - M2.5

**ENVIRONMENTAL**

Operating temperature : -40°C up to 105°C  
 Compliance : Lead free and RoHS

**SOLDERING**

Solder temperature : Reflow process as per JEDEC J-020D-STD

**ELECTRICAL**

Current rating : 10A  
 Working voltage : 300 Vac  
 Dielectric withstanding voltage : 4 kVac/min  
 Contact resistance : 20 mΩ max

**STANDARD**

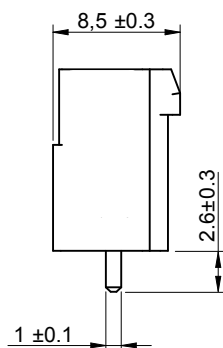
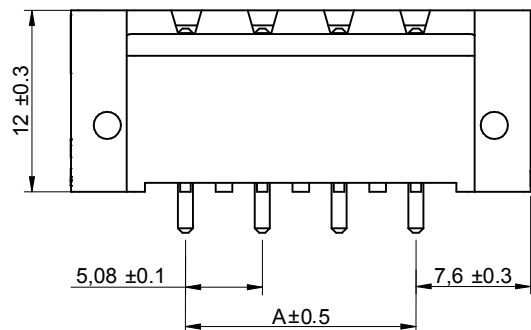
UL Certified : E315414 / Model number 7015

**MECHANICAL**

Pitch : 5.08mm

**PACKAGING**

Tape & Reel with cap



Poles	A	B
2	5.08	20,32
3	10.16	25.4
4	15.24	30.48
5	20.32	35.56
6	25.4	40.64
7	30.48	45.72
8	35.56	50.8
9	40.64	55.88
10	45.72	60.96
11	50.8	66.04
12	55.88	71.12

RoHS Compliant

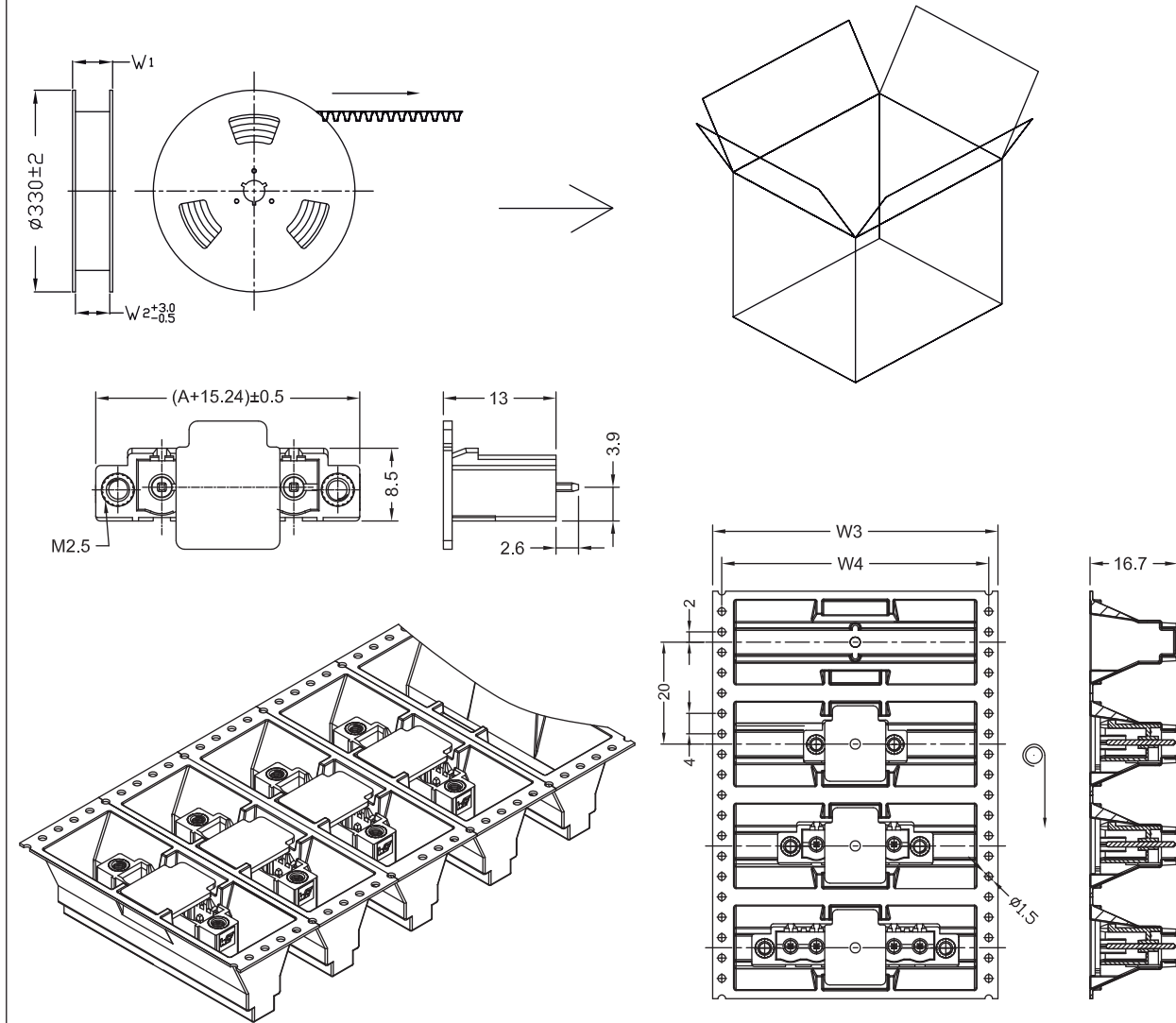
G			
F			
E			
D			
C			
B	19-DEC-11	6917015200xx	QL
A	14-SEP-11	PDF	QL
REV	DATE	FILE	BY

PROJECTION:	
APPROVAL: RJ	

GENERAL TOLERANCE
.X = +/- 0.2
.XX = +/- 0.15
UNIT: MM
SCALE: 2/1
SHEET: 1/2
DRAW: QUENTIN



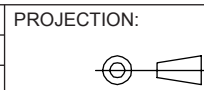
DESCRIPTION: SERIE 7015B - 5.08MM CLOSED VERTICAL PCB HEADER - THR TYPE WITH FLANGES	SIZE
WERI PART NO: 691 701 520 0xx B	<b>A4</b>



- 1. 10 sprocket hole pitch cumulative tolerance  $\pm 0.20$
- 2. Carrier camber is within 1 mm in 250 mm.
- 3. Material : Black Conductive Polystyrene Alloy.  
Transparent anti-static PET
- 4. All dimensions meet EIA-481-C requirements.
- 5. Thickness :  $0.50 \pm 0.05$  mm.
- 6. Component load per 13" reel : 150 pcs.

Poles	A	Dimension				Packing (Reel/cotton)	Carton dimensions (cm)	Quantity / Carton
		W1(mm)	W2(mm)	W3(mm)	W4(mm)			
2	5.08	36.4	32	32	28.4	10	33.5 x 33.5 x 40	1500
3	10.16	60.4	56	56	52.5	6	33.5 x 33.5 x 40	900
4	15.24	60.4	56	56	52.5	6	33.5 x 33.5 x 40	900
5	20.32	60.4	56	56	52.5	6	33.5 x 33.5 x 40	900
6	25.40	60.4	56	56	52.5	6	33.5 x 33.5 x 40	900
7	30.48	92.4	88	88	84.4	4	33.5 x 33.5 x 40	600
8	35.56	92.4	88	88	84.4	4	33.5 x 33.5 x 40	600
9	40.64	92.4	88	88	84.4	4	33.5 x 33.5 x 40	600
10	45.72	92.4	88	88	84.4	4	33.5 x 33.5 x 40	600
11	50.80	92.4	88	88	84.4	4	33.5 x 33.5 x 40	600
12	55.88	92.4	88	88	84.4	4	33.5 x 33.5 x 40	600

RoHS Compliant			
G			
F			
E			
D			
C			
B			
A			
REV	DATE	FILE	BY



GENERAL TOLERANCE  
 .X =  $\pm 0.2$   
 .XX =  $\pm 0.15$

APPROVAL: RJ

UNIT: MM  
 SCALE:  
 SHEET: 2/2  
 DRAW: QUENTIN



DESCRIPTION: SERIE 7015B - 5.08MM CLOSED VERTICAL PCB HEADER - THR TYPE WITH FLANGES  
 WERI PART NO: 691 701 520 0xx B

SIZE  
**A4**