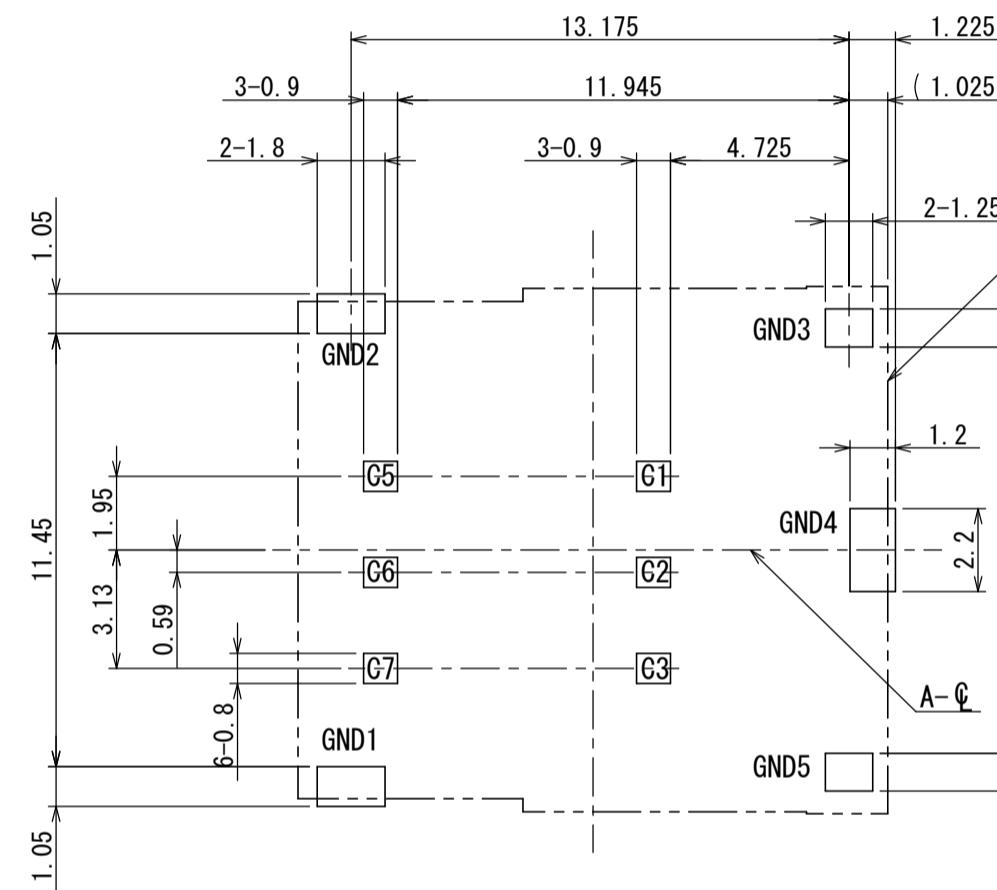
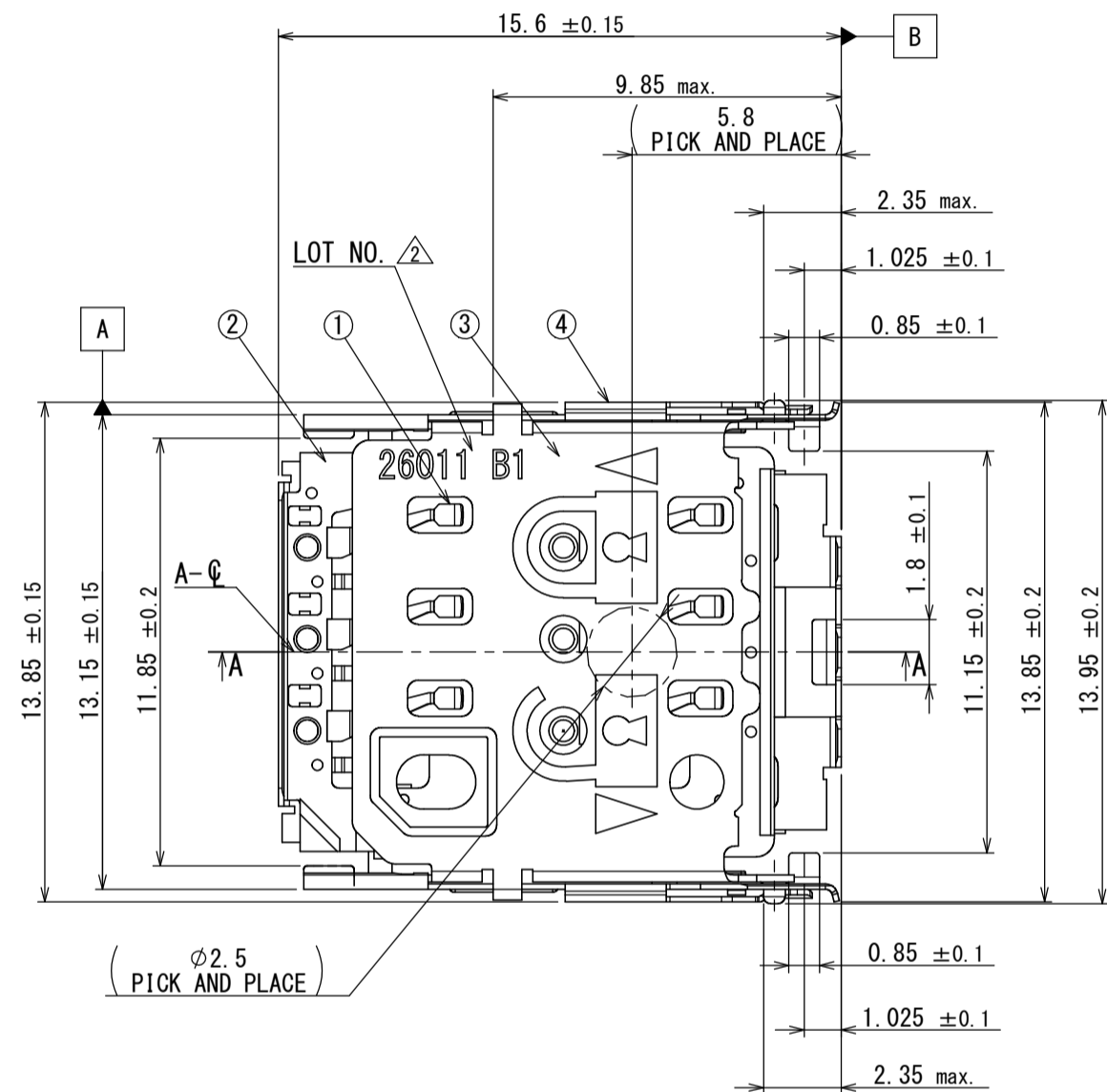
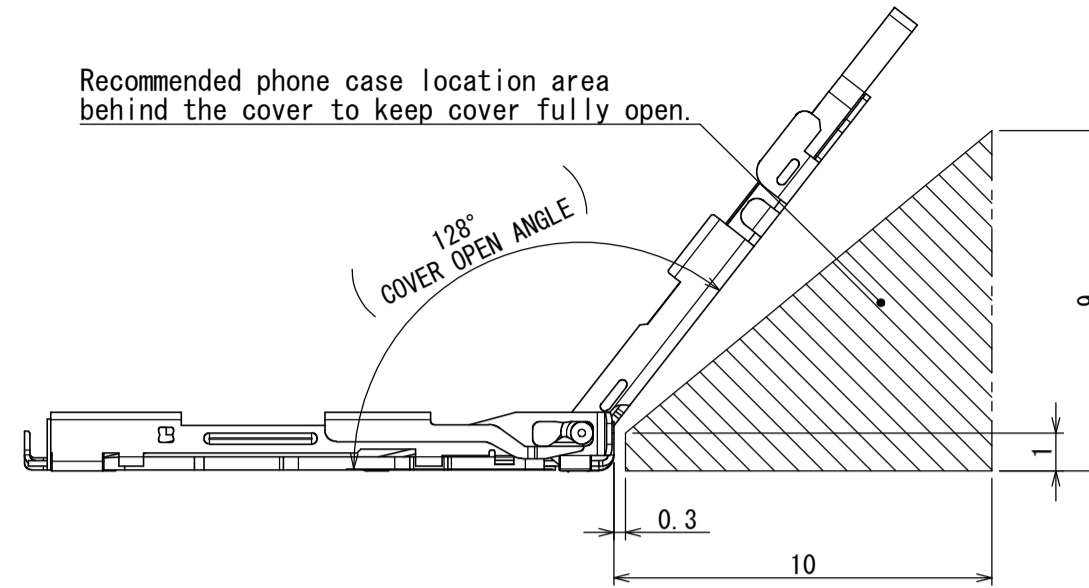
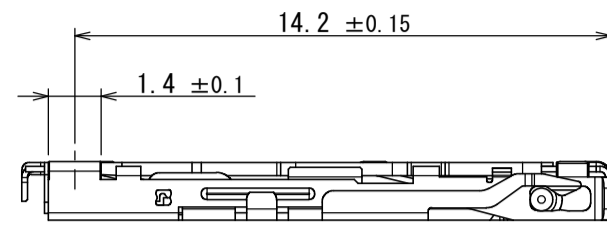
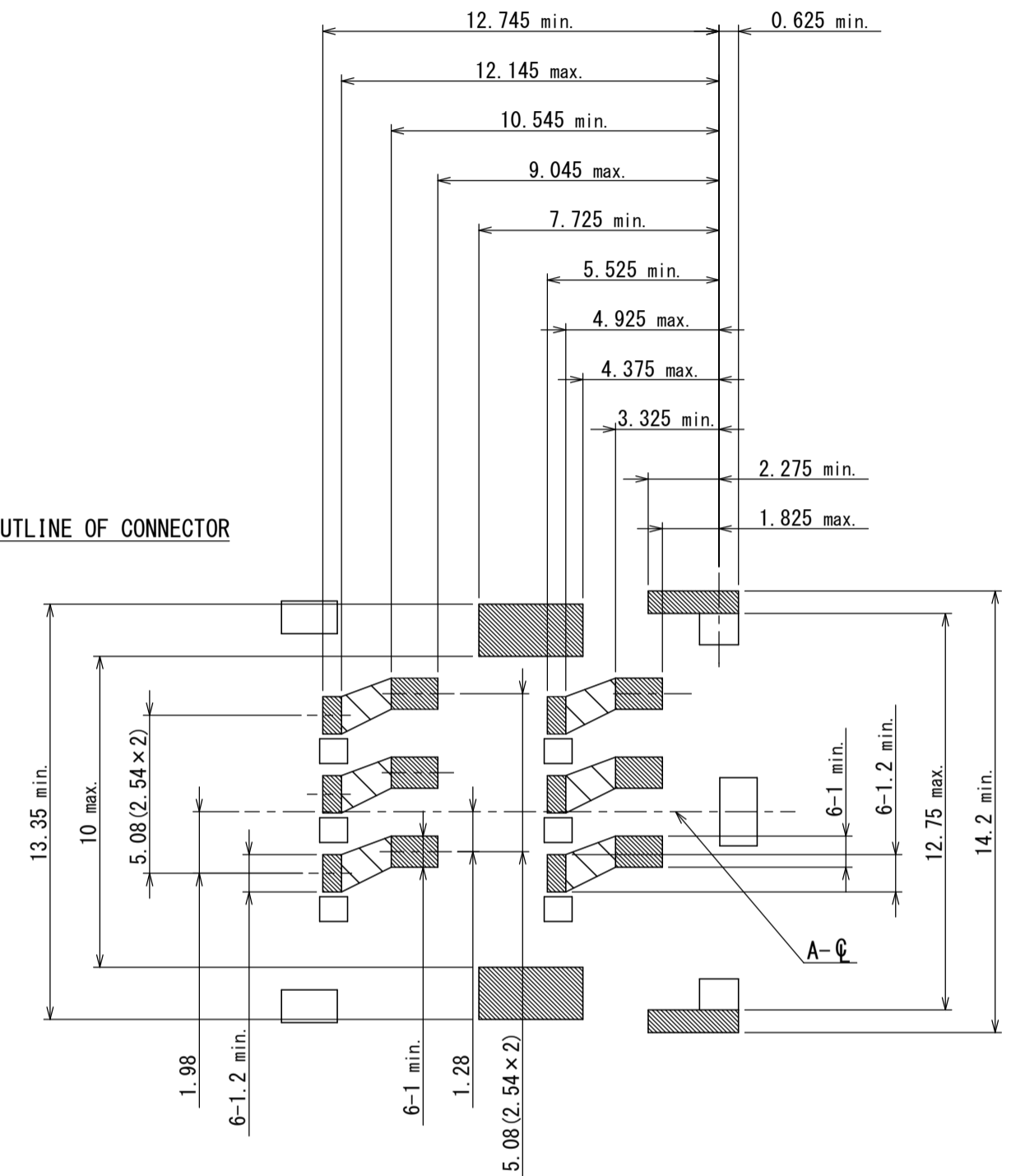


版数 VER.	年月日 DATE	図 NO.	変更内容 DESCRIPTION	製 DR.	担 CHK.	査 APPD.	承認 APPD.
2	15/APR/2014	004608	ADDED DIMENSION		M. SHIMADA	-	A. NATORI

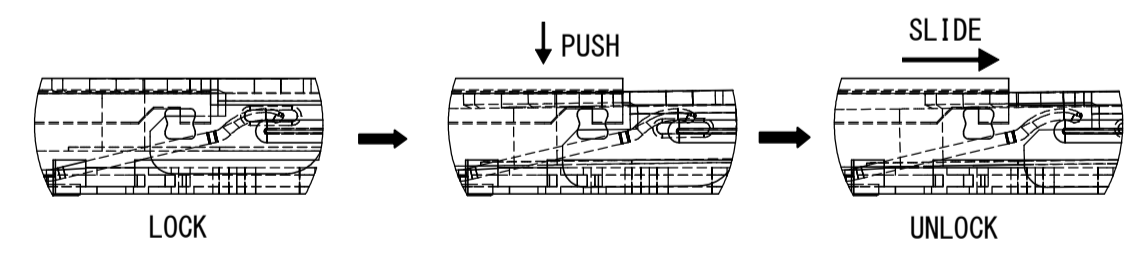
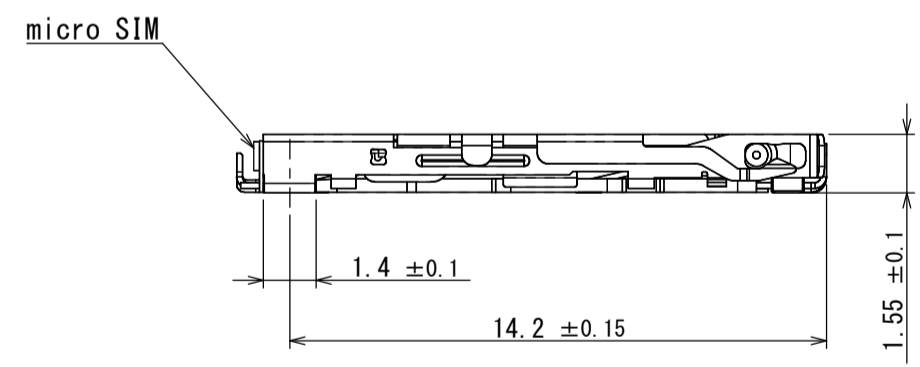
Recommended phone case location area behind the cover to keep cover fully open.



OUTLINE OF CONNECTOR

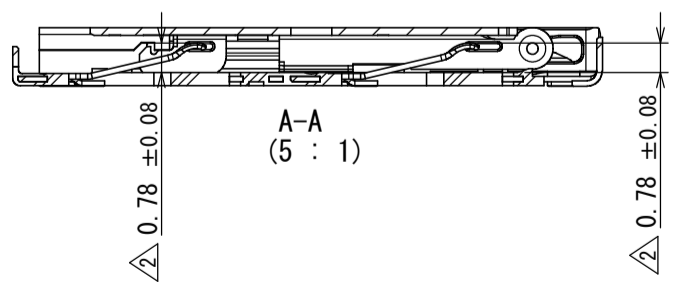


RESTRICTED AREA (No pattern and Via hole)
All the pattern and Via holes under the connector should be coated by resist.
APPLICABLE PWB. DIMENSION FOR RESTRICTED AND INSULATION AREA(REF.)



NOTE1. COPLANARITY 0.08mm max.
NOTE2. LOT INFORMATION IS SHOWN AS BELOW.
e.g. 26011

PRODUCTION LINE NO.
PRODUCTION DATE (YMDD)



PART No.	PART NAME	TERMINAL AREA / LOCK HINGE AREA	CONTACT AREA
1	CONTACT	Au FLASH OVER Ni (1μm MIN.)	Au (0.5μm MIN.) OVER Ni (2~6μm)
4	GROUND-FRAME		-

符号 No.	名称 DESCRIPTION	個 QTY.	材 MATERIAL	仕 FINISH	備 REMARKS
4	GROUND-FRAME	1	COPPER ALLOY	TABLE 1	
3	COVER	1	STAINLESS	-	
2	HOUSING	1	GLASS FILLED LCP	-	
1	CONTACT	6	COPPER ALLOY	TABLE 1	

仕様書(SPECIFICATION) JACS-10936	第1版(ORIGINAL DATE) 01/JUN/2012	尺度(SCALE) 5:1	シリーズ(SERIES) SF15	日本航空電子工業株式会社
製 DR.	担 CHK.	名称(TITLE) SF15W006S4B		JAE JAPAN AVIATION ELECTRONICS INDUSTRY, LTD.
担 CHK.	M. SHIMADA			
寸法(DIMENSION)	角度(ANGLES)	査 APPD.	承認 APPD.	図面番号(DRAWING NO.) SJ113074
一般公差(GENERAL TOLERANCE)		承認 APPD.	A. NATORI	版数(VER.) 2
× ± 0.4	×° ±	質量(MASS)		
×× ± 0.1	××° ±	単位(UNIT): mm		
××× ±				