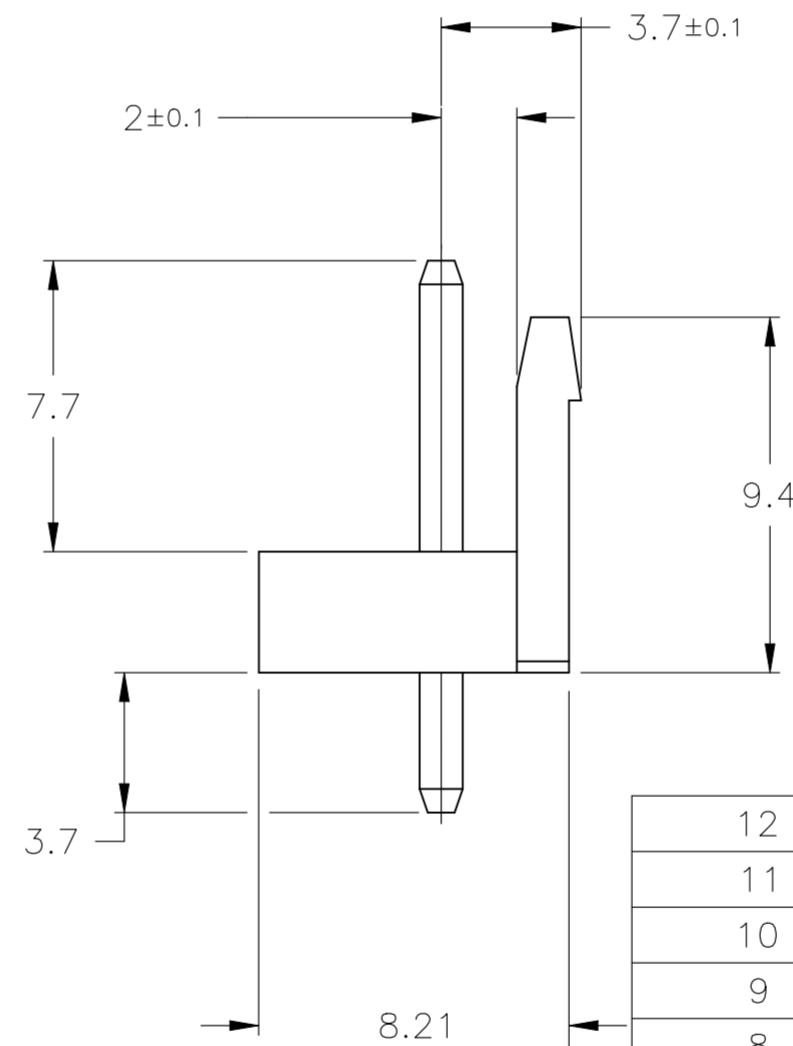
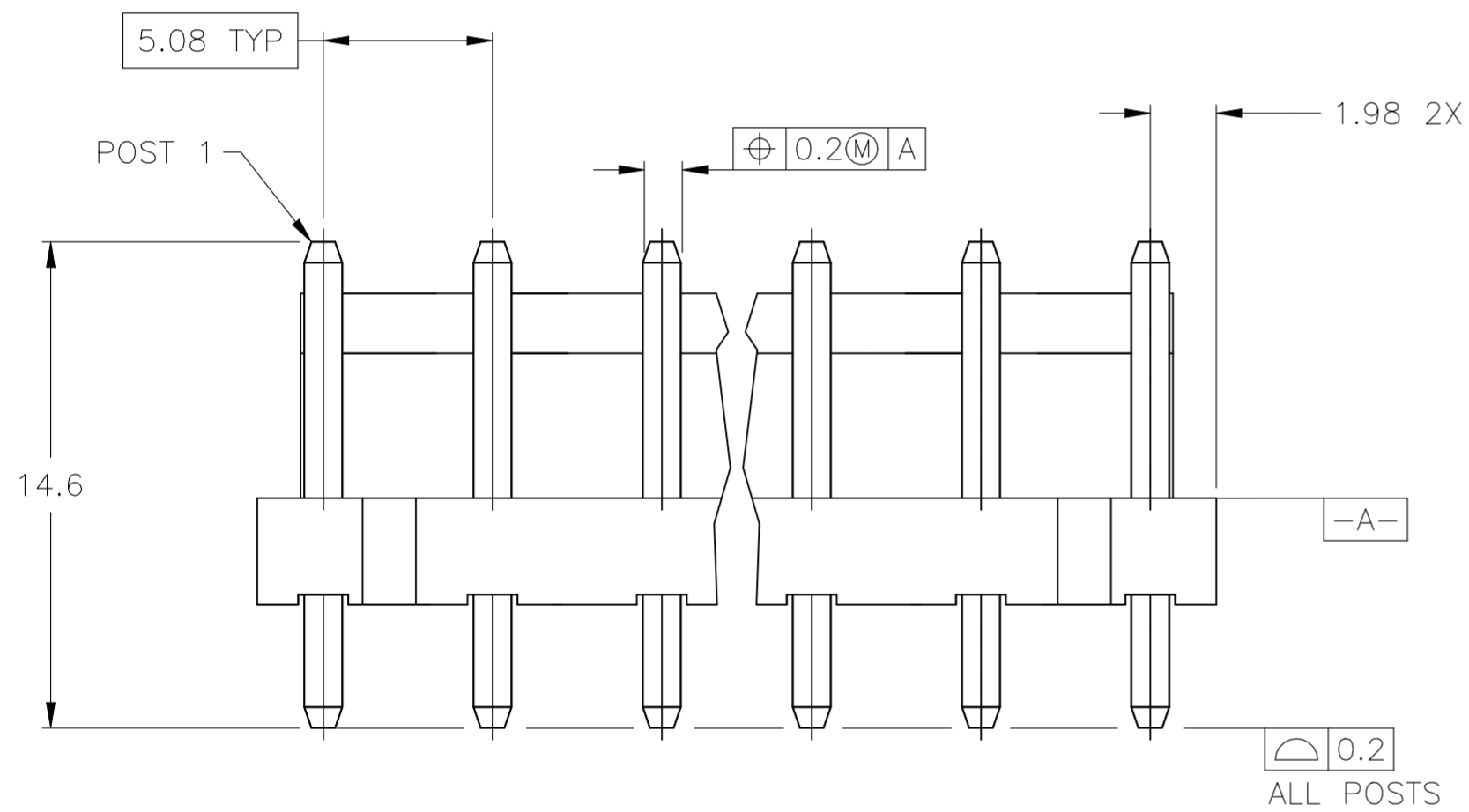
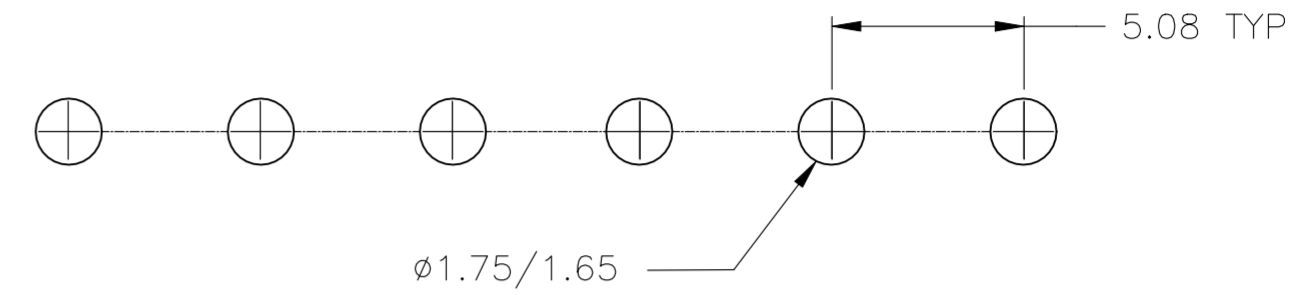
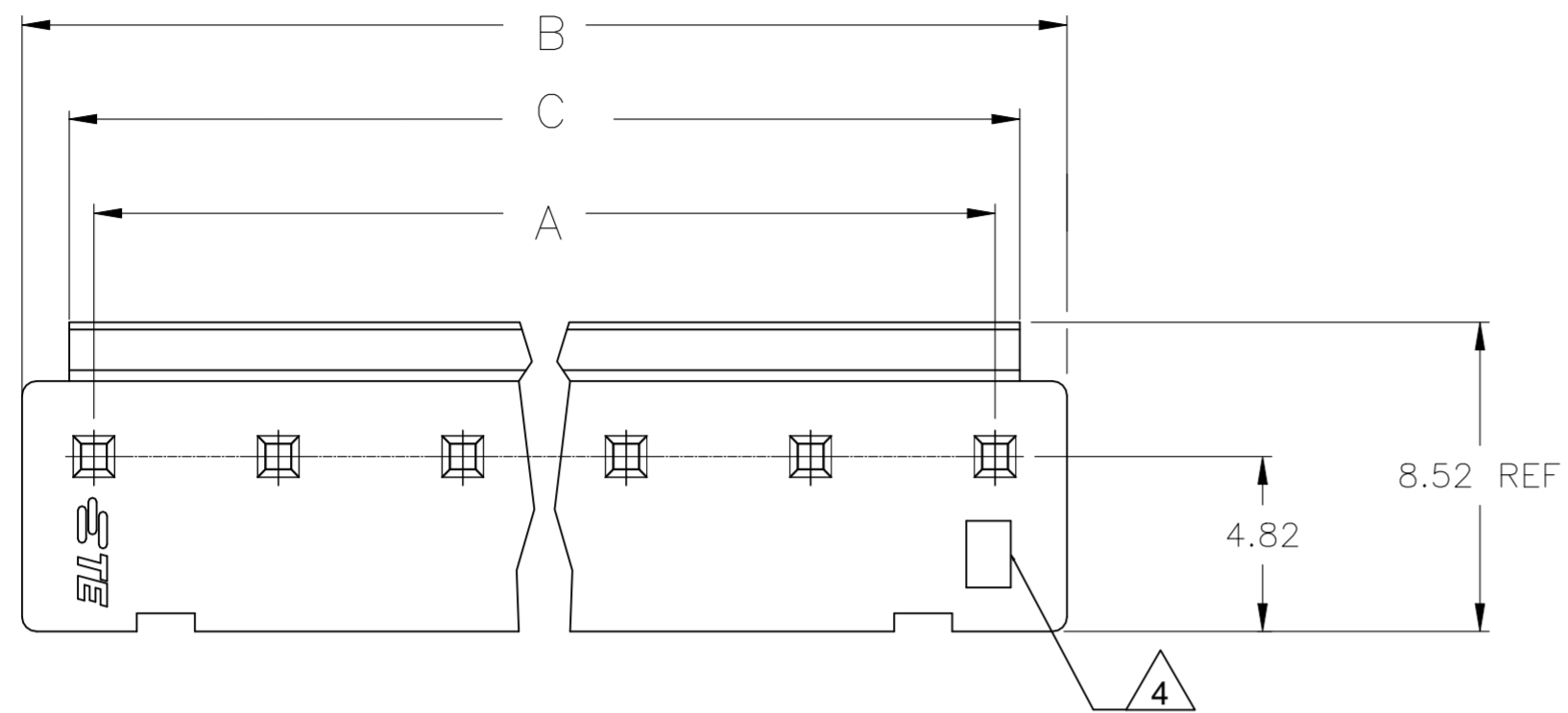
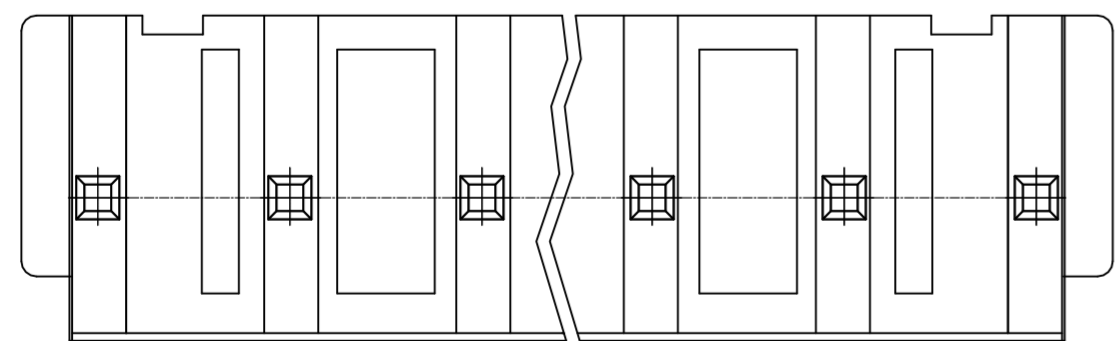


REVISIONS					
P	LTR	DESCRIPTION	DATE	DWN	APVD
B2		REVISED PER ECR-23-165580	13FEB2023	N.H	L.C



1. HOUSING MATERIAL: NYLON 66, UL94V-0, NATURAL.
2. CONTACT MATERIAL: COPPER ALLOY
3. CONTACT PLATING: 0.003MM MIN TIN OVER 0.001MM MIN NICKEL
4. MANUFACTURING LOCATION MARKS TO APPEAR APPROXIMATELY AS SHOWN.

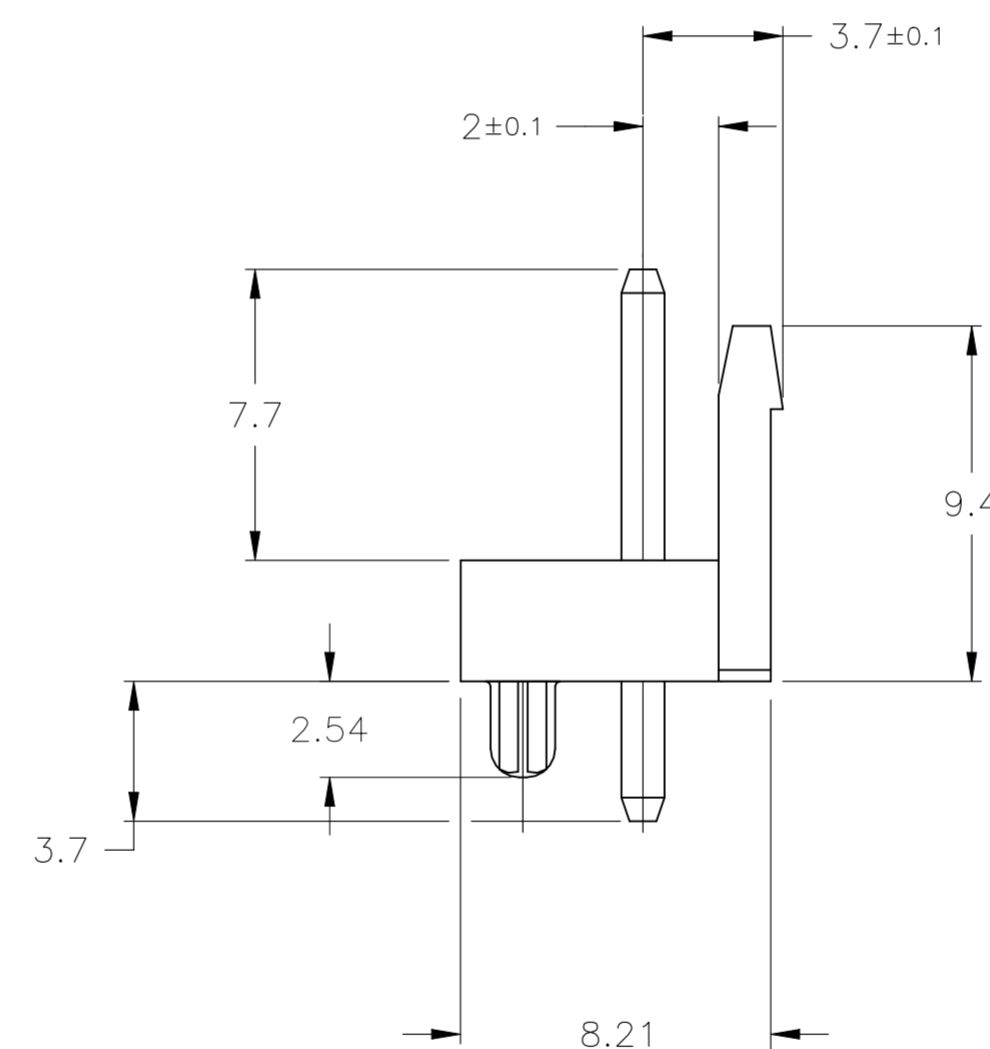
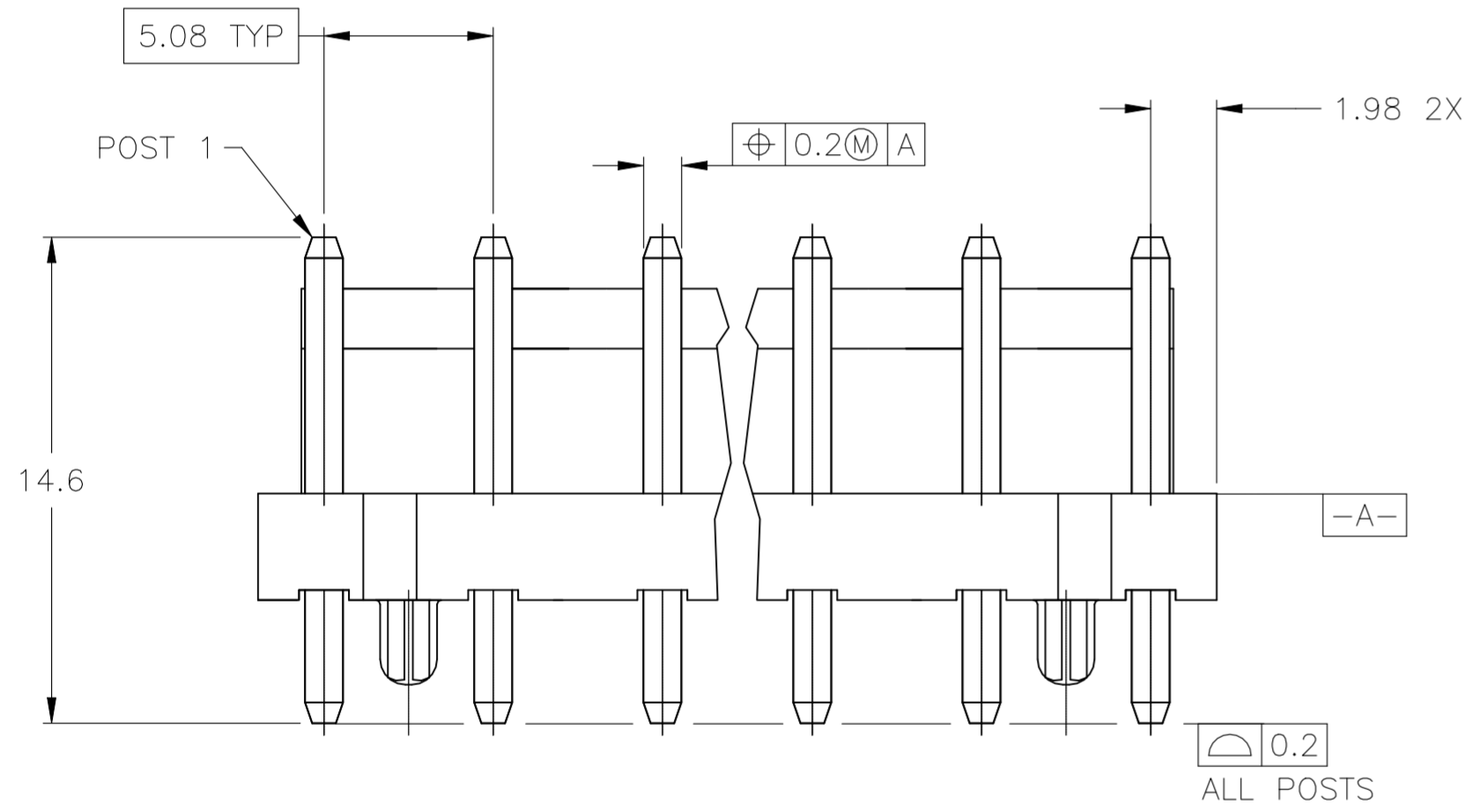
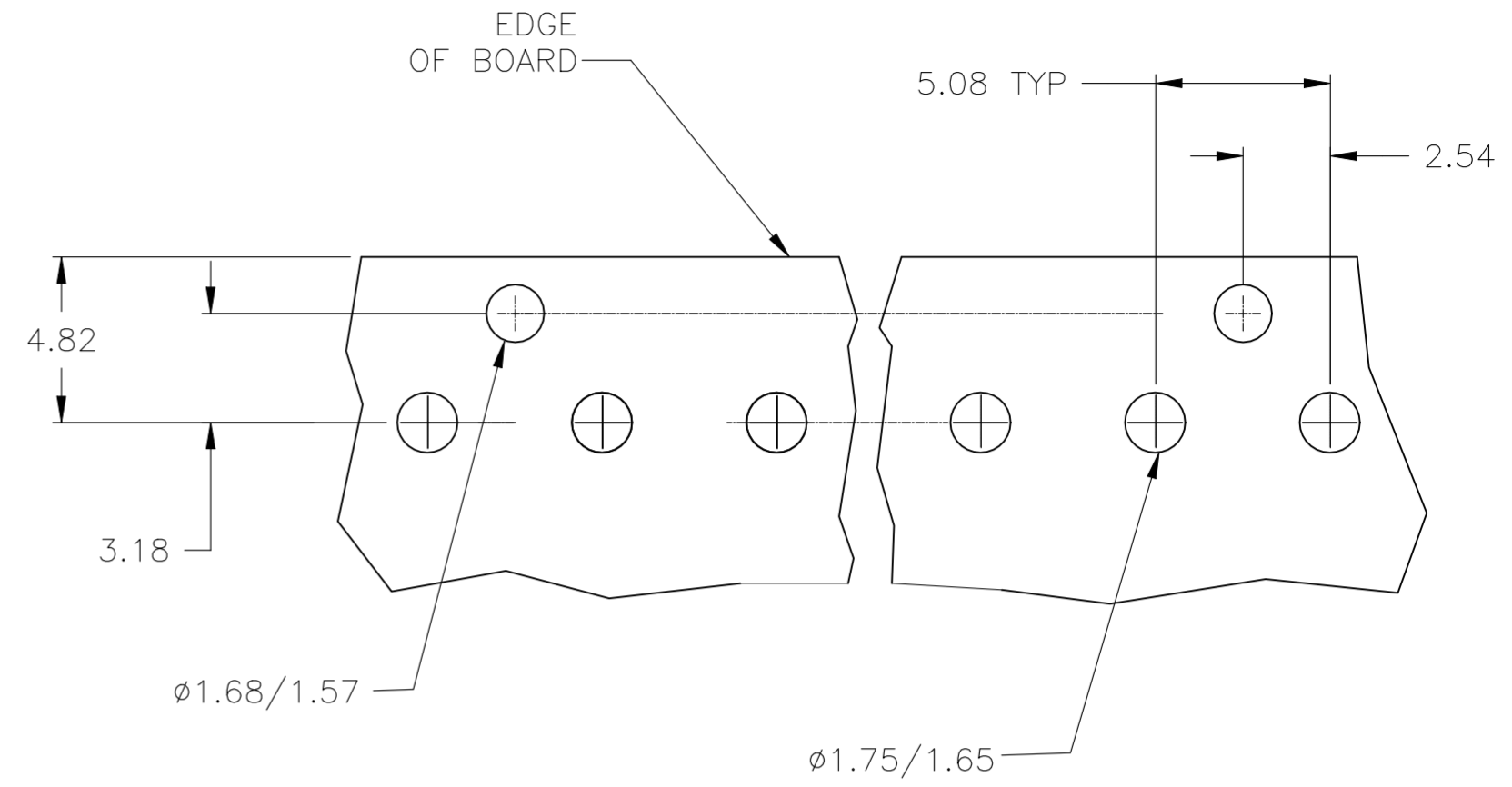
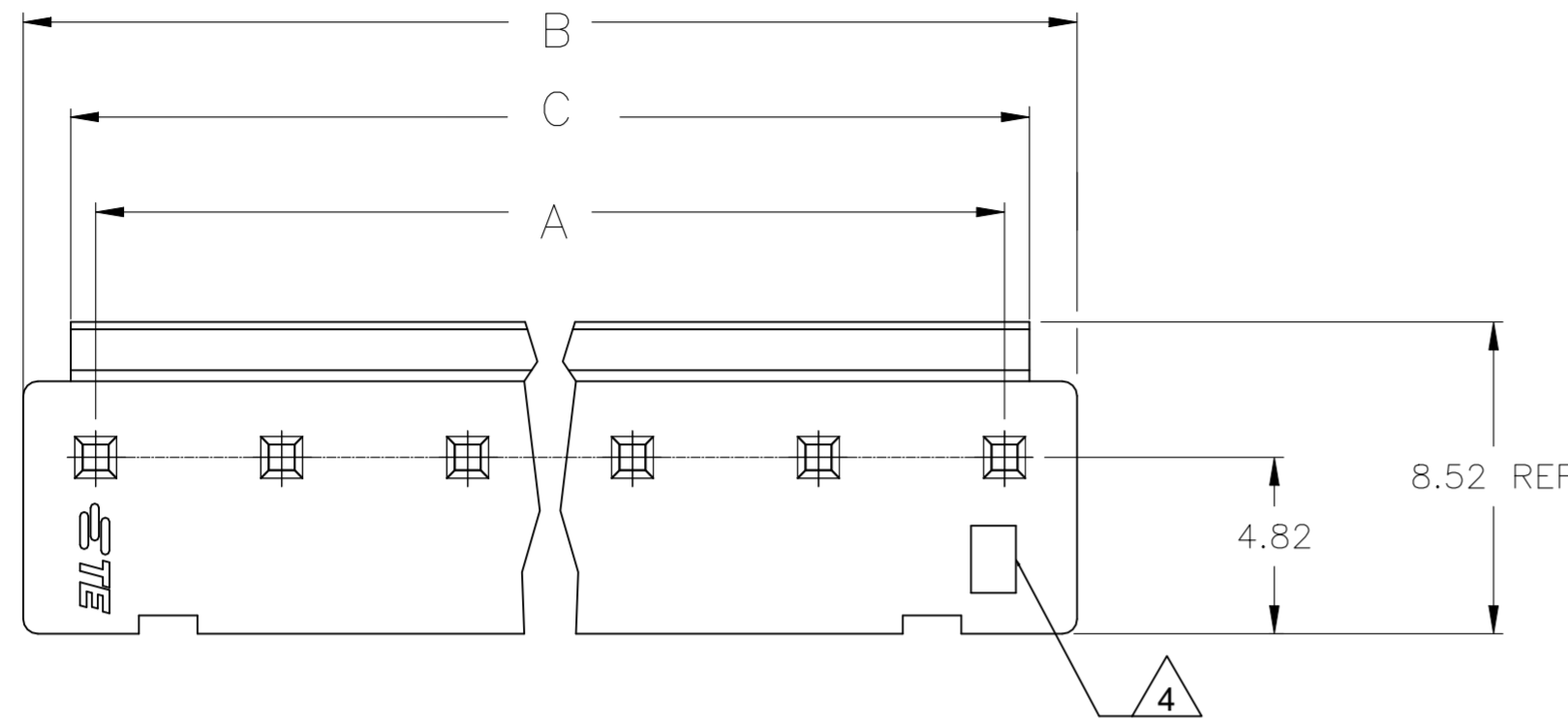


12	57.22	59.84	55.88	1-1744037-2
11	52.14	54.76	50.8	1-1744037-1
10	47.06	49.68	45.72	1-1744037-0
9	41.98	44.6	40.64	1744037-9
8	36.9	39.52	35.56	1744037-8
7	31.82	34.44	30.48	1744037-7
6	26.74	29.36	25.4	1744037-6
5	21.66	24.28	20.32	1744037-5
4	16.58	19.2	15.24	1744037-4
3	11.5	14.12	10.16	1744037-3
2	6.42	9.04	5.08	1744037-2
NO OF POSITIONS	DIM C ± 0.2	DIM B ± 0.3	DIM A ± 0.3	PART NUMBER

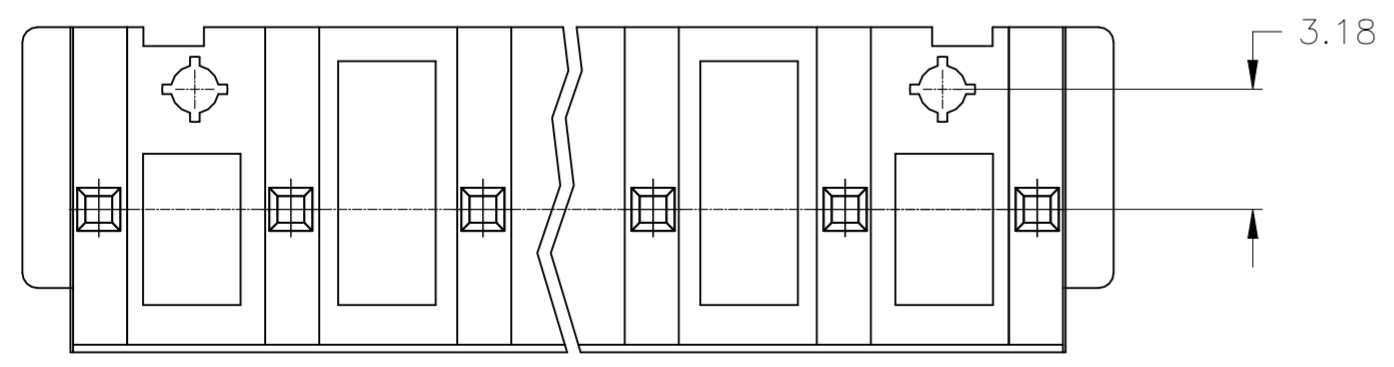
THIS DRAWING IS A CONTROLLED DOCUMENT.

DIMENSIONS: mm [INCHES]	TOLERANCES UNLESS OTHERWISE SPECIFIED: 0 PLC \pm - 1 PLC \pm 0.25 2 PLC \pm 0.15 3 PLC \pm - 4 PLC \pm - ANGLES \pm -	DWN S. HOOVER 01-APR-2004 CHK J. ELLIS 01-APR-2004 APVD J. ELLIS 01-APR-2004	TE Connectivity
MATERIAL SEE NOTES	FINISH	PRODUCT SPEC 108-5609 APPLICATION SPEC 114-32134	NAME HEADER ASSEMBLY-ECONOMY POWER VERTICAL, .200 CENTERLINE
		WEIGHT	SIZE A2 CAGE CODE 00779 DRAWING NO. C=1744037 RESTRICTED TO -
		CUSTOMER DRAWING	SCALE N/A SHEET 1 OF 2 REV B2

REVISIONS					
P	LTR	DESCRIPTION	DATE	DWN	APVD
-	-	SEE SHEET 1	-	-	-



RECOMMENDED PC BOARD LAYOUT



6	26.74	29.36	25.4	3-1744037-6
NO OF POSITIONS	DIM C ±0.2	DIM B ±0.3	DIM A ±0.3	PART NUMBER

THIS DRAWING IS A CONTROLLED DOCUMENT.		DWN S. HOOVER 01-APR-2004																				
DIMENSIONS: mm [INCHES]		CHK J. ELLIS 01-APR-2004																				
TOLERANCES UNLESS OTHERWISE SPECIFIED:		APVD J. ELLIS 01-APR-2004	NAME TE Connectivity																			
<table border="1"> <tr><td>0 PLC</td><td>±</td><td>-</td></tr> <tr><td>1 PLC</td><td>±</td><td>0.25</td></tr> <tr><td>2 PLC</td><td>±</td><td>0.15</td></tr> <tr><td>3 PLC</td><td>±</td><td>-</td></tr> <tr><td>4 PLC</td><td>±</td><td>-</td></tr> <tr><td>ANGLES</td><td>±</td><td>-</td></tr> </table>		0 PLC	±	-	1 PLC	±	0.25	2 PLC	±	0.15	3 PLC	±	-	4 PLC	±	-	ANGLES	±	-	PRODUCT SPEC 108-5609	HEADER ASSEMBLY-ECONOMY POWER VERTICAL, .200 CENTERLINE	
0 PLC	±	-																				
1 PLC	±	0.25																				
2 PLC	±	0.15																				
3 PLC	±	-																				
4 PLC	±	-																				
ANGLES	±	-																				
MATERIAL SEE NOTES		APPLICATION SPEC 114-32134	SIZE A2	RESTRICTED TO -																		
FINISH		WEIGHT -	CAGE CODE 00779	DRAWING NO C=1744037																		
		CUSTOMER DRAWING	SCALE N/A	SHEET 2 OF 2																		
			REV B2																			