

4

3

2

1

THIS DRAWING IS UNPUBLISHED.

RELEASED FOR PUBLICATION

2009

© COPYRIGHT 2009 BY -

ALL RIGHTS RESERVED.

REVISIONS

P	LTR	DESCRIPTION	DATE	DWN	APVD
B1		REVISED PER ECO-17-009774	06SEP2017	M.G.	M.G.
B2		REVISED PER ECO-20-002019	12FEB2020	AP	VN
B3		REVISED PER ECN-21-125377	08NOV2021	VN	VN

FINISH/COLOR	MATERIAL	REV	PART NUMBER
BROWN	PA66-GF	B	4-282107-1
GRAY	PA66-GF	B	282107-2
BLACK	PA66-GF	B	282107-1

△ TE CONNECTIVITY TRADE MARK,
(IN ALTERNATIVE: "AMP" LOGO, OR "Tyco Electronics" LOGO)

THIS DRAWING IS A CONTROLLED DOCUMENT.

DIMENSIONS:
mm

MATERIAL
SEE TABLE

TOLERANCES UNLESS OTHERWISE SPECIFIED:

0 PLC	±
1 PLC	± 0.3
2 PLC	±
3 PLC	±
4 PLC	±
ANGLES	± 2°

FINISH
SEE TABLE

DWN	C. BERTINI	02-1990
CHK	A. BRUNI	02-1990
APVD	-	-
PRODUCT SPEC	108-20090	
APPLICATION SPEC	412-20000	
WEIGHT	7.72g	
CUSTOMER DRAWING		

STE TE Connectivity

NAME
AMP SUPERSEAL 1.5 SRS.
5 POSITIONS TAB ASS'Y

SIZE	CAGE CODE	DRAWING NO	RESTRICTED TO
A300779	C-282107		

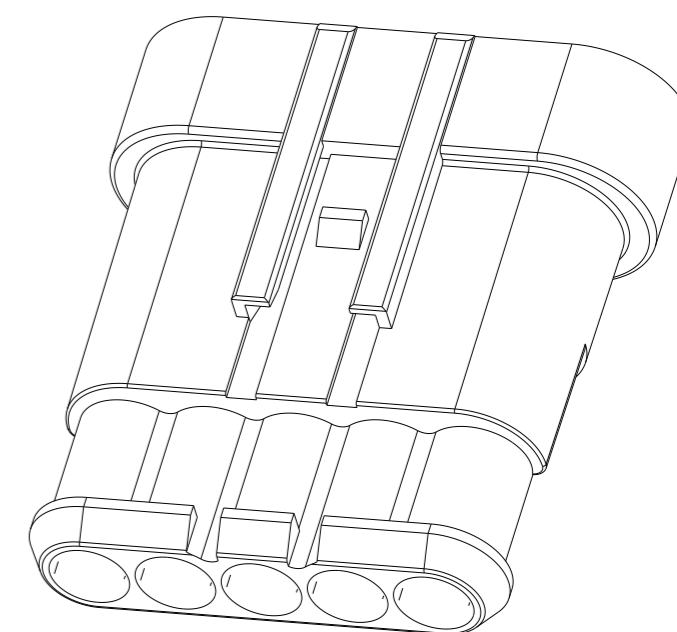
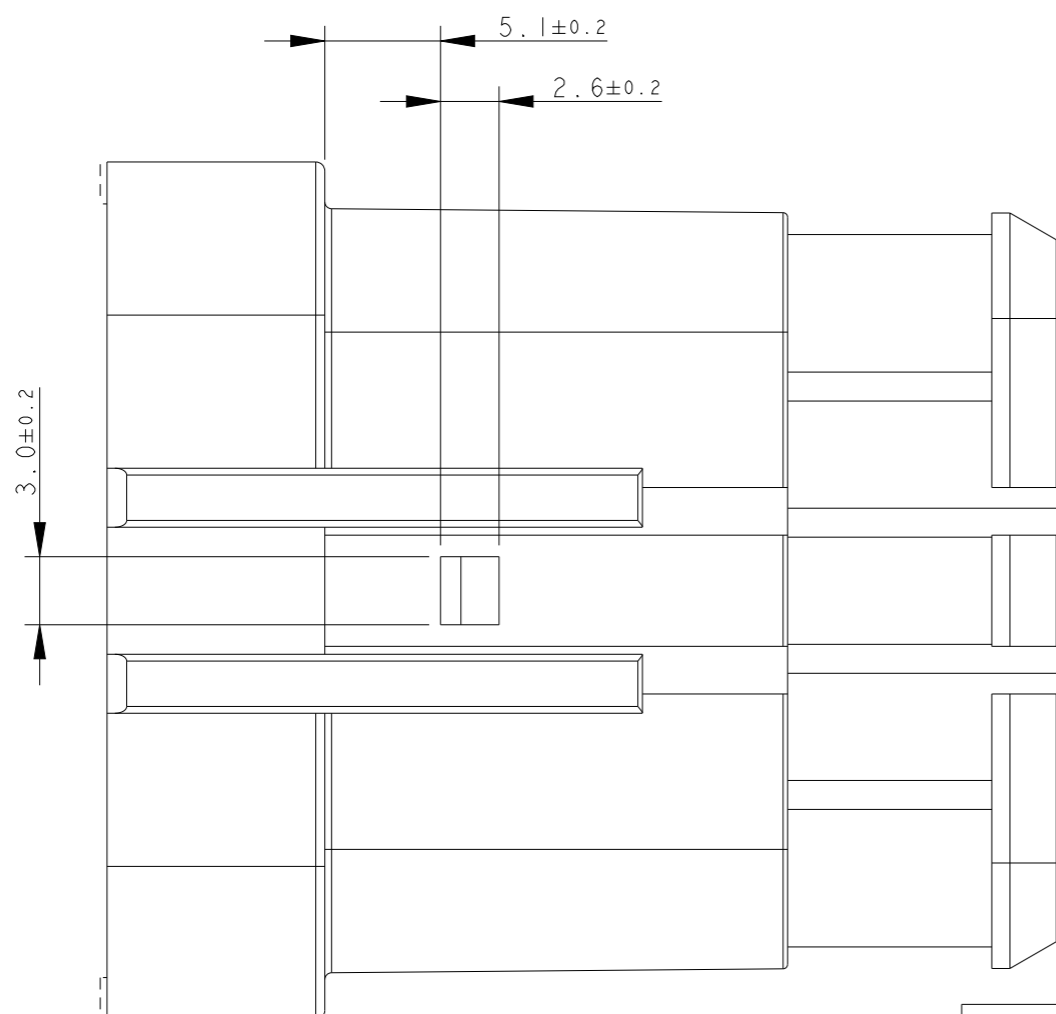
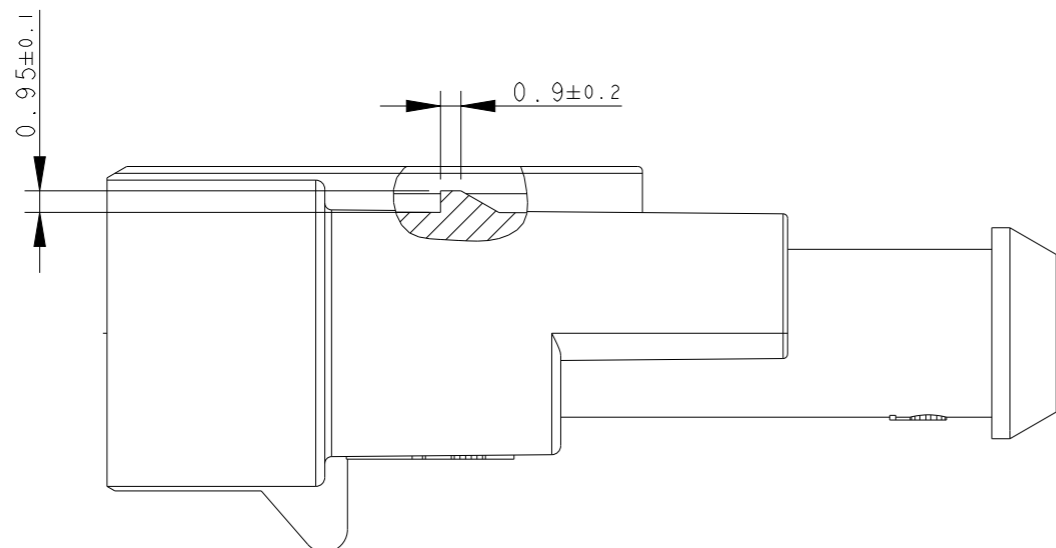
SCALE 14:5 SHEET 1 OF 2 REV B3

1470-19 (3/13)

REVISIONS

P	LTR	DESCRIPTION	DATE	DWN	APVD
-	-	SEE SHEET 1	-	-	-

REFER SHEET 1 FOR MISSING DIMENSIONS



4-282107-1 AS SHOWN

THIS DRAWING IS A CONTROLLED DOCUMENT.

DWN C. BERTINI 02-1990

CHK A. BRUNI 02-1990

APVD -

PRODUCT SPEC 108-20090

APPLICATION SPEC 412-20000

WEIGHT 7.72g

CUSTOMER DRAWING



TE Connectivity

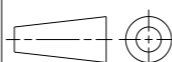
NAME AMP SUPERSEAL 1.5 SRS. 5 POSITIONS TAB ASS'Y

SIZE CAGE CODE DRAWING NO RESTRICTED TO

A300779 C-282107

SCALE 14:5 SHEET 2 OF 2 REV B3

DIMENSIONS: mm



TOLERANCES UNLESS OTHERWISE SPECIFIED:

- 0 PLC ±-
- 1 PLC ± 0.3
- 2 PLC ±-
- 3 PLC ±-
- 4 PLC ±-
- ANGLES ± 2°

MATERIAL - SEE TABLE

FINISH - SEE TABLE