

LVDS 4x4 CROSSPOINT SWITCH

Check for Samples: [SN65LVDT125A](#), [SN65LVDS125A](#)

FEATURES

- Signaling Rates >1.5 Gbps per Channel
- Supports Telecom/Datacom and HDTV Video Switching
- Non-Blocking Architecture Allows Each Output to be Connected to Any Input
- Compatible With ANSI TIA/EIA-644-A LVDS Standard
- 25 mV of Input Voltage Threshold Hysteresis
- Propagation Delay Times, 900 ps Typical
- Inputs Electrically Compatible With LVPECL, CML and LVDS Signal Levels
- Operates From a Single 3.3-V Supply
- Integrated 110-Ω Line Termination Resistors Available With SN65LVDT125A

APPLICATIONS

- Clock Buffering/Clock Muxing
- Wireless Base Stations
- High-Speed Network Routing
- HDTV Video Switching

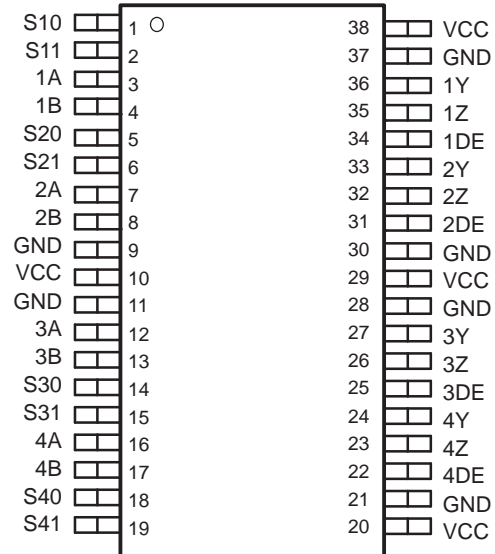
DESCRIPTION

The SN65LVDS125A and SN65LVDT125A are 4x4 nonblocking crosspoint switches. Low-voltage differential signaling (LVDS) is used to achieve signaling rates of 1.5 Gbps per channel. Each output driver includes a 4:1 multiplexer to allow any input to be routed to any output. Internal signal paths are fully differential to achieve the high signaling speeds while maintaining low signal skews. The SN65LVDT125A incorporates 110-Ω termination resistors for those applications where board space is a premium.

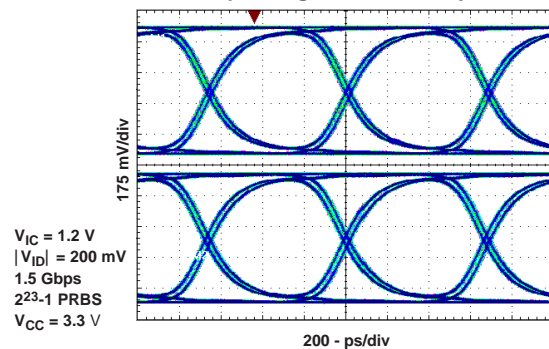
Designed to support signaling rates up to 1.5 Gbps for OC-12 clocks (622 MHz). The 1.5-Gbps signaling rate allows use in HDTV systems, including SMPTE 292 video applications requiring signaling rates of 1.485 Gbps.

The SN65LVDS125A and SN65LVDT125A are characterized for operation from -40°C to 85°C.

SN65LVDS125ADB (Marked as LVDS125A)
SN65LVDT125ADB (Marked as LVDT125A)
(TOP VIEW)



Eye Pattern of Two Outputs
Operating Simultaneously

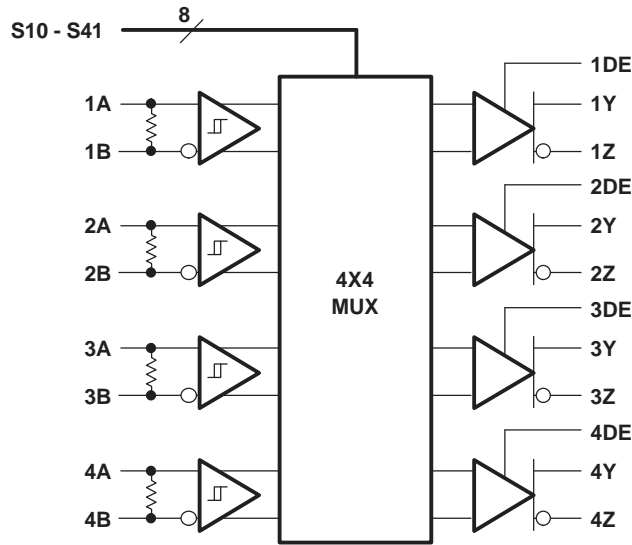


Please be aware that an important notice concerning availability, standard warranty, and use in critical applications of Texas Instruments semiconductor products and disclaimers thereto appears at the end of this data sheet.



These devices have limited built-in ESD protection. The leads should be shorted together or the device placed in conductive foam during storage or handling to prevent electrostatic damage to the MOS gates.

LOGIC DIAGRAM



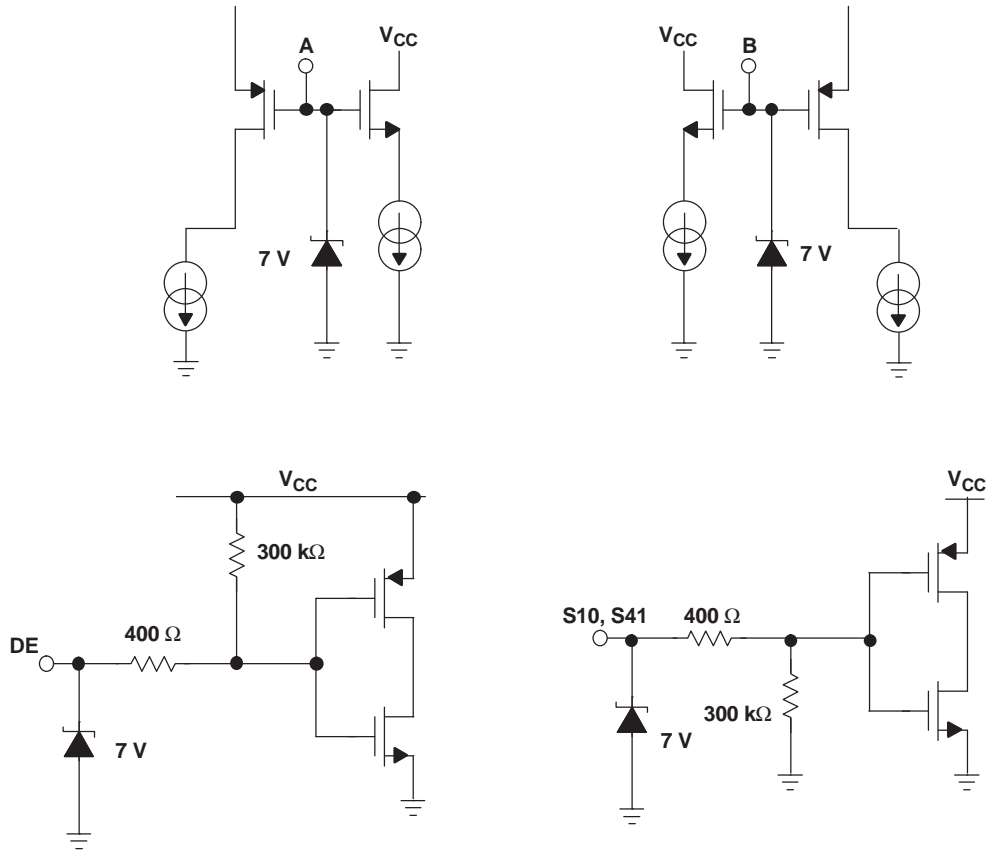
Integrated 110-Ω Termination on LVDT Only

SN65LVDS125A Pin Description

Pin Numbers	Pin Description
S10 - S41	Inputs; Input channel to out output channel selection control pins
1A, 2A, 3A, 4A	Inputs; Positive leg of LVDS data input
1B, 2B, 3B, 4B	Inputs; Negative leg of LVDS data input
1Y, 2Y, 3Y, 4Y	Outputs; Positive leg of LVDS data output
1Z, 2Z, 3Z, 4Z	Outputs; Negative leg of LVDS data output
1DE, 2DE, 3DE, 4DE	Inputs; Output port disable
V _{CC}	Input Voltage
GND	Ground

EQUIVALENT INPUT AND OUTPUT SCHEMATIC DIAGRAMS

INPUT LVDS125A



OUTPUT LVDS125A

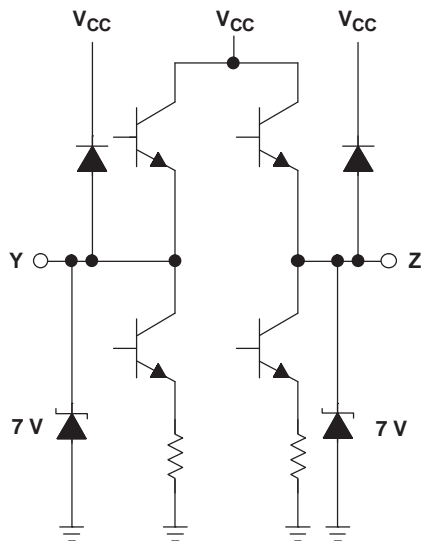


Table 1. CROSSPOINT LOGIC TABLES

OUTPUT CHANNEL 1			OUTPUT CHANNEL 2			OUTPUT CHANNEL 3			OUTPUT CHANNEL 4		
CONTROL PINS		INPUT SELECTED	CONTROL PINS		INPUT SELECTED	CONTROL PINS		INPUT SELECTED	CONTROL PINS		INPUT SELECTED
S10	S11	1Y/1Z	S20	S21	2Y/2Z	S30	S31	3Y/3Z	S40	S41	4Y/4Z
0	0	1A/1B	0	0	1A/1B	0	0	1A/1B	0	0	1A/1B
0	1	2A/2B	0	1	2A/2B	0	1	2A/2B	0	1	2A/2B
1	0	3A/3B	1	0	3A/3B	1	0	3A/3B	1	0	3A/3B
1	1	4A/4B	1	1	4A/4B	1	1	4A/4B	1	1	4A/4B

PACKAGE DISSIPATION RATINGS

PACKAGE	CIRCUIT BOARD MODEL	$T_A \leq 25^\circ\text{C}$ POWER RATING	DERATING FACTOR ⁽¹⁾ ABOVE $T_A = 25^\circ\text{C}$	$T_A = 85^\circ\text{C}$ POWER RATING
TSSOP (DBT)	High-K ⁽²⁾	1772 mW	15.4 mW/°C	847 mW

- (1) This is the inverse of the junction-to-ambient thermal resistance when board-mounted and with no air flow.
- (2) In accordance with the High-K thermal metric definitions of EIA/JESD51-6.

THERMAL CHARACTERISTICS

PARAMETER		TEST CONDITIONS	VALUE	UNITS	
θ_{JB}	Junction-to-board thermal resistance		40.3	°C/W	
θ_{JC}	Junction-to-case thermal resistance		8.5		
P_D	Device power dissipation	Typical	$V_{CC} = 3.3\text{ V}, T_A = 25^\circ\text{C}, 750\text{ MHz}$	356	mW
		Maximum	$V_{CC} = 3.6\text{ V}, T_A = 85^\circ\text{C}, 750\text{ MHz}$	522	mW

ABSOLUTE MAXIMUM RATINGS

over operating free-air temperature range unless otherwise noted⁽¹⁾

			UNITS
Supply voltage range, V_{CC}			-0.5 V to 4 V
Voltage range ⁽²⁾	S, DE		-0.5 V to 4 V
	(A, B)		-0.5 V to 4 V
	$ V_A - V_B $ (LVDT only)		1 V
	(Y, Z)		-0.5 V to 4 V
Electrostatic discharge	Human body model ⁽³⁾	All pins	±3 kV
	Charged-device model ⁽⁴⁾	All pins	±500 V
Continuous power dissipation			See Dissipation Rating Table
Storage temperature range			-65°C to 150°C

- (1) Stresses beyond those listed under "absolute maximum ratings" may cause permanent damage to the device. These are stress ratings only, and functional operation of the device at these or any other conditions beyond those indicated under "recommended operating conditions" is not implied. Exposure to absolute-maximum-rated conditions for extended periods may affect device reliability.
- (2) All voltage values, except differential I/O bus voltages, are with respect to network ground terminal.
- (3) Tested in accordance with JEDEC Standard 22, Test Method A114-A.
- (4) Tested in accordance with JEDEC Standard 22, Test Method C101.

RECOMMENDED OPERATING CONDITIONS

		MIN	NOM	MAX	UNIT
Supply voltage, V_{CC}		3	3.3	3.6	V
High-level input voltage, V_{IH}	S10-S41, 1DE-4DE	2			V
Low-level input voltage, V_{IL}	S10-S41, 1DE-4DE			0.8	V
Magnitude of differential input voltage $ V_{ID} $	LVDS	0.1			V
	LVDT	0.1	0.8		V
Input voltage (any combination of common-mode or input signals)		0		3.3	V
Junction temperature, T_J				140	°C
Operating free-air temperature, T_A ⁽¹⁾		-40	85		°C

(1) Maximum free-air temperature operation is allowed as long as the device maximum junction temperature is not exceeded.

TIMING SPECIFICATIONS

PARAMETER		MIN	NOM	MAX	UNIT
t_{SET}	Input to select setup time	0.6			ns
t_{HOLD}	Input to select hold time	0.2			ns
t_{SWITCH}	Select to switch output	1.2	1.6		ns

INPUT ELECTRICAL CHARACTERISTICS

over recommended operating conditions unless otherwise noted⁽¹⁾

PARAMETER		TEST CONDITIONS		MIN	TYP ⁽¹⁾	MAX	UNIT
V_{IT+}	Positive-going differential input voltage threshold	See Figure 1		100			mV
V_{IT-}	Negative-going differential input voltage threshold	See Figure 1		-100			mV
$V_{ID(HYS)}$	Differential input voltage hysteresis			25			mV
I_{IH}	High-level input current	1DE-4DE	$V_{IH} = 2\text{ V}$			-10	μA
		S10-S41				20	
I_{IL}	Low-level input current	1DE-4DE	$V_{IL} = 0.8\text{ V}$			-10	μA
		S10-S41				20	
I_I	Input current	$V_I = 0\text{ V}$ or 3.3 V , Second input at 1.2 V (other input open for LVDT)		-20	20		μA
$I_{I(OFF)}$	Input current	$V_{CC} \leq 1.5\text{ V}$, $V_I = 0\text{ V}$ or 3.3 V , Second input at 1.2 V (other input open for LVDT)		-20	20		μA
I_{IO}	Input offset current ($ I_{IA} - I_{IB} $) (LVDS)	$V_{IA} = V_{IB}$, $0 \leq V_{IA} \leq 3.3\text{ V}$		-6	6		μA
R_T	Termination resistance ('LVDT)	$V_{ID} = 300\text{ mV}$, $V_{IC} = 0\text{ V}$ to 3.3 V		90	110	132	Ω
	Termination resistance ('LVDT with power-off)	$V_{ID} = 300\text{ mV}$, $V_{IC} = 0\text{ V}$ to 3.3 V , $V_{CC} = 1.5\text{ V}$		90	110	132	
C_T	Differential input capacitance			0.6			pF

(1) All typical values are at 25°C and with a 3.3 V supply.

OUTPUT ELECTRICAL CHARACTERISTICS

over recommended operating conditions unless otherwise noted⁽¹⁾

PARAMETER		TEST CONDITIONS	MIN	TYP	MAX	UNIT
$ V_{OD} $	Differential output voltage magnitude	See Figure 2, $V_{ID} = \pm 100$ mV	247	350	454	mV
$\Delta V_{OD} $	Change in differential output voltage magnitude between logic states		-50		50	mV
$V_{OC(SS)}$	Steady-state common-mode output voltage	See Figure 3	1.125		1.375	V
$\Delta V_{OC(SS)}$	Change in steady-state common-mode output voltage between logic states		-50		50	mV
$V_{OC(PP)}$	Peak-to-peak common-mode output voltage			50	150	mV
I_{CC}	Supply current	$R_L = 100 \Omega$, $C_L = 1$ pF		107	145	mA
I_{OS}	Short-circuit output current	V_{OY} or $V_{OZ} = 0$ V	-27		27	mA
I_{OSD}	Differential short circuit output current	$V_{OD} = 0$ V	-12		12	mA
I_{OZ}	High-impedance output current	$V_O = 0$ V or V_{CC}	-1		± 1	μ A
C_O	Differential output capacitance			1.2		pF

(1) All typical values are at 25°C and with a 3.3 V supply.

SWITCHING CHARACTERISTICS

over recommended operating conditions unless otherwise noted⁽¹⁾

PARAMETER		TEST CONDITIONS	MIN	TYP	MAX	UNIT
t_{PLH}	Propagation delay time, low-to-high-level output	See Figure 4	700	900	1200	ps
t_{PHL}	Propagation delay time, high-to-low-level output		700	900	1200	
t_r	Differential output signal rise time (20%-80%)			210	270	
t_f	Differential output signal fall time (20%-80%)			210	270	
$t_{sk(p)}$	Pulse skew ($ t_{PHL} - t_{PLH} $) ⁽¹⁾			0	50	ps
$t_{sk(o)}$	Channel-to-channel output skew ⁽²⁾				150	ps
$t_{sk(pp)}$	Part-to-part skew ⁽³⁾				300	ps
$t_{jit(per)}$	Period jitter, rms (1 standard deviation) ⁽⁴⁾	750 MHz clock input ⁽⁵⁾ (see Figure 6)		0.4	3	ps
$t_{jit(cc)}$	Cycle-to-cycle jitter (peak) ⁽⁴⁾	750 MHz clock input ⁽⁶⁾ (see Figure 6)		4.7	13	ps
$t_{jit(pp)}$	Peak-to-peak jitter ⁽⁴⁾	1.5 Gbps 2 ²³ -1 PRBS input ⁽⁷⁾ (see Figure 6)		65	110	ps
$t_{jit(det)}$	Deterministic jitter, peak-to-peak ⁽⁴⁾	1.5 Gbps 2 ⁷ -1 PRBS input ⁽⁸⁾ (see Figure 6)		56	90	ps
t_{PHZ}	Propagation delay, high-level-to-high-impedance output	See Figure 5			6	ns
t_{PLZ}	Propagation delay, low-level-to-high-impedance output				6	
t_{PZH}	Propagation delay, high-impedance -to-high-level output				300	
t_{PZL}	Propagation delay, high-impedance-to-low-level output				300	

(1) $t_{sk(p)}$ is the magnitude of the time difference between the t_{PLH} and t_{PHL} of any output of a single device.

(2) $t_{sk(o)}$ is the maximum delay time difference between drivers over temperature, V_{CC} , and process.

(3) $t_{sk(pp)}$ is the magnitude of the difference in propagation delay times between any specified terminals of two devices when both devices operate with the same supply voltages, at the same temperature, and have identical packages and test circuits.

(4) Jitter specifications are based on design and characterization. Stimulus system jitter of 1.9 ps $t_{jit(per)}$, 16 ps $t_{jit(cc)}$, 17 ps $t_{jit(pp)}$, and 7.2 ps $t_{jit(det)}$ have been subtracted from the values.

(5) Input voltage = $V_{ID} = 200$ mV, 50% duty cycle at 750 MHz, $t_r = t_f = 50$ ps (20% to 80%), measured over 1000 samples.

(6) Input voltage = $V_{ID} = 200$ mV, 50% duty cycle at 750 MHz, $t_r = t_f = 50$ ps (20% to 80%).

(7) Input voltage = $V_{ID} = 200$ mV, 2²³-1 PRBS pattern at 1.5 Gbps, $t_r = t_f = 50$ ps (20% to 80%), measured over 200k samples.

(8) Input voltage = $V_{ID} = 200$ mV, 2⁷-1 PRBS pattern at 1.5 Gbps, $t_r = t_f = 50$ ps (20% to 80%).

PARAMETER MEASUREMENT INFORMATION

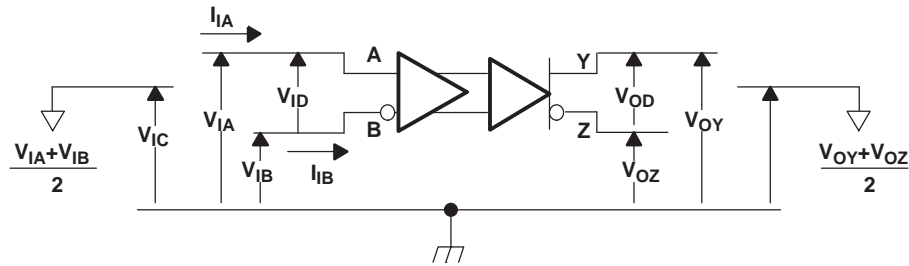


Figure 1. Voltage and Current Definitions

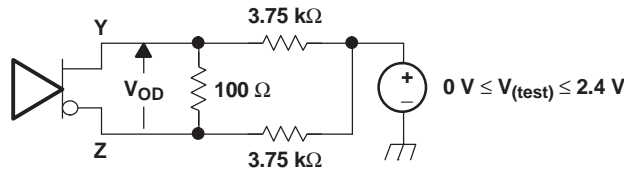
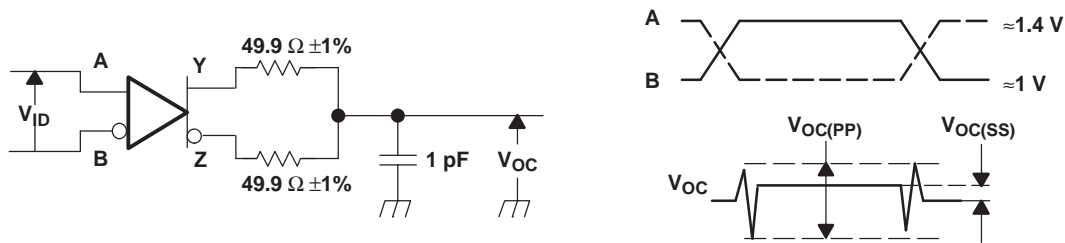
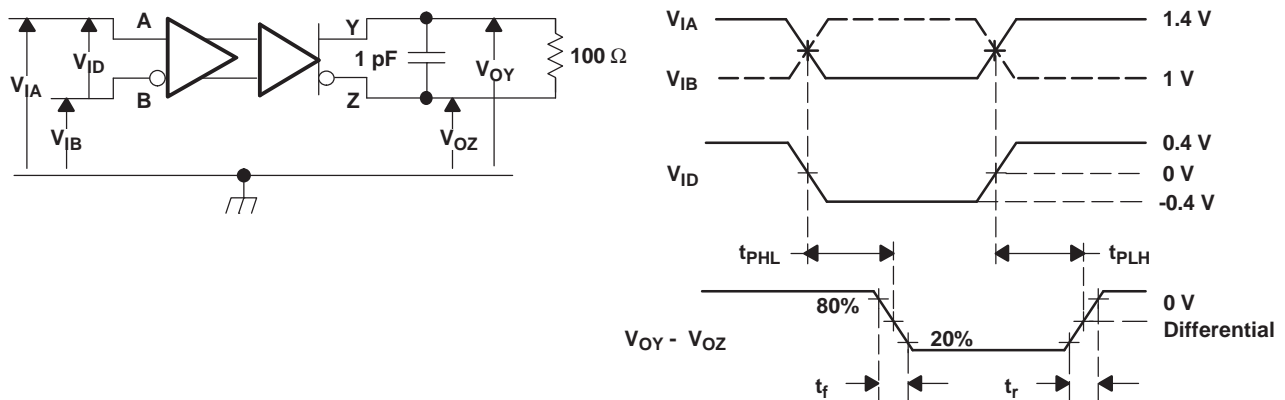


Figure 2. Differential Output Voltage (V_{OD}) Test Circuit



NOTE: All input pulses are supplied by a generator having the following characteristics: t_r or $t_f \leq 1$ ns, pulse-repetition rate (PRR) = 0.5 Mpps, pulse width = 500 ± 10 ns; $R_L = 100\Omega$; C_L includes instrumentation and fixture capacitance within 0,06 mm of the D.U.T.; the measurement of $V_{OC(PP)}$ is made on test equipment with a -3 dB bandwidth of at least 300 MHz.

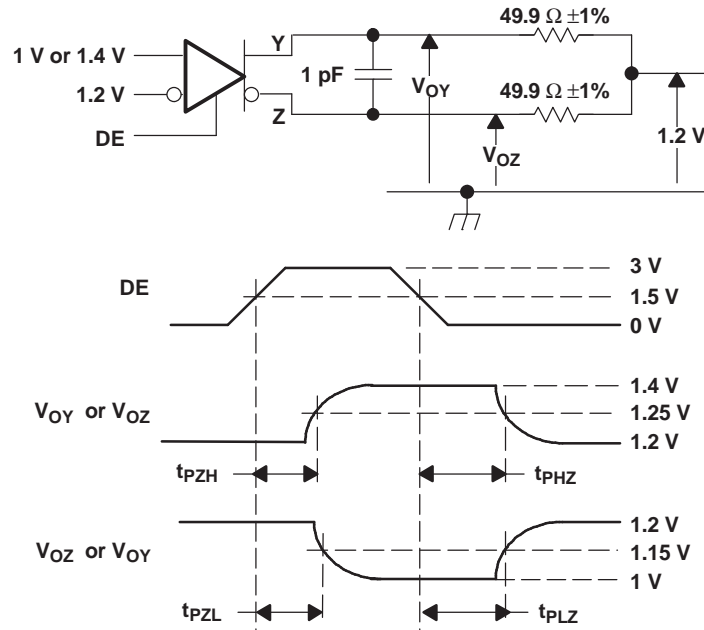
Figure 3. Test Circuit and Definitions for the Driver Common-Mode Output Voltage



NOTE: All input pulses are supplied by a generator having the following characteristics: t_r or $t_f \leq .25$ ns, pulse-repetition rate (PRR) = 0.5 Mpps, pulse width = 500 ± 10 ns. C_L includes instrumentation and fixture capacitance within 0,06 mm of the D.U.T.

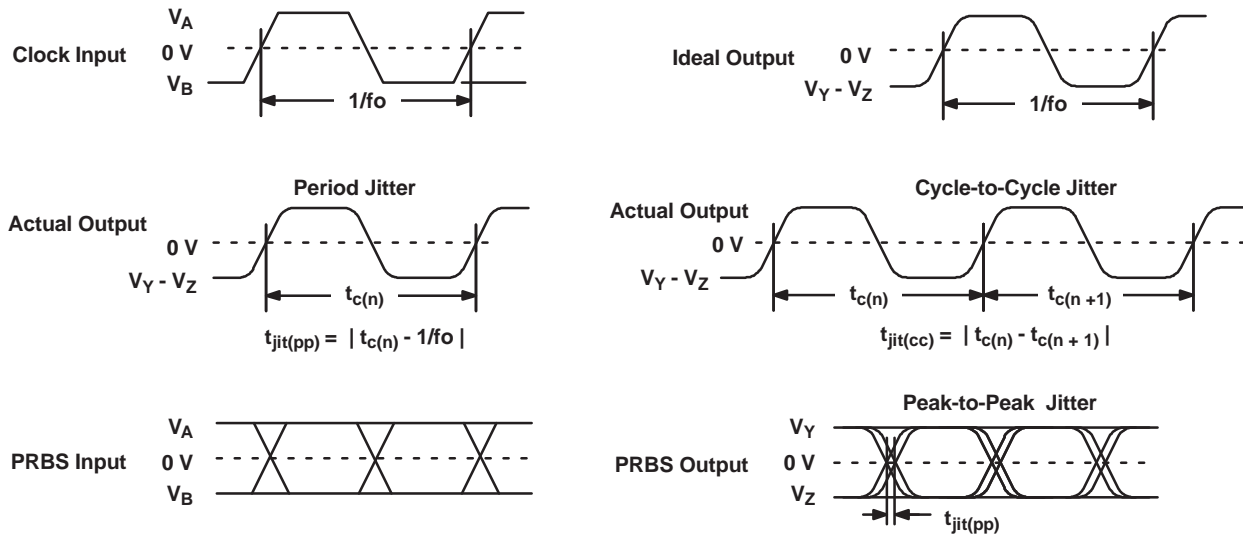
Figure 4. Timing Test Circuit and Waveforms

PARAMETER MEASUREMENT INFORMATION (continued)



NOTE: All input pulses are supplied by a generator having the following characteristics: t_r or $t_f \leq 1$ ns, pulse-repetition rate (PRR) = 0.5 Mpps, pulse width = 500 ± 10 ns. C_L includes instrumentation and fixture capacitance within 0,06 mm of the D.U.T.

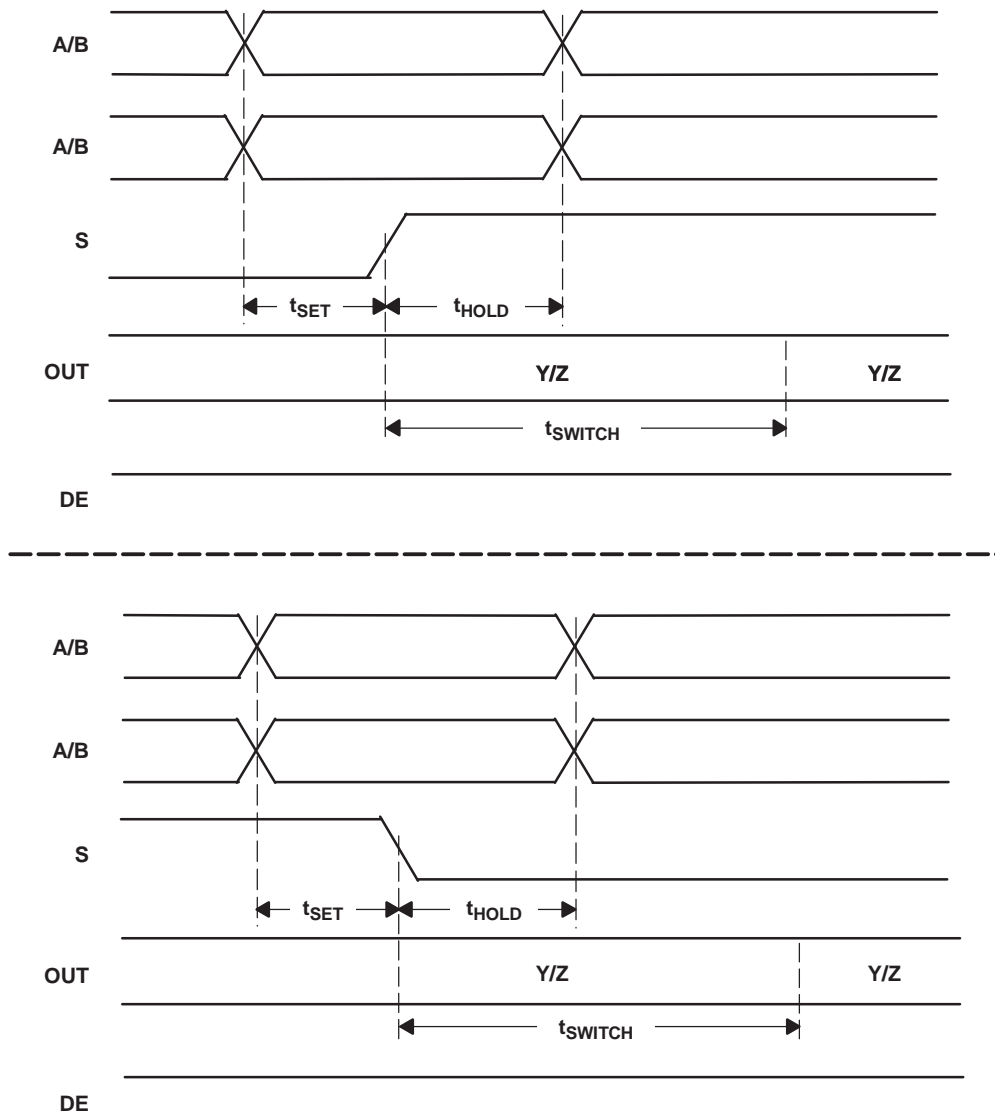
Figure 5. Enable and Disable Time Circuit and Definitions



NOTE: All input pulses are supplied by an Agilent 81250 Stimulus System. The measurement is made on a TEK TDS6604 running TDSJIT3 application software.

Figure 6. Driver Jitter Measurement Waveforms

PARAMETER MEASUREMENT INFORMATION (continued)



NOTE: t_{SET} and t_{HOLD} times specify that data must be in a stable state before and after mux control switches.

Figure 7. Input to Select for Both Rising and Falling Edge Setup and Hold Times

TYPICAL CHARACTERISTICS

**SUPPLY CURRENT
VS
FREQUENCY**

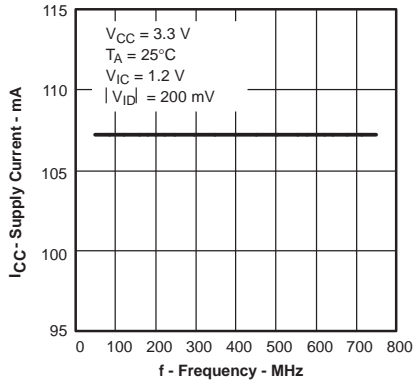


Figure 8.

**PROPAGATION DELAY TIME
VS
FREE-AIR TEMPERATURE**

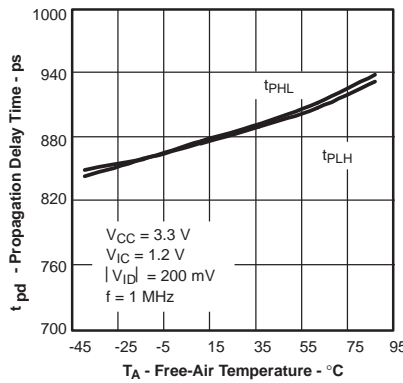


Figure 9.

**PROPAGATION DELAY TIME
VS
COMMON-MODE INPUT VOLTAGE**

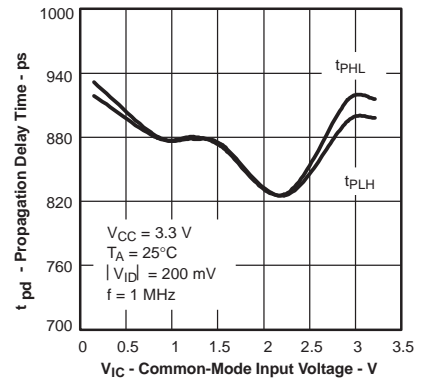


Figure 10.

**PEAK-TO-PEAK JITTER
VS
FREQUENCY**

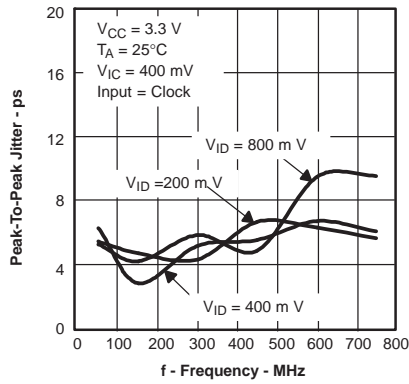


Figure 11.

**PEAK-TO-PEAK JITTER
VS
DATA RATE**

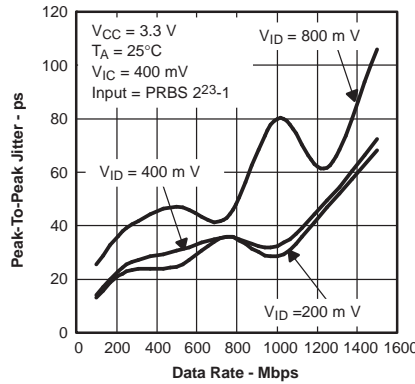


Figure 12.

**PEAK-TO-PEAK JITTER
VS
FREQUENCY**

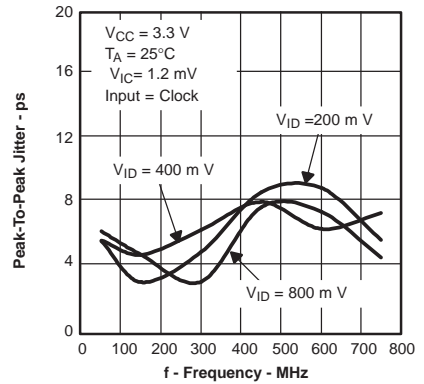


Figure 13.

**PEAK-TO-PEAK JITTER
VS
DATA RATE**

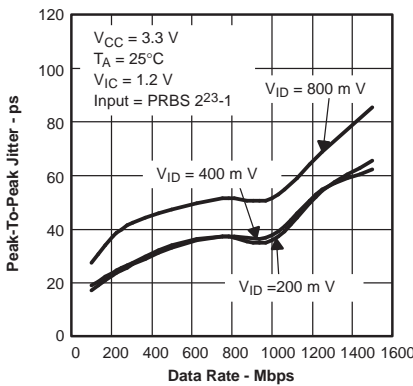


Figure 14.

**PEAK-TO-PEAK JITTER
VS
FREQUENCY**

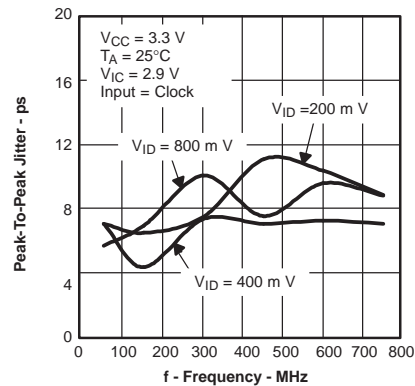


Figure 15.

**PEAK-TO-PEAK JITTER
VS
DATA RATE**

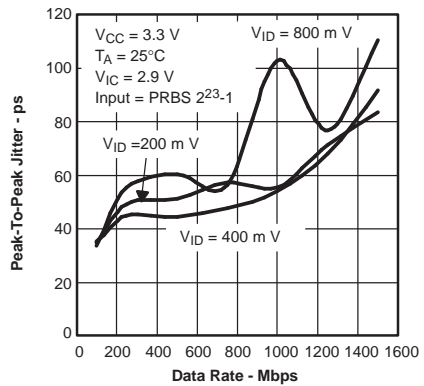
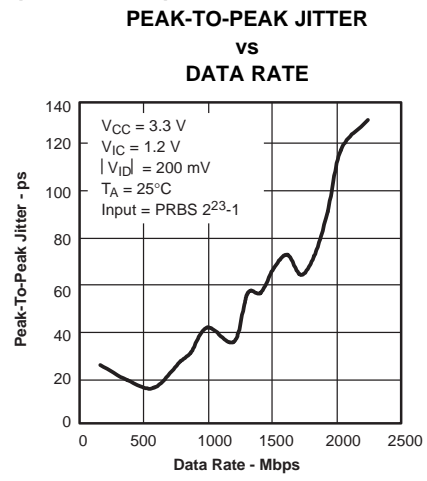
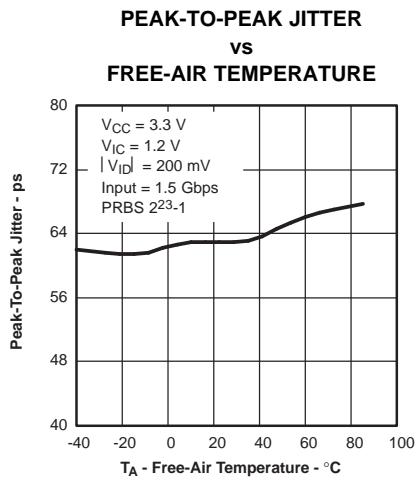


Figure 16.

TYPICAL CHARACTERISTICS (continued)

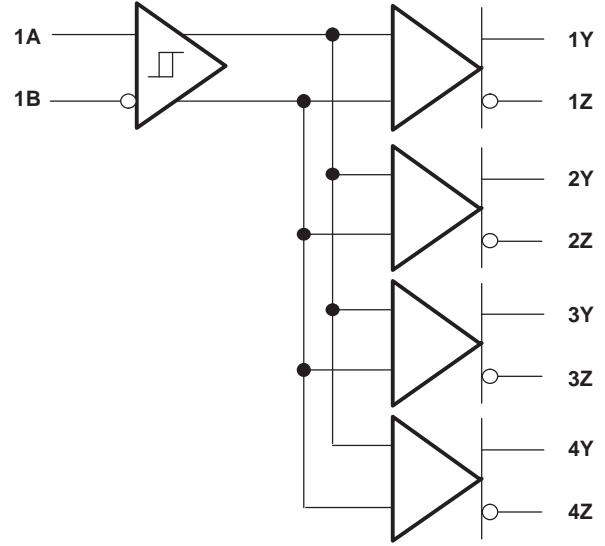
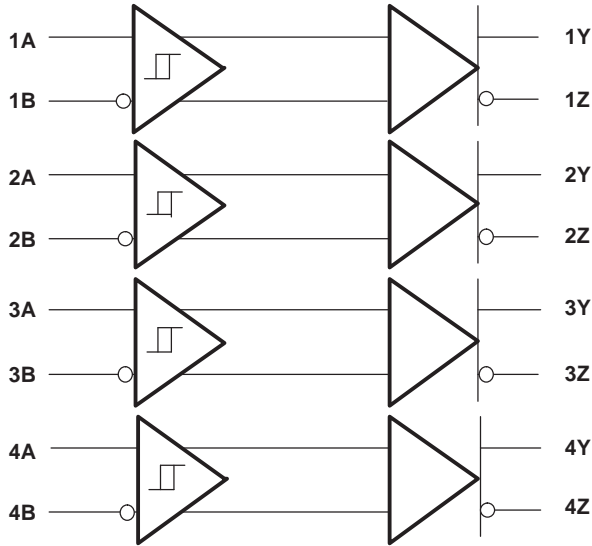


APPLICATION INFORMATION

CONFIGURATION EXAMPLES

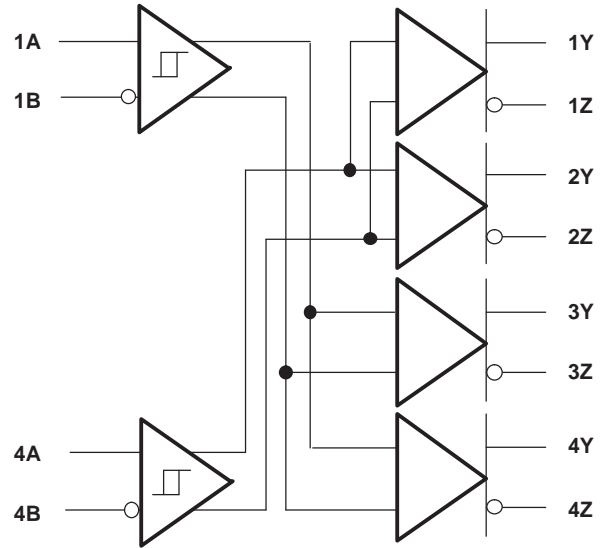
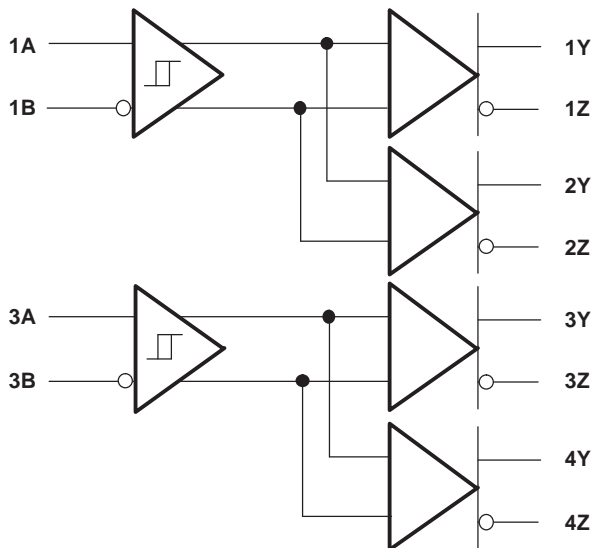
S10	S11	S20	S21
0	0	0	1
S30	S31	S40	S41
1	0	1	1

S10	S11	S20	S21
0	0	0	0
S30	S31	S40	S41
0	0	0	0



S10	S11	S20	S21
0	0	0	0
S30	S31	S40	S41
1	0	1	0

S10	S11	S20	S21
1	1	1	1
S30	S31	S40	S41
0	0	0	0



TYPICAL APPLICATION CIRCUITS (ECL, PECL, LVDS, etc.)

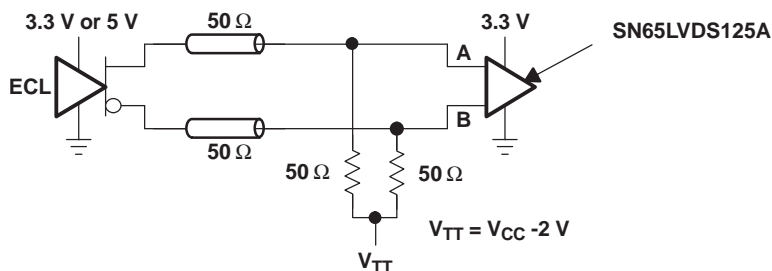


Figure 20. Low-Voltage Positive Emitter-Coupled Logic (LVPECL)

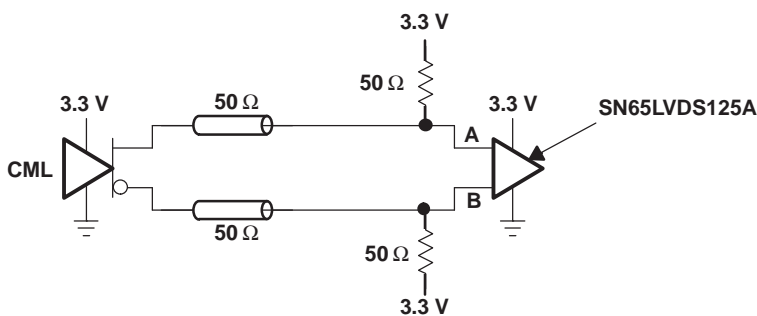


Figure 21. Current-Mode Logic (CML)

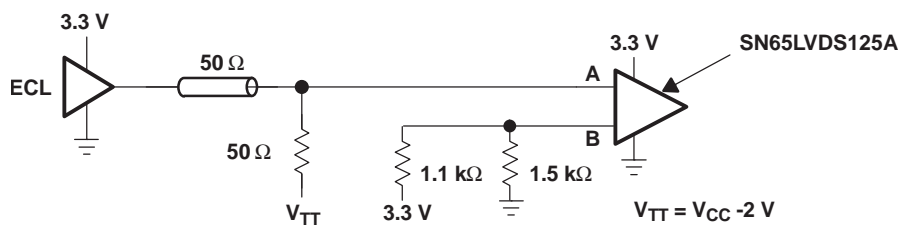


Figure 22. Single-Ended (LVPECL)

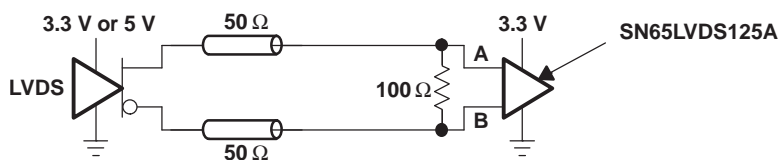


Figure 23. Low-Voltage Differential Signaling (LVDS)

See the EVM Users Guide ([SLLU064](#)) for example board layout and schematics examples.

PACKAGING INFORMATION

Orderable Device	Status (1)	Package Type	Package Drawing	Pins	Package Qty	Eco Plan (2)	Lead finish/ Ball material (6)	MSL Peak Temp (3)	Op Temp (°C)	Device Marking (4/5)	Samples
SN65LVDS125ADBT	ACTIVE	TSSOP	DBT	38	50	RoHS & Green	NIPDAU	Level-2-260C-1 YEAR	-40 to 85	LVDS125A	Samples
SN65LVDS125ADBTR	ACTIVE	TSSOP	DBT	38	2000	RoHS & Green	NIPDAU	Level-2-260C-1 YEAR	-40 to 85	LVDS125A	Samples
SN65LVDS125ADBTRG4	ACTIVE	TSSOP	DBT	38	2000	RoHS & Green	NIPDAU	Level-2-260C-1 YEAR	-40 to 85	LVDS125A	Samples
SN65LVDT125ADBT	ACTIVE	TSSOP	DBT	38	50	RoHS & Green	NIPDAU	Level-2-260C-1 YEAR	-40 to 85	LVDT125A	Samples

(1) The marketing status values are defined as follows:

ACTIVE: Product device recommended for new designs.

LIFEBUY: TI has announced that the device will be discontinued, and a lifetime-buy period is in effect.

NRND: Not recommended for new designs. Device is in production to support existing customers, but TI does not recommend using this part in a new design.

PREVIEW: Device has been announced but is not in production. Samples may or may not be available.

OBSOLETE: TI has discontinued the production of the device.

(2) **RoHS:** TI defines "RoHS" to mean semiconductor products that are compliant with the current EU RoHS requirements for all 10 RoHS substances, including the requirement that RoHS substance do not exceed 0.1% by weight in homogeneous materials. Where designed to be soldered at high temperatures, "RoHS" products are suitable for use in specified lead-free processes. TI may reference these types of products as "Pb-Free".

RoHS Exempt: TI defines "RoHS Exempt" to mean products that contain lead but are compliant with EU RoHS pursuant to a specific EU RoHS exemption.

Green: TI defines "Green" to mean the content of Chlorine (Cl) and Bromine (Br) based flame retardants meet JS709B low halogen requirements of <=1000ppm threshold. Antimony trioxide based flame retardants must also meet the <=1000ppm threshold requirement.

(3) MSL, Peak Temp. - The Moisture Sensitivity Level rating according to the JEDEC industry standard classifications, and peak solder temperature.

(4) There may be additional marking, which relates to the logo, the lot trace code information, or the environmental category on the device.

(5) Multiple Device Markings will be inside parentheses. Only one Device Marking contained in parentheses and separated by a "-" will appear on a device. If a line is indented then it is a continuation of the previous line and the two combined represent the entire Device Marking for that device.

(6) Lead finish/Ball material - Orderable Devices may have multiple material finish options. Finish options are separated by a vertical ruled line. Lead finish/Ball material values may wrap to two lines if the finish value exceeds the maximum column width.

Important Information and Disclaimer:The information provided on this page represents TI's knowledge and belief as of the date that it is provided. TI bases its knowledge and belief on information provided by third parties, and makes no representation or warranty as to the accuracy of such information. Efforts are underway to better integrate information from third parties. TI has taken and

continues to take reasonable steps to provide representative and accurate information but may not have conducted destructive testing or chemical analysis on incoming materials and chemicals. TI and TI suppliers consider certain information to be proprietary, and thus CAS numbers and other limited information may not be available for release.

In no event shall TI's liability arising out of such information exceed the total purchase price of the TI part(s) at issue in this document sold by TI to Customer on an annual basis.

TAPE AND REEL INFORMATION



QUADRANT ASSIGNMENTS FOR PIN 1 ORIENTATION IN TAPE



*All dimensions are nominal

Device	Package Type	Package Drawing	Pins	SPQ	Reel Diameter (mm)	Reel Width W1 (mm)	A0 (mm)	B0 (mm)	K0 (mm)	P1 (mm)	W (mm)	Pin1 Quadrant
SN65LVDS125ADBTR	TSSOP	DBT	38	2000	330.0	16.4	6.9	10.2	1.8	12.0	16.0	Q1

TAPE AND REEL BOX DIMENSIONS



*All dimensions are nominal

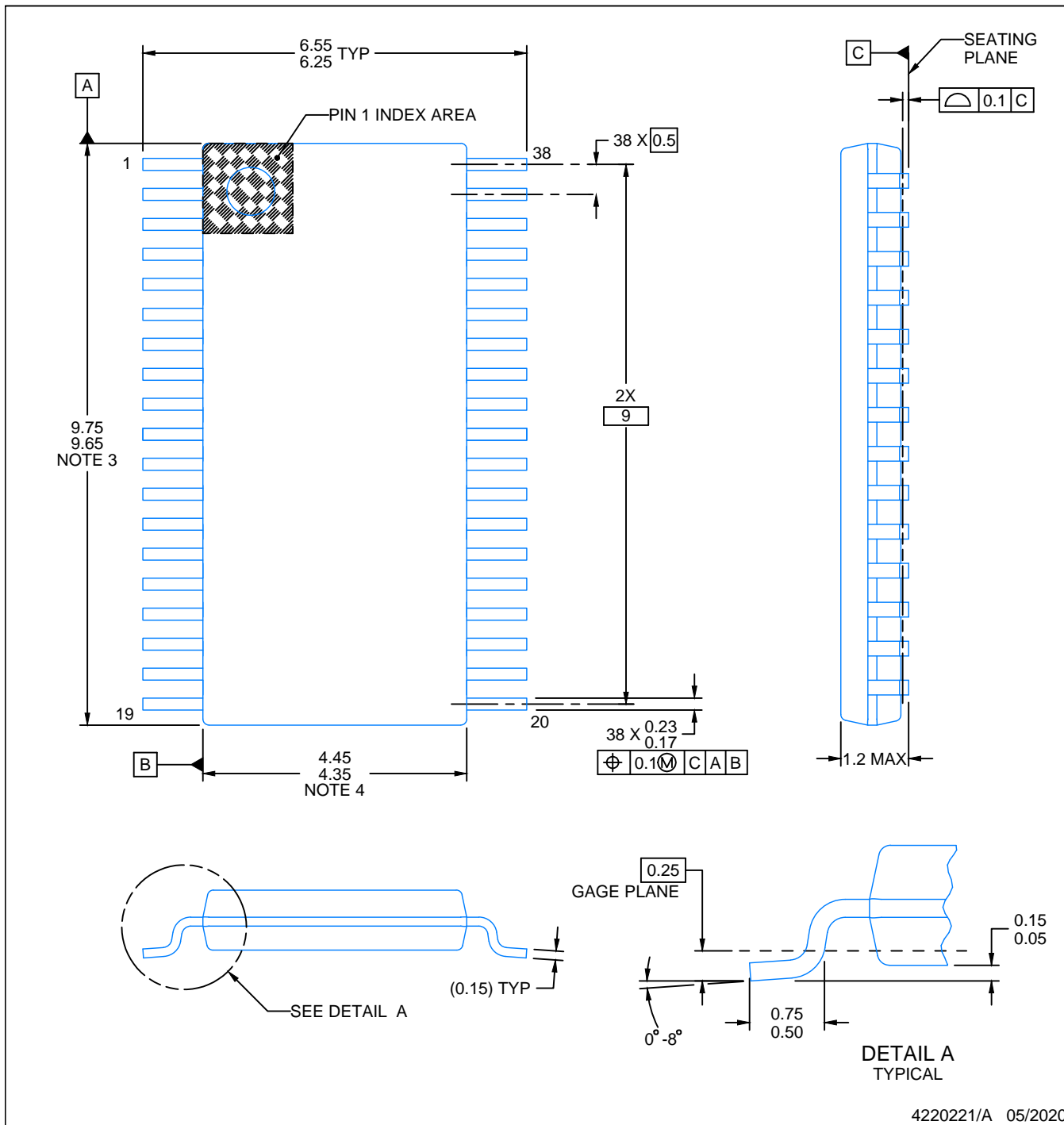
Device	Package Type	Package Drawing	Pins	SPQ	Length (mm)	Width (mm)	Height (mm)
SN65LVDS125ADBTR	TSSOP	DBT	38	2000	350.0	350.0	43.0

PACKAGE OUTLINE

DBT0038A

TSSOP - 1.2 mm max height

SMALL OUTLINE PACKAGE



NOTES:

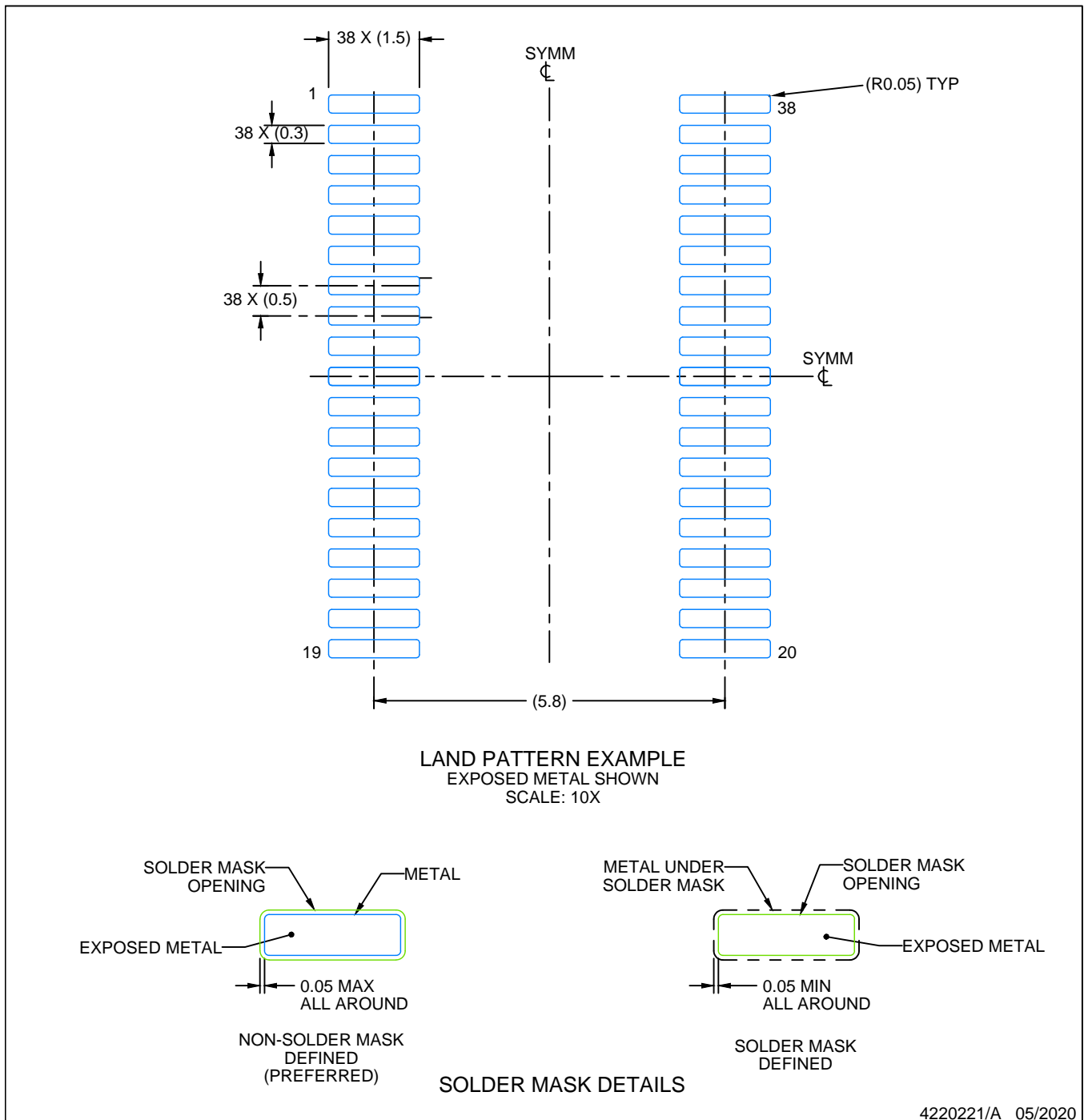
1. All linear dimensions are in millimeters. Any dimensions in parenthesis are for reference only. Dimensioning and tolerancing per ASME Y14.5M.
2. This drawing is subject to change without notice.
3. This dimension does not include mold flash, protrusions, or gate burrs. Mold flash, protrusions, or gate burrs shall not exceed 0.15 mm per side.
4. This dimension does not include interlead flash. Interlead flash shall not exceed 0.25 mm per side.
5. Reference JEDEC registration MO-153.

EXAMPLE BOARD LAYOUT

DBT0038A

TSSOP - 1.2 mm max height

SMALL OUTLINE PACKAGE



NOTES: (continued)

6. Publication IPC-7351 may have alternate designs.

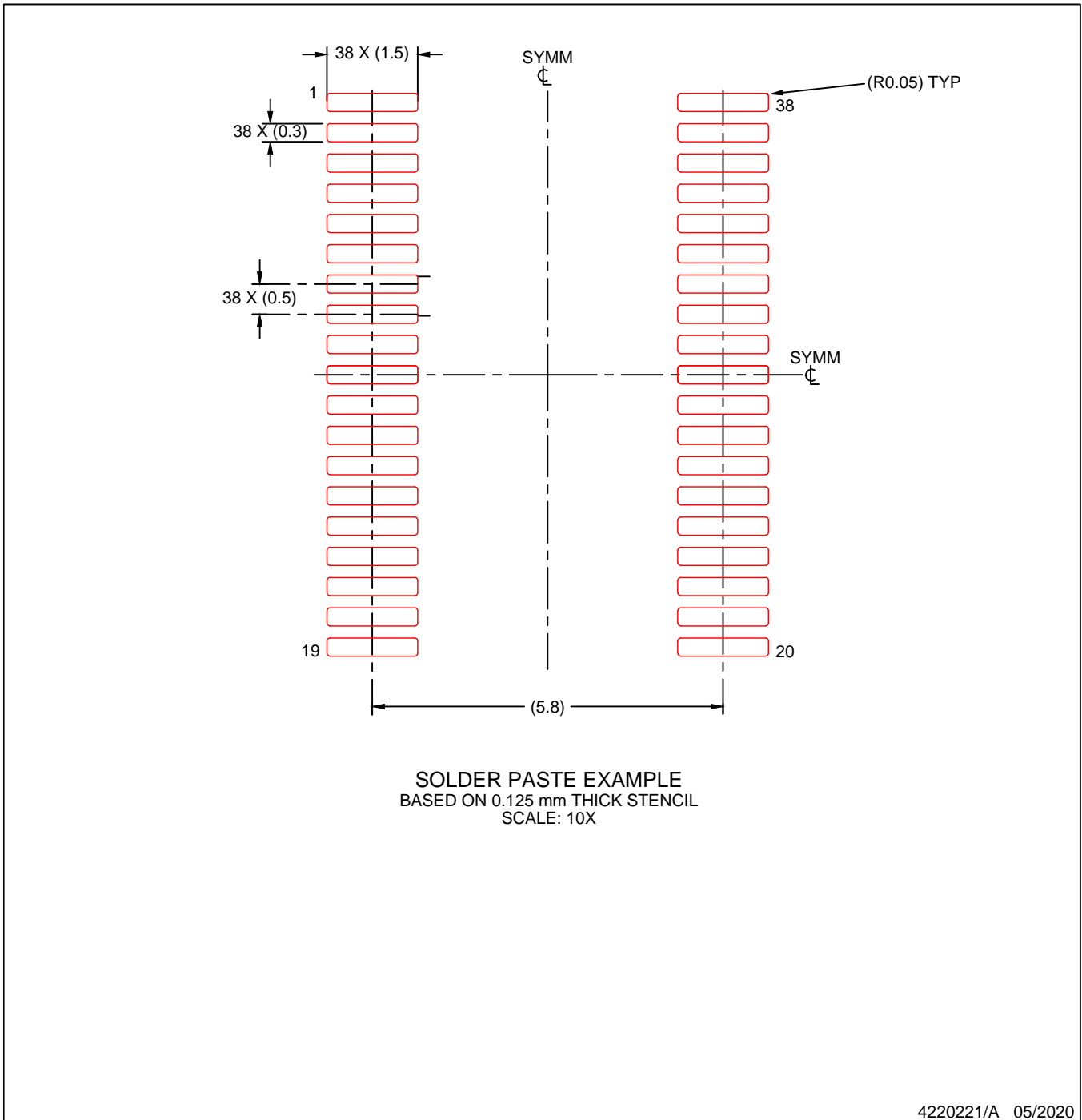
7. Solder mask tolerances between and around signal pads can vary based on board fabrication site.

EXAMPLE STENCIL DESIGN

DBT0038A

TSSOP - 1.2 mm max height

SMALL OUTLINE PACKAGE



NOTES: (continued)

8. Laser cutting apertures with trapezoidal walls and rounded corners may offer better paste release. IPC-7525 may have alternate design recommendations.
9. Board assembly site may have different recommendations for stencil design.

IMPORTANT NOTICE AND DISCLAIMER

TI PROVIDES TECHNICAL AND RELIABILITY DATA (INCLUDING DATASHEETS), DESIGN RESOURCES (INCLUDING REFERENCE DESIGNS), APPLICATION OR OTHER DESIGN ADVICE, WEB TOOLS, SAFETY INFORMATION, AND OTHER RESOURCES "AS IS" AND WITH ALL FAULTS, AND DISCLAIMS ALL WARRANTIES, EXPRESS AND IMPLIED, INCLUDING WITHOUT LIMITATION ANY IMPLIED WARRANTIES OF MERCHANTABILITY, FITNESS FOR A PARTICULAR PURPOSE OR NON-INFRINGEMENT OF THIRD PARTY INTELLECTUAL PROPERTY RIGHTS.

These resources are intended for skilled developers designing with TI products. You are solely responsible for (1) selecting the appropriate TI products for your application, (2) designing, validating and testing your application, and (3) ensuring your application meets applicable standards, and any other safety, security, or other requirements. These resources are subject to change without notice. TI grants you permission to use these resources only for development of an application that uses the TI products described in the resource. Other reproduction and display of these resources is prohibited. No license is granted to any other TI intellectual property right or to any third party intellectual property right. TI disclaims responsibility for, and you will fully indemnify TI and its representatives against, any claims, damages, costs, losses, and liabilities arising out of your use of these resources.

TI's products are provided subject to TI's Terms of Sale (www.ti.com/legal/termsofsale.html) or other applicable terms available either on ti.com or provided in conjunction with such TI products. TI's provision of these resources does not expand or otherwise alter TI's applicable warranties or warranty disclaimers for TI products.

Mailing Address: Texas Instruments, Post Office Box 655303, Dallas, Texas 75265
Copyright © 2020, Texas Instruments Incorporated