

C3216C0G1H683J160AA

TDK Item Description : C3216C0G1H683JT****

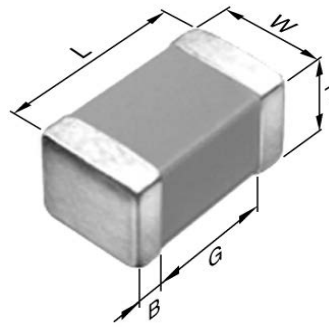


Application & Main Feature

Commercial Grade(Up to 50V)

Series

C3216 [EIA 1206]



Dimensions

L	3.20mm ±0.20mm
W	1.60mm ±0.20mm
T	1.60mm ±0.20mm
B	0.20mm Min.
G	1.00mm Min.

Temperature Characteristic

C0G (-55 to 125 degC 0+/-30ppm/degC)

Rated Voltage

1H(50Vdc)

Capacitance

68nF

Capacitance Tolerance

J (±5%)

Q Factor

1000 Min.

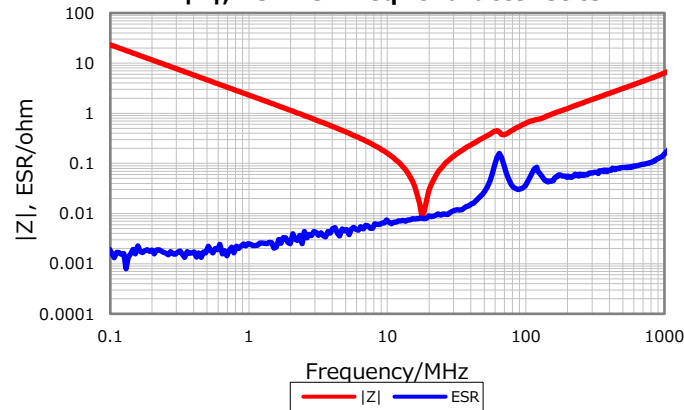
Insulation Resistance

7.352Gohm Min

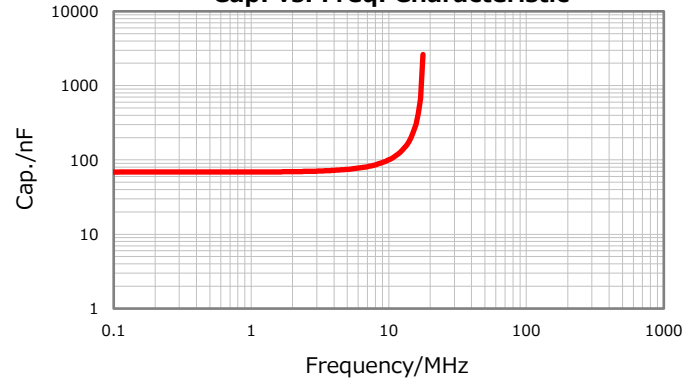
AEC-Q200

Not Applicable

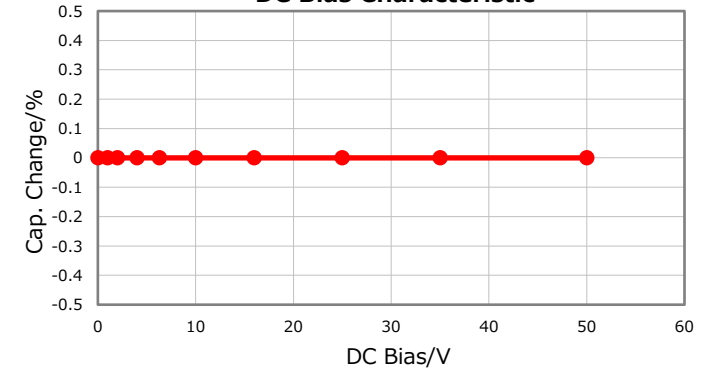
|Z|, ESR vs. Freq. Characteristics



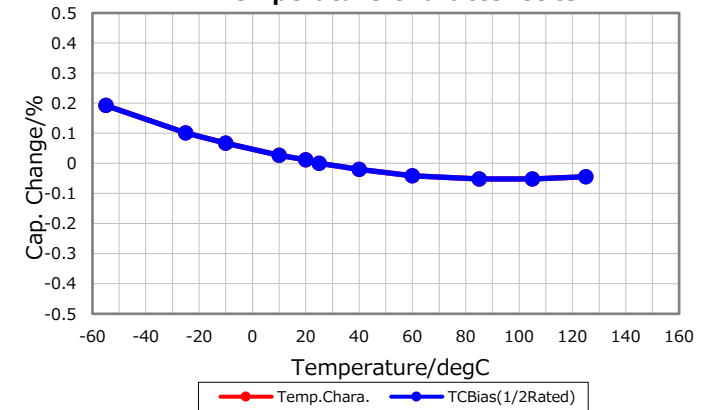
Cap. vs. Freq. Characteristic



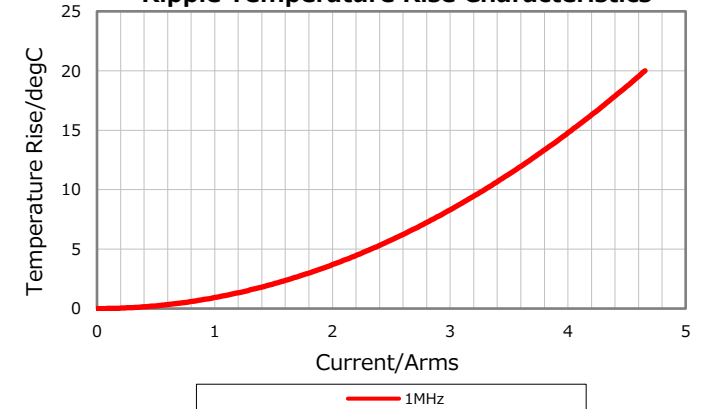
DC Bias Characteristic



Temperature Characteristics



Ripple Temperature Rise Characteristics



Characterization Sheet (Multilayer Ceramic Chip Capacitors)



All specifications are subject to change without notice.

May 22, 2019