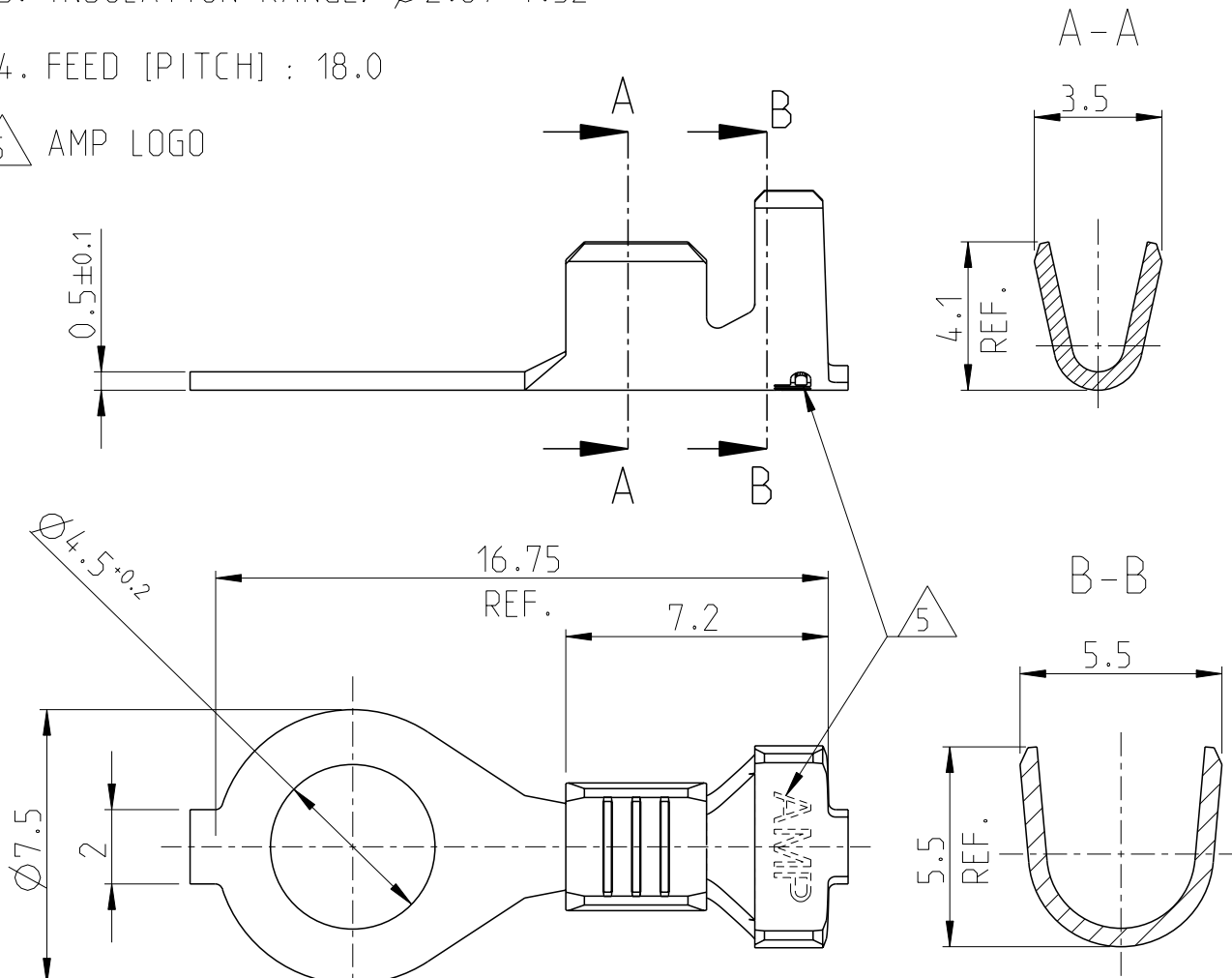


LOC	DIST	REVISIONS					
		P	LTR	DESCRIPTION	DATE	DWN	APVD
IR	-		A	INITIAL RELEASE	28DEC2012	PKS	RRP
			A1	REVISED PER ECR-19-017984	27NOV2019	PC	MK
			A2	REVISED PER ECR-20-101110	05FEB2020	MK	EW
			A3	REVISED PER ECR-21-101184	22MAR2021	MK	EW

NOTES:

1. CONTINUOUS STRIP ON REELS
2. WIRE RANGE: 18-14 AWG [0.8-2.0 SQ.mm]
3. INSULATION RANGE: $\varnothing 2.67-4.32$
4. FEED [PITCH] : 18.0

△ AMP LOGO



--	PRE-TIN; 1-3 μ m	BRASS	2178505-3
OBSOLETE	--	--	2178505-2
OBSOLETE	--	--	2178505-1
	FINISH	MATERIAL	PART NO

RELEASED FOR PUBLICATION

THIS DRAWING IS UNPUBLISHED.

ALL RIGHTS RESERVED.

© COPYRIGHT 2012

DIMENSIONS:	DWN	28DEC2012	MATERIAL	SEE TABLE	FINISH	SEE TABLE
mm	SENTHIL					
TOLERANCES UNLESS OTHERWISE SPECIFIED:	CHK	28DEC2012	TE Connectivity			
	SENTHIL					
0 PLC ± 0.2	APVD	28DEC2012	NAME RING TONGUE TERMINAL STUD DIA. 4.5; M4			
1 PLC ± 0.2	RAJENDRA					
2 PLC ± 0.1	PRODUCT SPEC		SIZE A4 CAGE CODE 00779 DRAWING NO C=2178505 RESTRICTED TO -			
3 PLC ± 0.05						
4 PLC \pm	APPLICATION SPEC	114-2084	WEIGHT 0.4g approx.			
ANGLES \pm°						
			Customer Drawing			
			SCALE	5:1	SHEET	1 OF 1
					REV	A3