

THIS DRAWING IS UNPUBLISHED.

RELEASED FOR PUBLICATION

20

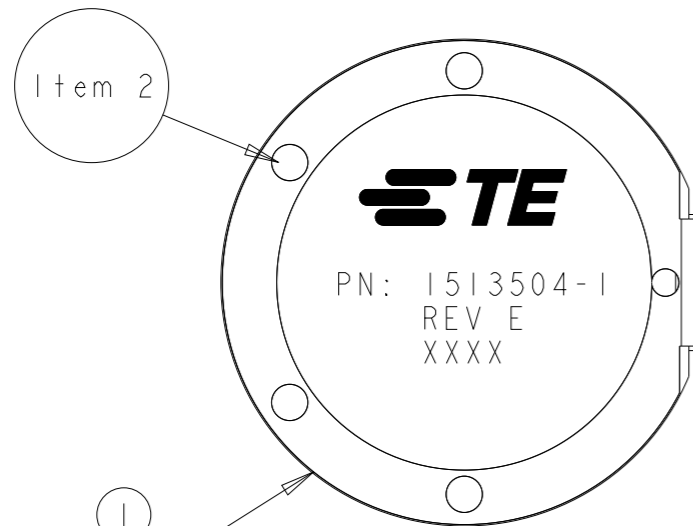
© COPYRIGHT 20 BY -

ALL RIGHTS RESERVED.

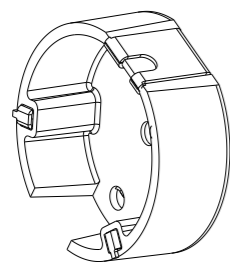
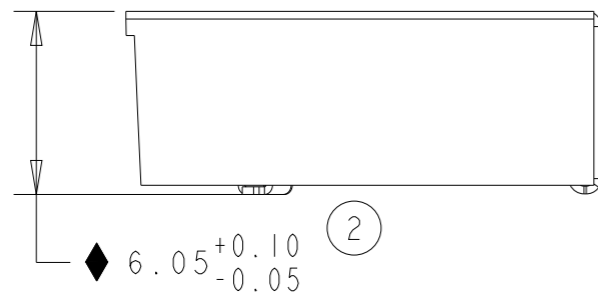
LOC HQ DIST 00

REVISIONS

P	LTR	DESCRIPTION	DATE	DWN	APVD
D1		REVISED PER ECO-11-005027	12MAR2011	RK	HMR
D2		REV PER ECO-14-008668	11JUN2014	KF	PG
E		REVISED PER ECN-21-116564	09SEP2021	DW	CY

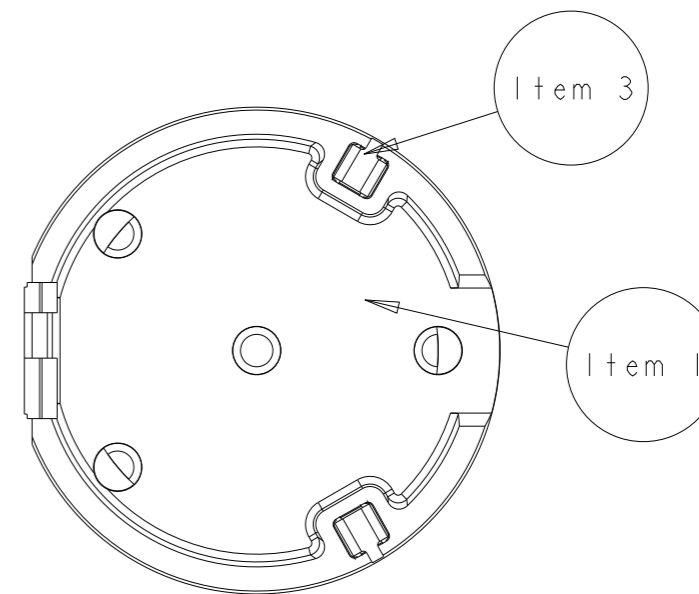
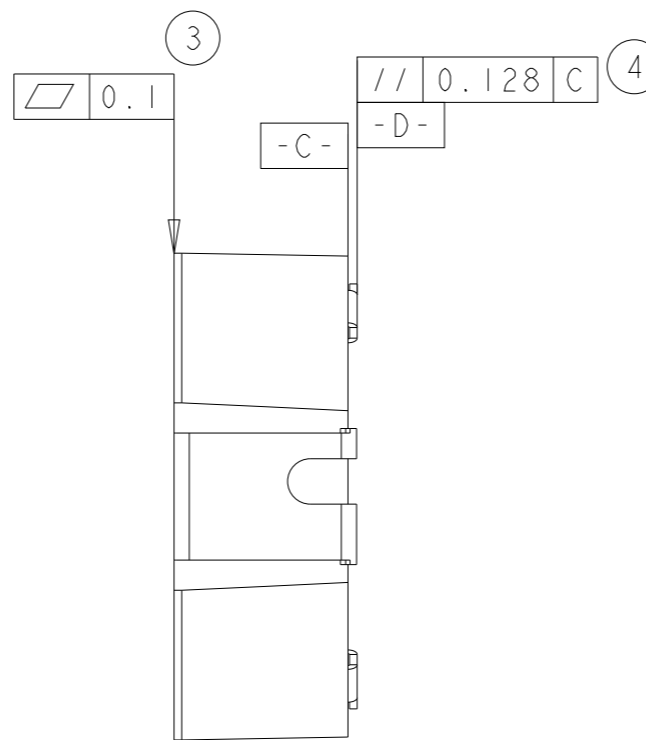


◆ $\varnothing 16.00 \pm 0.1$



1513504-1
SCALE 2:1

◆ ONGOING STATISTICAL PROCESS CONTROL REQUIRED (TOTAL 2 PCS.)



NOTES:

- Material - LCP DuPont Zenite 6130L, 30% glass filled, black color
- General tolerance block applies unless otherwise specified.
- Parts are compliant to RoHS standards per TE CONNECTIVITY standard TEC-138-702
- Part will be identified with part number, rev letter, TE logo and 4 digit date code. 1st two digits for the year and the 2nd two digits for the week.
- Consult TE CONNECTIVITY data sheet 1513504

THIS DRAWING IS A CONTROLLED DOCUMENT.

DWN DJL 13FEB2006

CHK -

APVD -

PRODUCT SPEC -

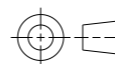
APPLICATION SPEC -

WEIGHT -

CUSTOMER DRAWING

DIMENSIONS:

mm



TOLERANCES UNLESS OTHERWISE SPECIFIED:

0 PLC	± 0.10
1 PLC	± 0.10
2 PLC	± 0.05
3 PLC	± 0.05
4 PLC	± 0.01
ANGLES	$\pm 1^\circ$

MATERIAL -

FINISH -



TE Connectivity

NAME

Antenna
Bluetooth/WLAN
Assembly 1513504-1

SIZE

CAGE CODE

DRAWING NO

RESTRICTED TO

A3

00779

C-1513504

SCALE 4:1

SHEET 1 OF 2

REV E

THIS DRAWING IS UNPUBLISHED.

RELEASED FOR PUBLICATION

20

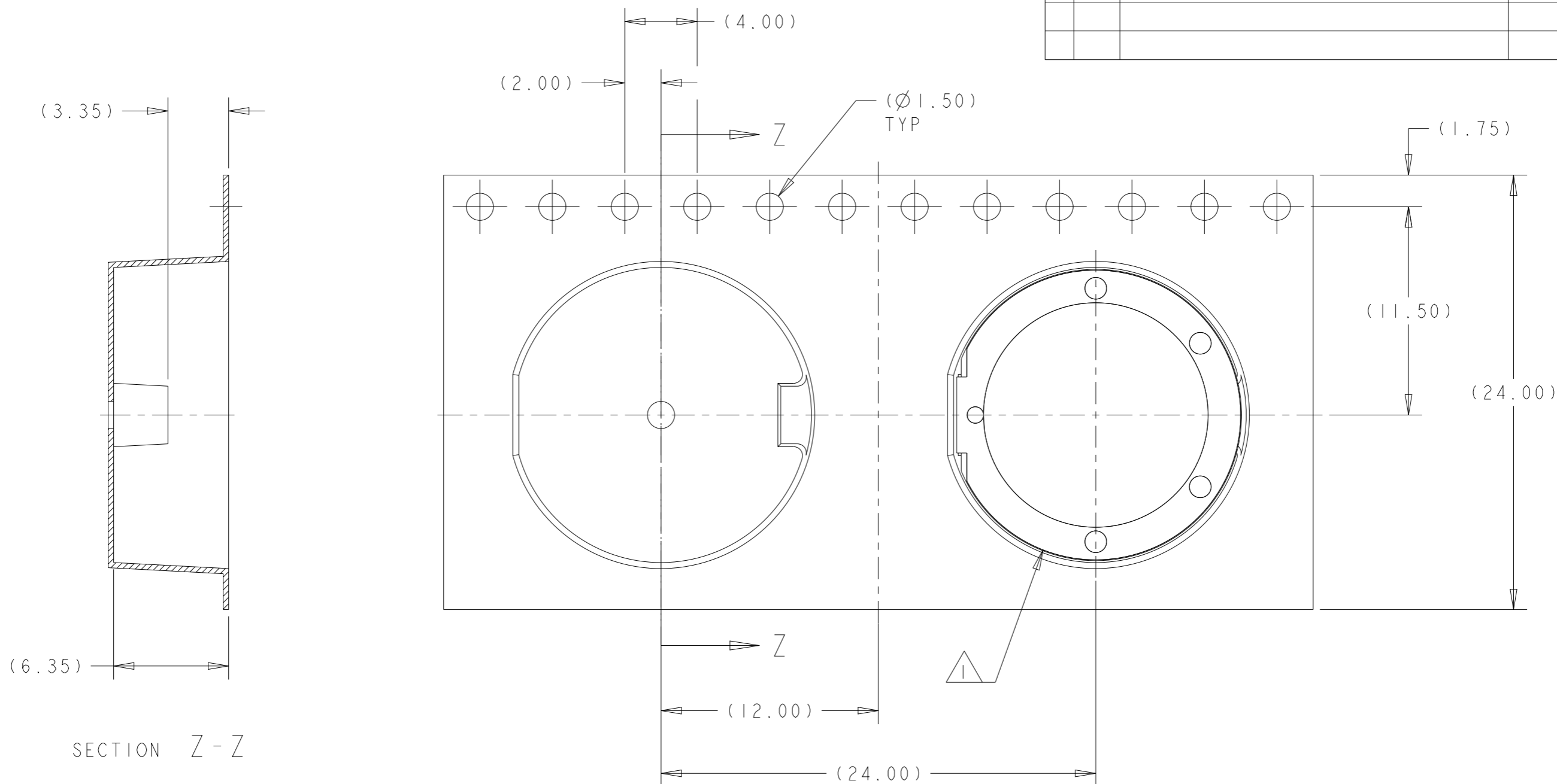
© COPYRIGHT 20 BY -

ALL RIGHTS RESERVED.

LOC HQ DIST 00

REVISIONS


P	LTR	DESCRIPTION	DATE	DWN	APVD
-	-	SEE SHEET 1	-	-	-



1 ORIENT PARTS AS SHOWN.

2. PARTS ARE COMPLIANT TO RoHS STANDARDS PER TE CONNECTIVITY STANDARD TEC-138-702.

3. ALL INFORMATION ON THIS DRAWING IS CONFIDENTIAL AND PROPRIETARY TO TE CONNECTIVITY.

THIS DRAWING IS A CONTROLLED DOCUMENT.		DWN DJL 13FEB2006	 TE Connectivity											
DIMENSIONS: mm		CHK -												
TOLERANCES UNLESS OTHERWISE SPECIFIED:		APVD -	NAME Antenna Bluetooth/WLAN Assembly 1513504-1											
<table border="0"> <tr><td>0 PLC</td><td>±0.10</td></tr> <tr><td>1 PLC</td><td>±0.10</td></tr> <tr><td>2 PLC</td><td>±0.05</td></tr> <tr><td>3 PLC</td><td>±0.05</td></tr> <tr><td>4 PLC</td><td>±0.01</td></tr> <tr><td>ANGLES</td><td>±1°</td></tr> </table>		0 PLC			±0.10	1 PLC	±0.10	2 PLC	±0.05	3 PLC	±0.05	4 PLC	±0.01	ANGLES
0 PLC	±0.10													
1 PLC	±0.10													
2 PLC	±0.05													
3 PLC	±0.05													
4 PLC	±0.01													
ANGLES	±1°													
MATERIAL -		APPLICATION SPEC -	SIZE A3	CAGE CODE 00779	DRAWING NO. C-1513504	RESTRICTED TO								
FINISH -		WEIGHT -	SCALE 4:1		SHEET 2 OF 2	REV E								
CUSTOMER DRAWING														