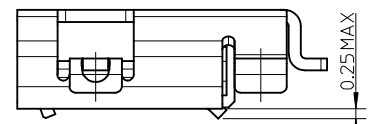
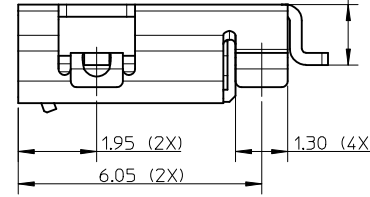
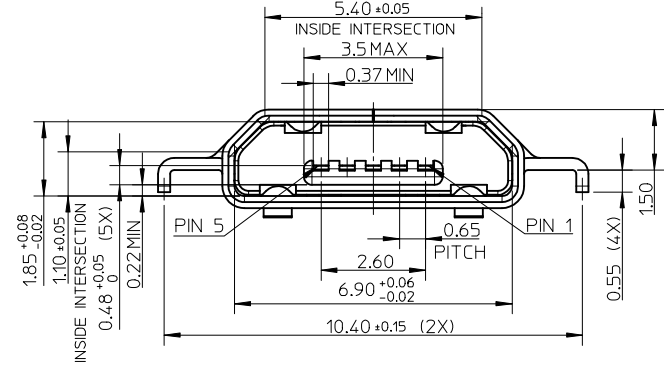
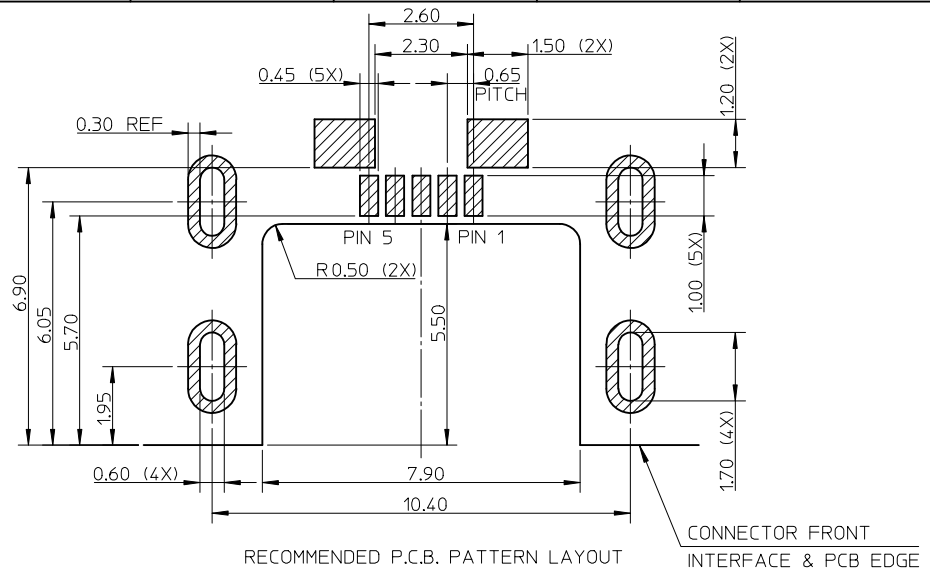
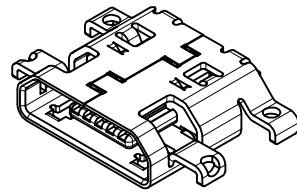
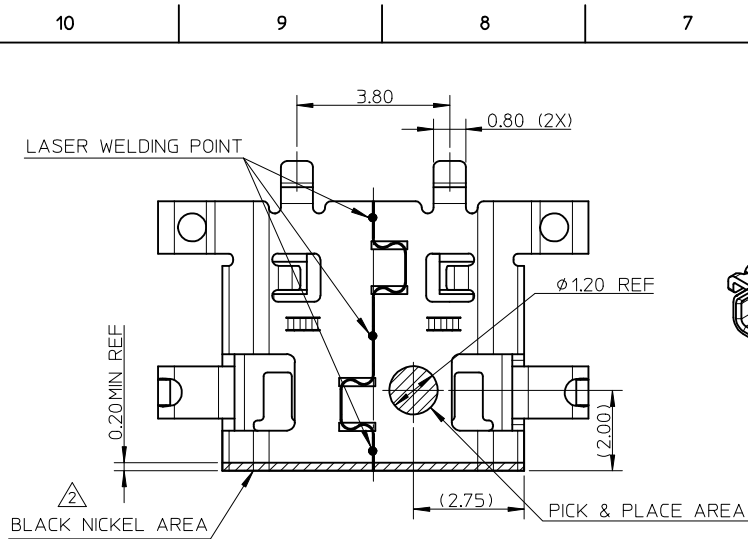


- NOTES:
- MATERIAL:  
HOUSING: LCP, BLACK, UL94V-0,  
TERMINAL: COPPER ALLOY, THICKNESS: 0.15mm,  
SHELL: STAINLESS STEEL, THICKNESS: 0.30mm.
  - PLATING:  
TERMINAL:  
CONTACT AREA: GOLD FLASH OVER 0.75 MICRON MINIMUM Pd/Ni,  
SOLDER TAIL AREA: GOLD FLASH; UNDER PLATING: NICKEL 2.0 MICRON MINIMUM.  
SHELL:  
OPTION 1: MATTE TIN 2.0 MICRON MINIMUM; UNDER PLATING: NICKEL 1.27 MICRON MINIMUM.  
OPTION 2: 1.27 MICRON MINIMUM NICKEL UNDER PLATING,  
MATTE TIN PLATING OVERALL, 2.0 MICRON MINIMUM ON SOLDERING TABS AREA.  
0.133 MICRON MINIMUM BLACK NICKEL SELECT PLATING FRONT PORTION,  
NO BLACK NICKEL PLATING ON SOLDERING TABS.
  - TAIL & NAIL COPLANARITY 0.08mm MAXIMUM.
  - PRODUCT SPECIFICATION: PS-47642-001.
  - PACKAGING SPECIFICATION: PK-105286-001.
  - PRODUCT COMPLIANT TO RoHS DIRECTIVE 2002/95/EC AND ELV 2000/53/EC.

105286-1002	OPTION 2
105286-1001	OPTION 1
PART NUMBER	SHELL PLATING

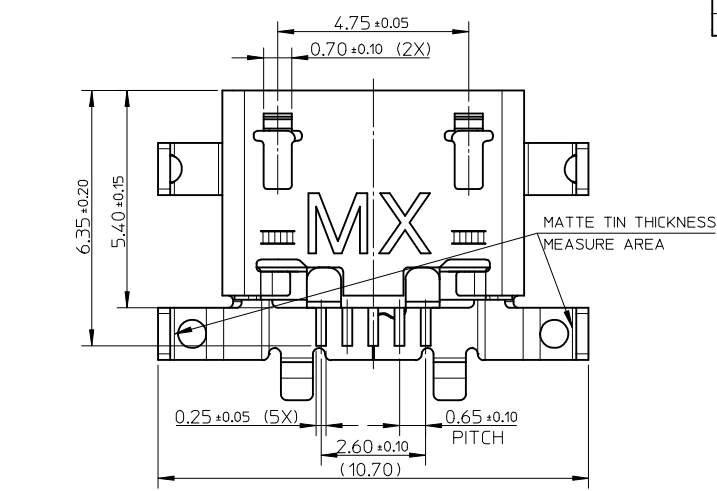
<b>ADD DESCRIPTION</b> EC NO: SH2015-0349 DRWN: XQZHANG 2015/03/25 CHKD: XQZHANG 2015/03/25 APPR: AYIN 2015/04/29	<b>QUALITY SYMBOLS</b> $F_{\Delta} = 0$ $F_{\Delta} = 0$ $F_{\Delta} = 0$	<b>GENERAL TOLERANCES (UNLESS SPECIFIED)</b>		<b>DIMENSION STYLE</b> <b>MM ONLY</b>		<b>SCALE</b> 1:1	<b>DESIGN UNITS</b> METRIC	<b>THIRD ANGLE PROJECTION</b>	
		4 PLACES	$\pm$ ---	$\pm$ ---	DRAWN BY	DATE	<b>TITLE</b> SALES DRAWING FOR USB MICRO-B, MID MOUNT REVERSE		
		3 PLACES	$\pm$ ---	$\pm$ ---	CHECKED BY	DATE			
		2 PLACES	$\pm 0.20$	$\pm$ ---	XQZHANG	2012/11/28			
1 PLACE	$\pm 0.25$	$\pm$ ---	APPROVED BY	DATE	<b>DOCUMENT NO.</b> SD-105286-100		<b>SHEET NO.</b> 1 OF 1		
0 PLACE	$\pm$ ---	$\pm$ ---	AYIN	2013/08/09	<b>THIS DRAWING CONTAINS INFORMATION THAT IS PROPRIETARY TO MOLEX INCORPORATED AND SHOULD NOT BE USED WITHOUT WRITTEN PERMISSION</b>				
<b>DRAFT WHERE APPLICABLE MUST REMAIN WITHIN DIMENSIONS</b>		ANGULAR $\pm 3^{\circ}$		<b>SEE TABLE</b>					



RECOMMENDED P.C.B. PATTERN LAYOUT  
GENERAL TOLERANCE: ±0.05

NOTES:

- MATERIAL:  
HOUSING: LCP, BLACK, UL94V-0,  
TERMINAL: COPPER ALLOY, THICKNESS: 0.15mm,  
SHELL: STAINLESS STEEL, THICKNESS: 0.30mm.
- PLATING:  
TERMINAL:  
CONTACT AREA: GOLD FLASH OVER 0.75 MICRON MINIMUM Pd/Ni,  
SOLDER TAIL AREA: GOLD FLASH; UNDER PLATING: NICKEL 2.0 MICRON MINIMUM.  
SHELL:  
OPTION 1: MATTE TIN 2.0 MICRON MINIMUM; UNDER PLATING: NICKEL 1.27 MICRON MINIMUM.  
OPTION 2: 1.27 MICRON MINIMUM NICKEL UNDER PLATING,  
MATTE TIN PLATING OVERALL, 2.0 MICRON MINIMUM ON SOLDERING TABS AREA.  
0.133 MICRON MINIMUM BLACK NICKEL SELECT PLATING FRONT PORTION,  
NO BLACK NICKEL PLATING ON SOLDERING TABS.
- TAIL & NAIL COPLANARITY 0.08mm MAXIMUM.
- PRODUCT SPECIFICATION: PS-47642-001.
- PACKAGING SPECIFICATION: PK-105286-001.
- PRODUCT COMPLIANT TO RoHS DIRECTIVE 2002/95/EC AND ELV 2000/53/EC.



105286-1002	OPTION 2
105286-1001	OPTION 1
PART NUMBER	SHELL PLATING

<b>ADD DESCRIPTION</b> EC NO: SH2015-0349 DRWN: XQZHANG 2015/03/25 CH'KD: XQZHANG 2015/03/25 APPR: AYIN 2015/04/29	<b>QUALITY SYMBOLS</b> $F_{\Delta} = 0$ $F_{\Delta} = 0$ $F_{\Delta} = 0$	<b>GENERAL TOLERANCES (UNLESS SPECIFIED)</b>		<b>DIMENSION STYLE</b> <b>MM ONLY</b>		<b>SCALE</b> 1:1	<b>DESIGN UNITS</b> METRIC	THIRD ANGLE PROJECTION	
		4 PLACES	± ---	± ---	DRAWN BY	DATE	TITLE		
		3 PLACES	± ---	± ---	XQZHANG	2012/11/28	SALES DRAWING FOR USB MICRO-B, MID MOUNT REVERSE		
		2 PLACES	± 0.20	± ---	XQZHANG	2012/11/28			
1 PLACE	± 0.25	± ---	APPROVED BY	DATE	DOCUMENT NO.				
0 PLACE	± ---	± ---	AYIN	2013/08/09	SD-105286-100				
ANGULAR ± 3 °		DRAFT WHERE APPLICABLE MUST REMAIN WITHIN DIMENSIONS		MATERIAL NO. <b>SEE TABLE</b>		SHEET NO. 1 OF 1		THIS DRAWING CONTAINS INFORMATION THAT IS PROPRIETARY TO MOLEX INCORPORATED AND SHOULD NOT BE USED WITHOUT WRITTEN PERMISSION	