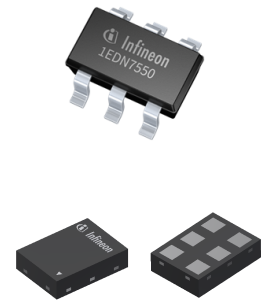


EiceDRIVER™ 1EDN7550 and 1EDN8550

Single-channel EiceDRIVER™ gate-drive IC with true differential inputs

Features

- Very large common-mode input voltage range (CMR) up to ± 150 V ([Table 1](#))
- Supply voltage (V_{DD}) up to 20 V
- 2 UVLO options: 4 V and 8 V
- Separate low impedance source and sink outputs
 - 4 A / 0.85 Ω source
 - 8 A / 0.35 Ω sink
- 45 ns propagation delay with -7 / +10 ns accuracy
- SOT23 or TSNP 6-pin package
- Fully qualified for industrial applications according to JEDEC



Description

EiceDRIVER™ 1EDNx550 is a new family of single-channel non-isolated gate-driver ICs. Due to the unique fully differential input circuitry with excellent common-mode rejection, the logic driver state is exclusively controlled by the voltage difference between the two inputs, completely independent of the driver's reference (ground) potential. This eliminates the risk for false triggering and thus is a significant benefit in all applications exhibiting voltage differences between driver and controller ground, a problem typical for systems with

- 4-pin packages (Kelvin Source connection)
- high parasitic PCB inductances (long distances, single-layer PCB)
- bipolar gate drive

In addition, within the common-mode voltage range CMR for PWM signal at 3.3 V as in ([Table 1](#)), 1EDNx550 allows to address even high-side and half-bridge applications. For PWM signals other than 3.3 V please see the Application note [Applications of 1EDNx550 single-channel lowside EiceDRIVER™ with truly differential inputs](#).

Table 1 Product portfolio

Part number	CMR static	CMR dynamic	UVLO	Package
1EDN7550B	+ 72 V / - 84 V	± 150 V	4 V	PG-SOT23-6
1EDN8550B	+ 72 V / - 84 V	± 150 V	8 V	PG-SOT23-6
1EDN7550U	+ 72 V / - 84 V	± 150 V	4 V	PG-TSNP-6

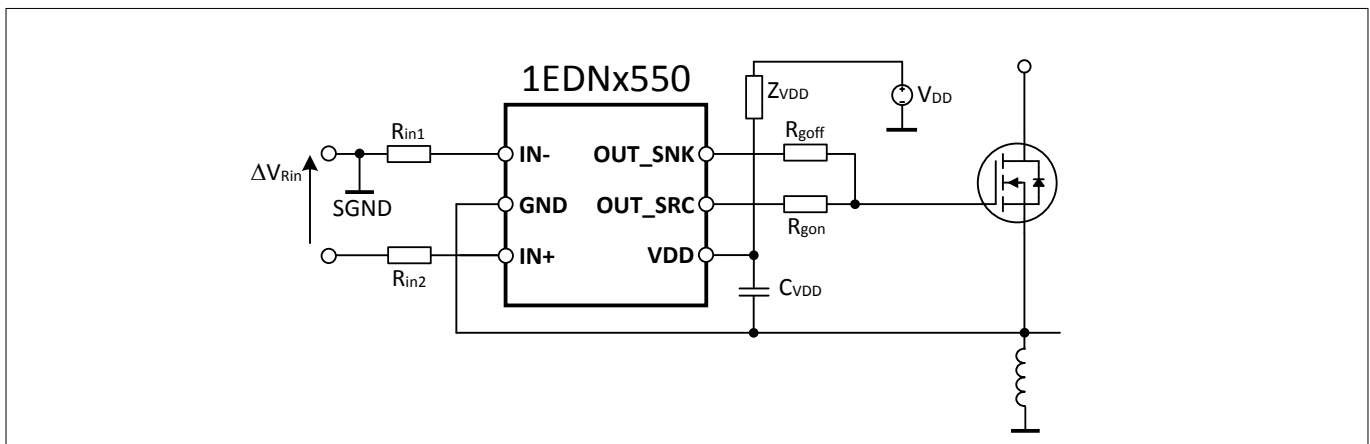


Figure 1 Typical application

Table of contents

Table of contents

	Features	1
	Description	1
	Table of contents	2
1	Pin configuration and description	3
2	Block diagram	4
3	Functional description	5
3.1	Differential input	5
3.1.1	Common mode input range	6
3.2	Driver outputs	6
3.3	Supply voltage and Undervoltage Lockout (UVLO)	6
4	Electrical characteristics and parameters	7
4.1	Absolute maximum ratings	7
4.2	Thermal characteristics	8
4.3	Operating range	9
4.4	Electrical characteristics	9
4.5	Timing diagram	11
5	Typical characteristics	12
6	Typical applications	14
6.1	Switches with Kelvin source connection (4-pin packages)	14
6.2	Applications with significant parasitic PCB-inductances	14
6.3	Switches with bipolar gate drive	15
6.4	High-side switches	16
7	Layout guidelines	17
8	Package information	19
8.1	PG-SOT23-6 package	19
8.2	PG-TSNP-6 package	22
9	Device numbers and markings	25
	Revision history	26
	Disclaimer	27

Pin configuration and description

1 Pin configuration and description

The pin configuration for both SOT23 and TSNP package is illustrated in [Figure 2](#); a description is given in [Table 2](#). For functional details, please read [Chapter 3](#).

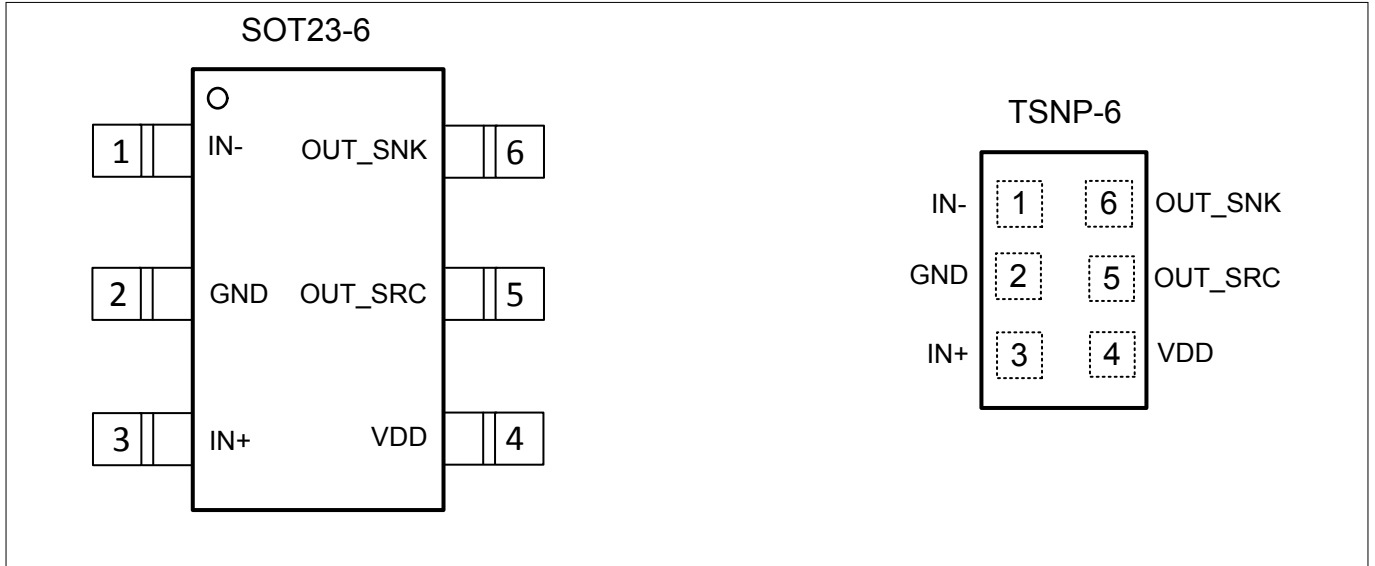


Figure 2 Pin configuration SOT23 and TSNP 6-pin packages (top view)

Table 2 Pin description

Pin number	Pin name	Description
1	IN-	Negative input connected to controller ground via resistor (typically 33 kΩ)
2	GND	Ground negative gate drive voltage ("off" state)
3	IN+	Positive input connected to PWM output of controller via resistor (typically 33 kΩ)
4	VDD	Positive supply voltage positive gate drive voltage ("on" state)
5	OUT_SRC	Driver output source low-impedance switch to VDD (4 A / 0.85 Ω)
6	OUT_SNK	Driver output sink low-impedance switch to GND (8 A / 0.35 Ω)

Block diagram

2 Block diagram

A simplified functional block diagram of 1EDNx550 is given in [Figure 3](#).

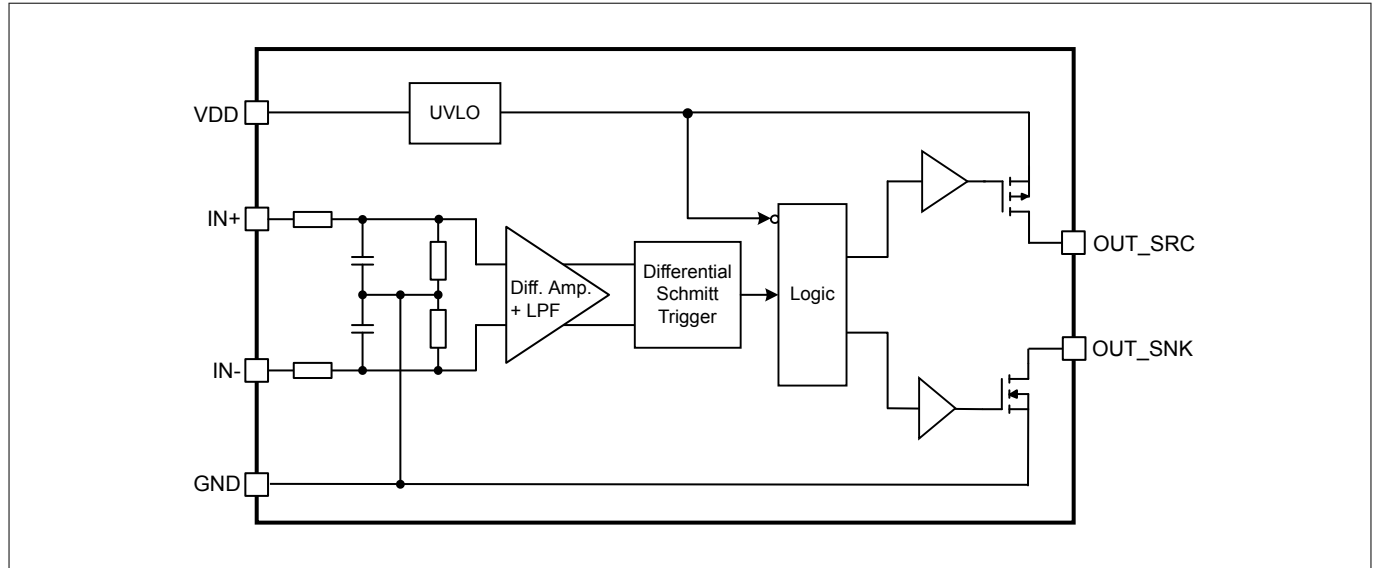


Figure 3 Block diagram

Functional description

3 Functional description

Although EiceDRIVER™ 1EDNx550 is a family of non-isolated gate drivers, it extends the range of possible applications into fields usually reserved for isolated drivers, thereby generating significant system cost benefits. The key to make this possible is moving from the standard ground related to a true differential input with very high common-mode rejection. The required symmetry of the input circuitry is achieved by on-chip trimming; it finally allows to deal with peak common-mode voltages of up to ± 150 V between driver reference (GND) and system ground (SGND). 1EDNx550 is not only ideally suited for any application with unwanted shifts between driver and system ground, but may also be utilized as a high-side driver within the allowed common-mode range. Besides, switches requiring a bipolar driving voltage can be operated very easily as well.

3.1 Differential input

Figure 4 depicts the signal path from the controller’s PWM output to the logic gate driver signal as implemented on 1EDNx550.

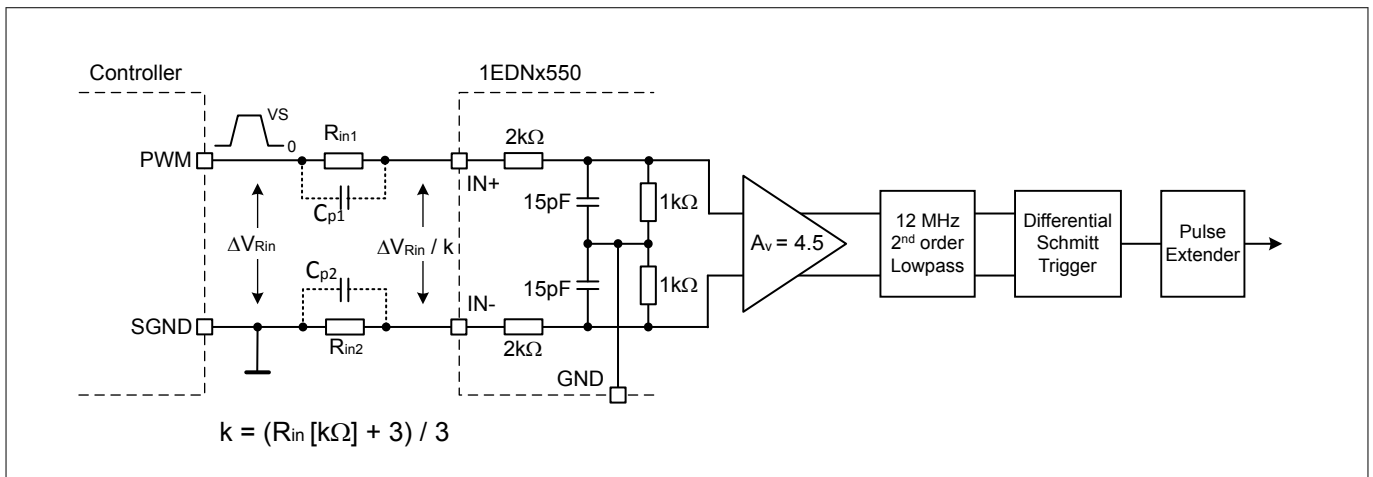


Figure 4 1EDNx550 input signal path

The controller output signal, switching between controller supply VS and zero, is applied at the one leg of a differential voltage divider, while the other is connected to the controller ground SGND. The divider ratio has to be adapted to VS to allow a fixed Schmitt-Trigger threshold voltage. For VS = 3.3 V, Rin1 and Rin2 are chosen to be 33 kΩ, resulting in a static divider ratio of k = 12 at the driver inputs and 36 at the internal voltage amplifier. With VS other than 3.3 V, Rin has to fulfil the relation:

$$R_{in1} = R_{in2} = 10.9 VS - 3 [k\Omega]$$

Amplified by a factor of 4.5, the signal is filtered by a 2nd order low-pass filter. Taking into account the RC filter in front of the amplifier, the overall input path exhibits the frequency behavior of a 3rd order low-pass filter with a corner frequency around 12 MHz. The suppression of high frequencies is important for two reasons. Firstly, common-mode ringing, being in the 100 MHz and above range for fast-switching power systems, can effectively be damped. In addition, the high-frequency symmetry of the voltage divider is influenced by parasitic capacitances, particularly Cp1 and Cp2, the parallel capacitances of Rin1 and Rin2. They are typically in the 50 to 100 fF range, rather independent of resistor size. Without filtering, any asymmetry would translate high-frequency common-mode into differential signals.

The filtered signal is then applied to a differential Schmitt-Trigger with accurate trimmed threshold levels and converted to the logic switch control signal. The subsequent pulse extender function guarantees that no pulses shorter than 25 ns are transmitted to the output, thereby further improving noise immunity.

Due to the filtering requirements the input-to-output propagation delay is slightly increased to around 45 ns. By means of on-chip trimming, however, the usually more relevant propagation delay variation can still be kept low at +10 / -7 ns.

Functional description

3.1.1 Common mode input range

There are two effects limiting the common-mode input range, i.e. the maximum allowed voltage difference between controller outputs PWM/SGND and driver reference GND: the circuit and technology-related input voltage restrictions and the finite common-mode rejection in the input signal path due to asymmetries.

The static voltage range at the input pins is limited to + 6 / - 7 V to guarantee accurate linear operation of the input circuitry. Taking into account the proposed DC voltage divider ratio, this translates to a static common-mode (CMR) range of + 72 / - 84 V. CMR is increased even further for high-frequency common-mode voltages ("ringing"). Then the maximum input voltage ratings (± 10 V) together with the frequency-dependence of the voltage-divider ratio result in an extended dynamic CMR as high as ± 150 V.

The second limitation results from the fact that any imbalance in the signal path converts a common-mode to a differential signal. To utilize the full CMR as calculated above, the high accuracy of the trimmed on-chip network must not be affected by the external voltage divider resistors. This condition is easily fulfilled when choosing R_{in1} and R_{in2} with 0.1% tolerance; resistors with only 1% accuracy, however, would reduce the common-mode range significantly to ± 40 V.

3.2 Driver outputs

The rail-to-rail driver output stage realized with complementary MOS transistors is able to provide a typical 4 A sourcing and 8 A sinking current. The low on-resistance coming together with high driving current is particularly beneficial for fast switching of very large MOSFETs. With a R_{on} of 0.85 Ω for the sourcing pMOS and 0.35 Ω for the sinking nMOS transistor the driver can in most applications be considered to behave like an ideal switch. The p-channel sourcing transistor allows real rail-to-rail behavior without suffering from the source-follower's voltage drop typical for n-channel output stages.

In case of floating inputs or insufficient supply voltage the driver output is actively clamped to the "low" level (GND).

3.3 Supply voltage and Undervoltage Lockout (UVLO)

The Undervoltage Lockout function ensures that the output can be switched only, if the supply voltage V_{DD} exceeds the UVLO threshold voltage. Thus it can be guaranteed that the switch transistor is not operated with a driving voltage too low to achieve a complete and fast transition to the "on" state; this avoids excessive power dissipation (see [Table 3](#)).

Table 3 Logic table

ΔV_{Rin}	UVLO	OUT_SRC	OUT_SNK
x	active ¹⁾	high impedance	L
L ²⁾	inactive ³⁾	high impedance	L
H ⁴⁾	inactive ³⁾	H	high impedance

EiceDRIVER™ 1EDNx550 is available in two different packages; the SOT23 version offers 2 UVLO threshold levels to support switches with a broad range of threshold voltages

- 1EDN7550 with a typical UVLO threshold of 4.2 V (0.3 V hysteresis)
- 1EDN8550 with a typical UVLO threshold of 8 V (1 V hysteresis)

In addition, the high maximum V_{DD} of 20 V makes the driver family well suited for a broad variety of power switch types.

1 $V_{DD} < UVLO_{off}$
 2 $\Delta V_{Rin} < \Delta V_{RinL}$
 3 $V_{DD} > UVLO_{on}$
 4 $\Delta V_{Rin} > \Delta V_{RinH}$

Electrical characteristics and parameters

4 Electrical characteristics and parameters

The absolute maximum ratings are listed in [Table 4](#). Stresses beyond these values may cause permanent damage to the device. Exposure to absolute maximum rating conditions for extended periods may affect device reliability.

4.1 Absolute maximum ratings

Table 4 Absolute Maximum Ratings

Parameter	Symbol	Values			Unit	Note or Test Condition
		Min.	Typ.	Max.		
Supply voltage	V_{DD}	-0.3	–	22	V	Voltage between VDD to GND
Voltage at pins IN+ and IN-	V_{IN}	-10	–	10	V	–
Voltage at pin OUT_SRC	V_{OUT_SRC}	-24	–	0.3	V	OUT = low; referred to VDD pin, DC
		-24	–	2	V	OUT = low; referred to VDD pin < 200 ns
Voltage at pin OUT_SNK	V_{OUT_SNK}	-0.3	–	24	V	OUT = high; referred to GND pin, DC
		-2	–	24	V	OUT = high, referred to GND pin < 200 ns
Peak reverse current at OUT_SRC	I_{SRC_rev}	-5	–	–	A	< 500 ns
Peak reverse current at OUT_SNK	I_{SRC_rev}	–	–	5	A	< 500 ns
Junction temperature	T_j	-40	–	150	°C	–
Storage temperature	T_S	-55	–	150	°C	–
ESD capability	V_{ESD_HBM}	–	–	2	kV	Human Body Model (HBM) ⁵
ESD capability	V_{ESD_CDM}	–	–	1	kV	Charged Device Model (CDM) ⁶

⁵ According to ANSI/ESDA/JEDEC JS-001 (discharging 100 pF capacitor through 1.5 kΩ resistor)

⁶ According to ANSI/ESDA/JEDEC JS-002

Electrical characteristics and parameters

4.2 Thermal characteristics

Table 5 Thermal characteristics SOT23 package

Parameter	Symbol	Values			Unit	Note or Test Condition
		Min.	Typ.	Max.		
Thermal resistance junction-ambient ⁷⁾	R_{thJA25}	–	165.1	–	K/W	–
Thermal resistance junction-case (top) ⁸⁾	R_{thJC25}	–	79.9	–	K/W	–
Thermal resistance junction-board ⁹⁾	R_{thJB25}	–	65.2	–	K/W	–
Characterization parameter junction-case (top) ¹⁰⁾	ψ_{thJC25}	–	14	–	K/W	–
Characterization parameter junction-board ¹¹⁾	ψ_{thJB25}	–	51	–	K/W	–

Table 6 Thermal characteristics TSNP package

Parameter	Symbol	Values			Unit	Note or Test Condition
		Min.	Typ.	Max.		
Thermal resistance junction-ambient ⁷⁾	R_{thJA25}	–	141	–	K/W	–
Thermal resistance junction-case (top) ⁸⁾	R_{thJC25}	–	81	–	K/W	–
Thermal resistance junction-board ⁹⁾	R_{thJB25}	–	36	–	K/W	–
Characterization parameter junction-case (top) ¹⁰⁾	ψ_{thJC25}	–	80	–	K/W	–
Characterization parameter junction-board ¹¹⁾	ψ_{thJB25}	–	36	–	K/W	–

⁷⁾ Obtained in a simulation on a JEDEC-standard, high-K board, as specified in JESD51-7, in an environment described in JESD51-2a

⁸⁾ Obtained by simulating a cold plate test on the package top. No specific JEDEC standard test exists, but a close description can be found in the ANSI SEMI standard G30-88

⁹⁾ Obtained by simulation in an environment with a ring cold plate fixture to control the PCB temperature, as described in JESD51-8

¹⁰⁾ Estimates the junction temperature of a device in a real system and is extracted from the simulation data for obtaining R_{th} , using a procedure described in JESD51-2a (sections 6 and 7)

¹¹⁾ Estimates the junction temperature of a device in a real system and is extracted from the simulation data for obtaining R_{th} , using a procedure described in JESD51-2a (sections 6 and 7)

Electrical characteristics and parameters

4.3 Operating range

Table 7 Operating Range

Parameter	Symbol	Values			Unit	Note or Test Condition
		Min.	Typ.	Max.		
Supply voltage	V_{DD}	4.5	–	20	V	Min defined by UVLO
Voltage at pins IN+ and IN-	V_{IN}	-7	–	6	V	–
Junction temperature	T_j	-40	–	150	°C	¹²⁾

4.4 Electrical characteristics

Unless otherwise noted, min./max. values of characteristics are the lower and upper limits, respectively. They are valid within the full operating range. The supply voltage is $V_{DD} = 12$ V. Typical values are given at $T_j = 25^\circ\text{C}$.

Table 8 Power Supply

Parameter	Symbol	Values			Unit	Note or Test Condition
		Min.	Typ.	Max.		
V_{DD} quiescent current	I_{VDDh}	–	1.1	–	mA	OUT = high
V_{DD} quiescent current	I_{VDDl}	–	0.9	–	mA	OUT = low

Table 9 Undervoltage Lockout 1EDN7550x (Logic level MOSFET)

Parameter	Symbol	Values			Unit	Note or Test Condition
		Min.	Typ.	Max.		
Undervoltage Lockout (UVLO) turn on threshold	$UVLO_{on}$	3.9	4.2	4.5	V	–
Undervoltage Lockout (UVLO) turn off threshold	$UVLO_{off}$	–	3.9	–	V	–
UVLO threshold hysteresis	$UVLO_{hys}$	0.25	0.3	0.35	V	–

Table 10 Undervoltage Lockout 1EDN8550B (Standard MOSFET)

Parameter	Symbol	Values			Unit	Note or Test Condition
		Min.	Typ.	Max.		
Undervoltage Lockout (UVLO) turn on threshold	$UVLO_{on}$	7.4	8.0	8.6	V	–
Undervoltage Lockout (UVLO) turn off threshold	$UVLO_{off}$	–	7.0	–	V	–
UVLO threshold hysteresis	$UVLO_{hys}$	0.8	1.0	1.2	V	–

¹²⁾ Continuous operation above 125°C may reduce life time

Electrical characteristics and parameters

Table 11 **Inputs IN+, IN-**

Parameter	Symbol	Values			Unit	Note or Test Condition
		Min.	Typ.	Max.		
Differential input voltage threshold for transition LH (at input resistor)	ΔV_{RinH}	–	1.7	–	V	Independent of V_{DD} $R_{in1}/R_{in2} = 33 \text{ k}\Omega$ ¹³⁾
Differential input voltage threshold for transition HL (at input resistor)	ΔV_{RinL}	–	1.5	–	V	Independent of V_{DD} $R_{in1}/R_{in2} = 33 \text{ k}\Omega$ ¹³⁾
Total input resistance on each leg	R_{in1}/R_{in2}	–	36	–	k Ω	$R_{in1}/R_{in2} = 33 \text{ k}\Omega$ ¹³⁾

Table 12 **Static Output Characteristics**

Parameter	Symbol	Values			Unit	Note or Test Condition
		Min.	Typ.	Max.		
High-level (sourcing) output resistance	R_{on_SRC}	–	0.85	–	Ω	$I_{SRC} = 50 \text{ mA}$
Sourcing output current	I_{SRC_pk}	–	4.0	¹⁴⁾	A	–
Low-level (sinking) output resistance	R_{on_SNK}	–	0.35	–	Ω	$I_{SNK} = 50 \text{ mA}$
Sinking output current	I_{SNK_pk}	–	-8.0	¹⁵⁾	A	–

Table 13 **Dynamic characteristics**

Parameter	Symbol	Values			Unit	Note or Test Condition
		Min.	Typ.	Max.		
Input-to-output propagation delay turn-on	t_{PDOn}	38	45	55	ns	$C_L = 200 \text{ pF}$
Input-to-output propagation delay turn-off	t_{PDOff}	38	45	55	ns	$C_L = 200 \text{ pF}$
Rise time	t_{rise}	–	6.5	¹⁵ ¹⁶⁾	ns	$C_L = 1.8 \text{ nF}$
Fall time	t_{fall}	–	4.5	¹⁵ ¹⁶⁾	ns	$C_L = 1.8 \text{ nF}$
Rise time	t_{rise}	–	1	⁵ ¹⁶⁾	ns	$C_L = 200 \text{ pF}$
Fall Time	t_{fall}	–	1	⁵ ¹⁶⁾	ns	$C_L = 200 \text{ pF}$
Minimum input pulse width that changes output state	t_{PW}	–	²⁵ ¹⁶⁾	–	ns	$C_L = 1.8 \text{ nF}$

For an illustration of the dynamic characteristics see [Figure 6](#) and [Figure 7](#)
[Figure 5](#) gives the circuit used for parameter testing

¹³ See [Figure 1](#)

¹⁴ Actively limited to approx. $5.2 A_{pk}$; not subject to production test - verified by design / characterization

¹⁵ Actively limited to approx. $-10.4 A_{pk}$; not subject to production test - verified by design / characterization

¹⁶ Parameter verified by design, not 100% tested in production

Electrical characteristics and parameters

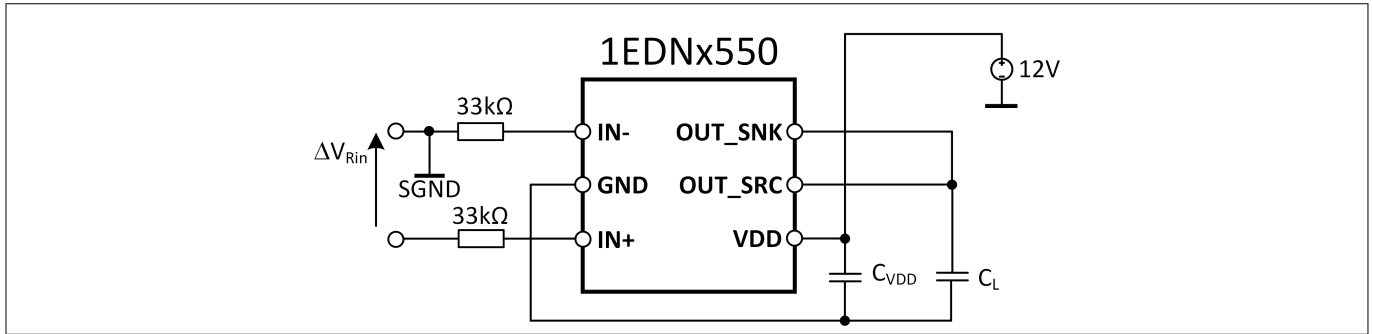


Figure 5 Test circuit

4.5 Timing diagram

Figure 6 depicts rise, fall and delay times as given in the Chapter 4.

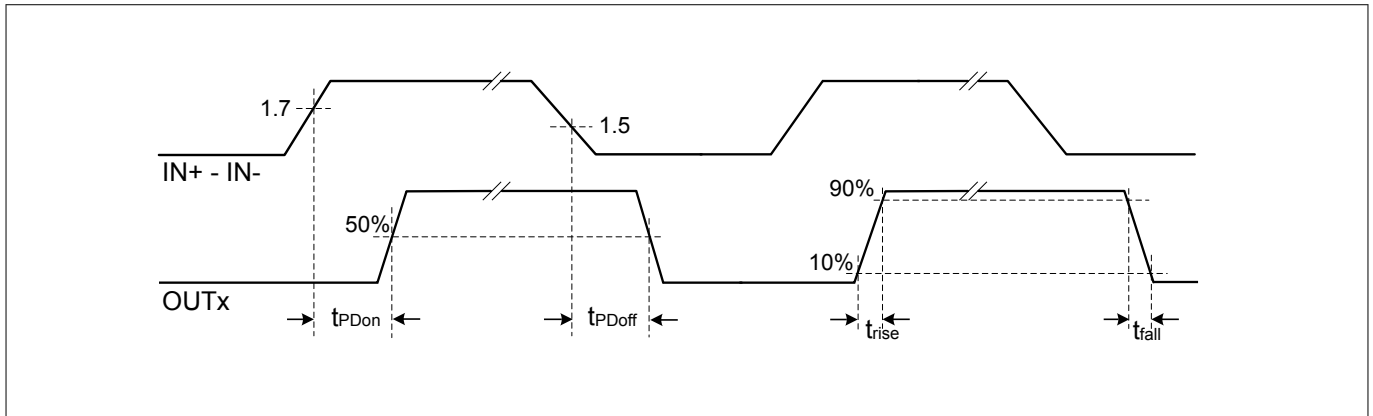


Figure 6 Propagation delay, rise and fall time

Figure 7 illustrates the Undervoltage Lockout function.

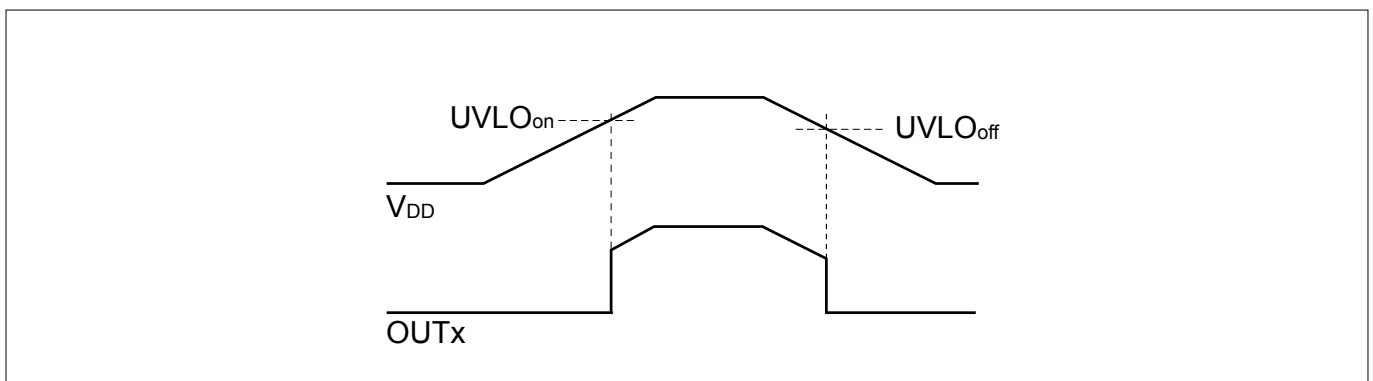
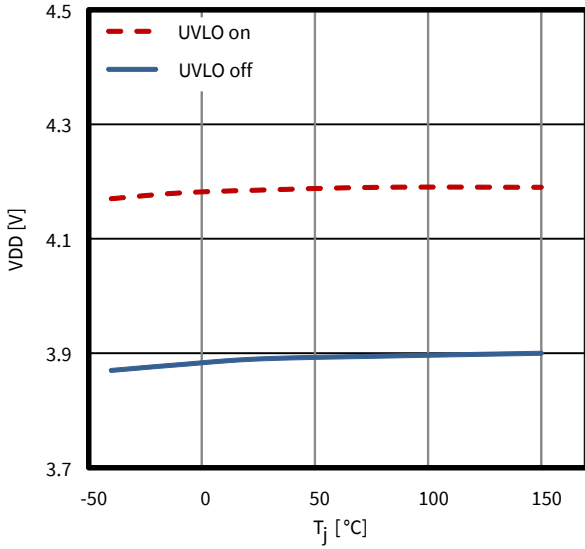


Figure 7 UVLO behavior (output state high)

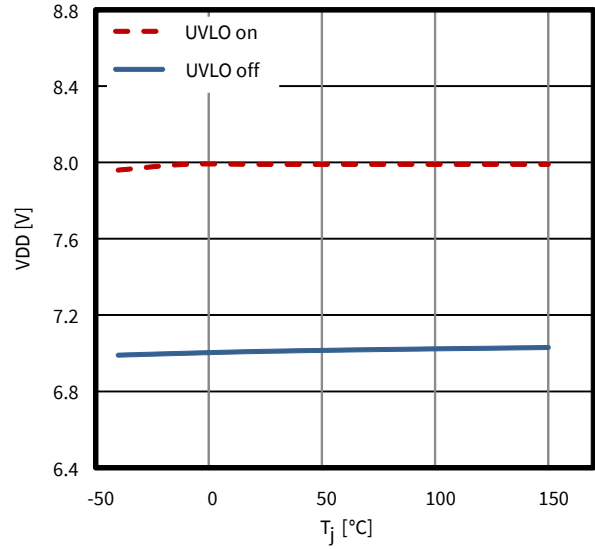
Typical characteristics

5 Typical characteristics

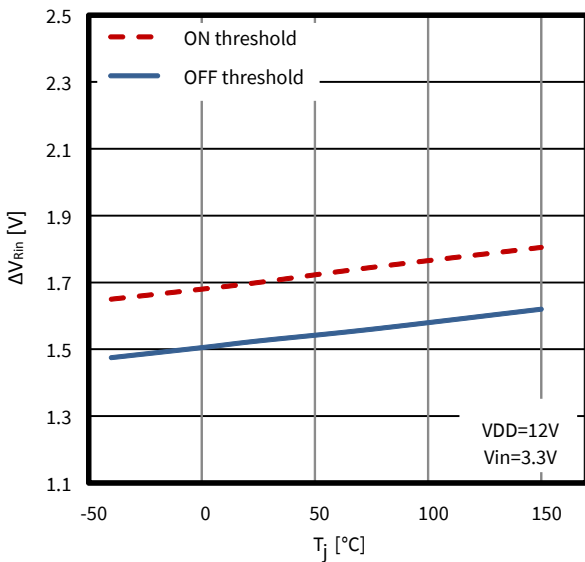
1. Undervoltage Lockout threshold (1EDN7550) vs temperature



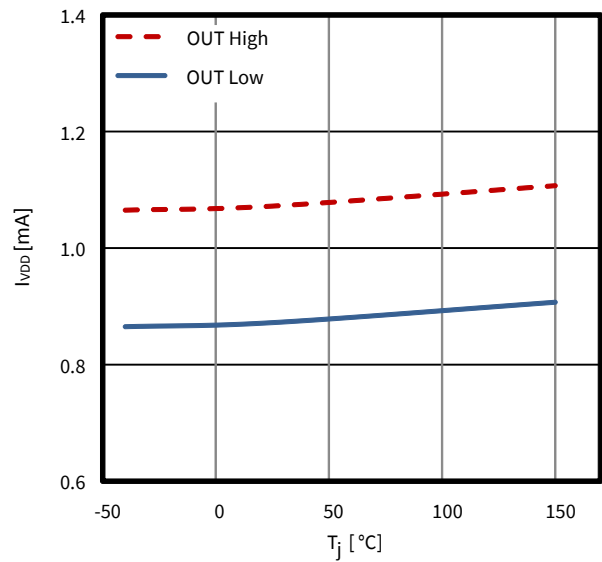
2. Undervoltage Lockout threshold (1EDN8550) vs temperature



3. Differential input voltage threshold vs temperature

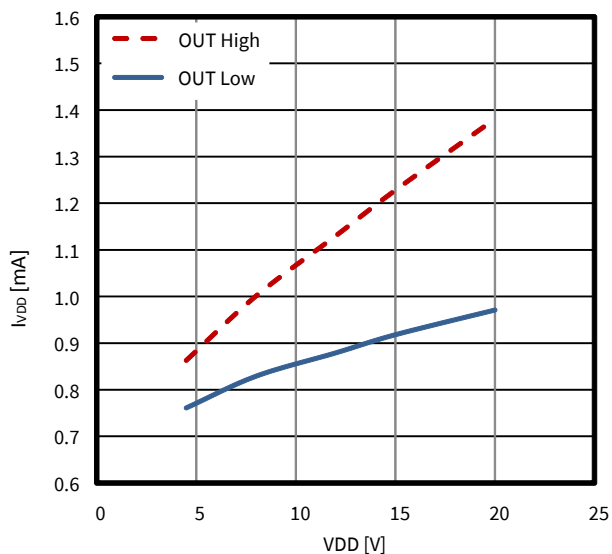


4. Typical quiescent current vs temperature

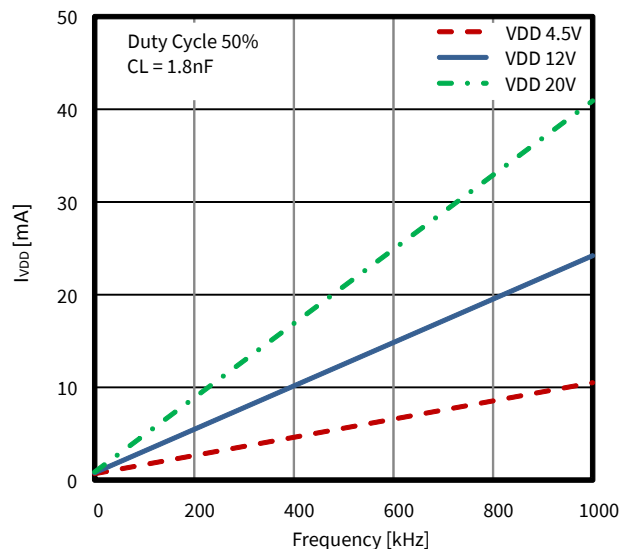


Typical characteristics

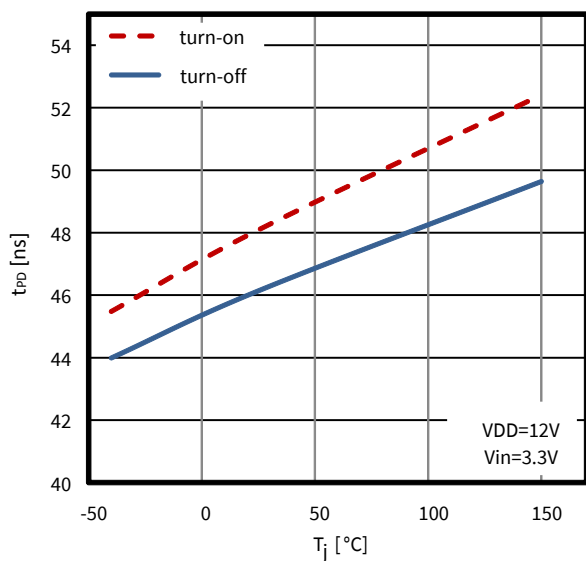
5. Typical quiescent current vs supply voltage



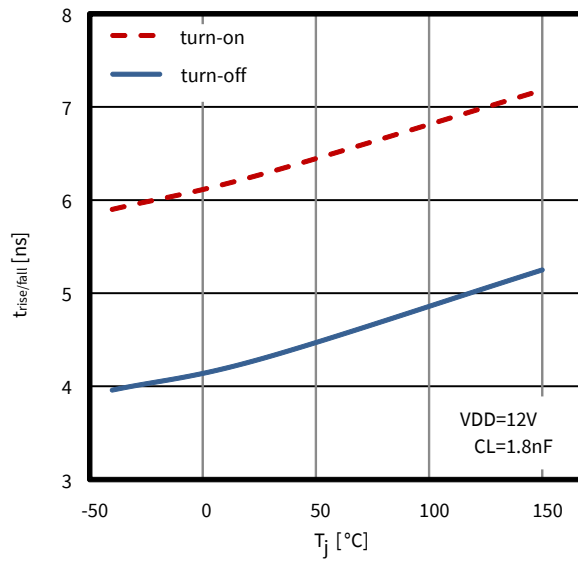
6. Total operating current consumption with capacitive load vs frequency



7. Typical propagation delay vs temperature



8. Typical rise and fall time vs temperature



Typical applications

6 Typical applications

6.1 Switches with Kelvin source connection (4-pin packages)

This is one of the key target applications of 1EDNx550. The 4-pin configuration depicted in **Figure 8** is a very effective measure to improve the switching performance of transistors in packages with high source inductance L_S as is typical for the widely used TO-packages. Although the Kelvin Source connection SS solves the problem of the largely increased switching losses due to L_S , it is evident, that the gate driver reference potential is moving by the inductive voltage drop v_{LS} with respect to the system ground SGND. In fast-switching applications at high current, v_{LS} can reach 100 V and above. This is why 4-pin systems so far either used isolated drivers or external filters with relatively low corner frequency that add significant signal delay. Now, however, 1EDNx550 provides an optimum solution for this case.

Figure 8 also indicates that the usually SGND-related V_{DD} cannot be used directly as the driver supply. But due to the high frequency of v_{LS} (> 100 MHz), a filter composed of impedance Z_{VDD} together with the blocking cap C_{VDD} is well suited to generate a sufficiently stable driver supply. Z_{VDD} can be either a resistor (e.g. 22 Ω with a typical C_{VDD} of 1 μF) or, even better, a proper ferrite bead.

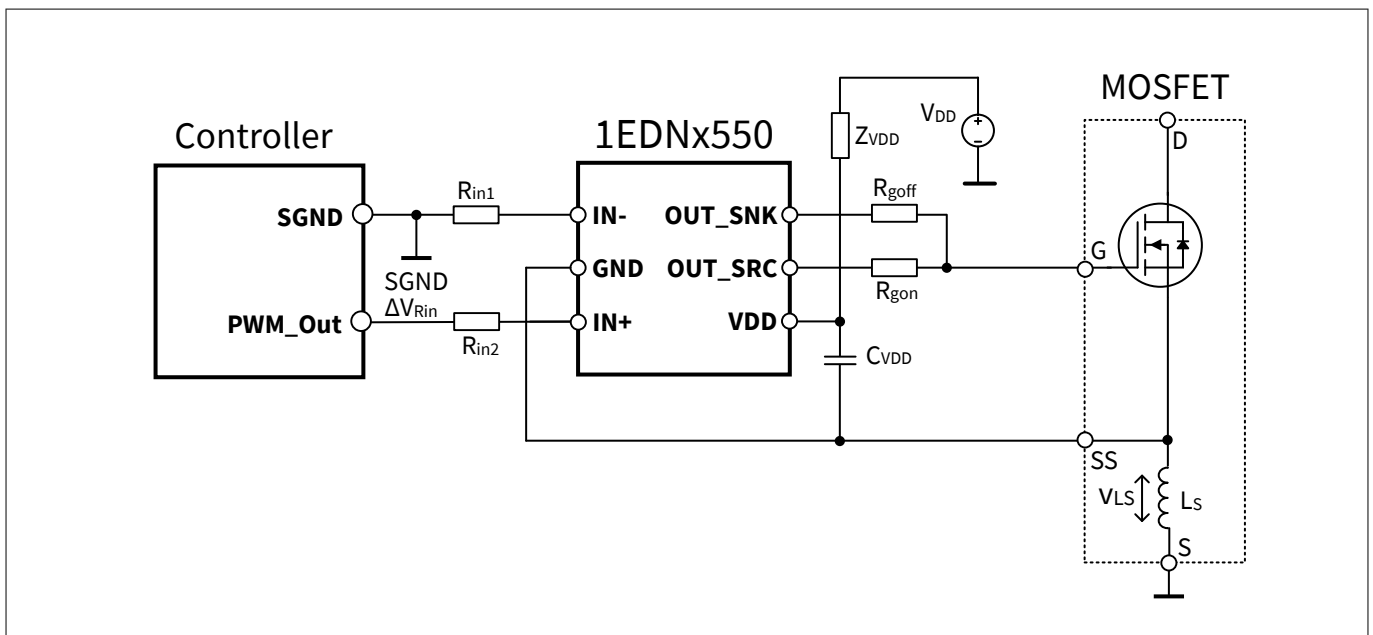


Figure 8 1EDN driving 4-pin MOSFET

6.2 Applications with significant parasitic PCB-inductances

In fast switching power systems the unavoidable parasitic inductance associated with any electrical connection may cause significant inductive voltage drops, particularly if the PCB-layout cannot be optimized, the most common reasons being limitations in the number of PCB-layers, geometric restrictions or also the lack of specific experience. In such situations the high robustness of 1EDNx550 with respect to “switching noise” (high-frequency voltage between reference potential of driver and controller) is extremely valuable and allows good performance even in systems with formerly critical layout. **Figure 9** indicates a respective example, indicating the most relevant parasitic PCB-inductances.

Typical applications

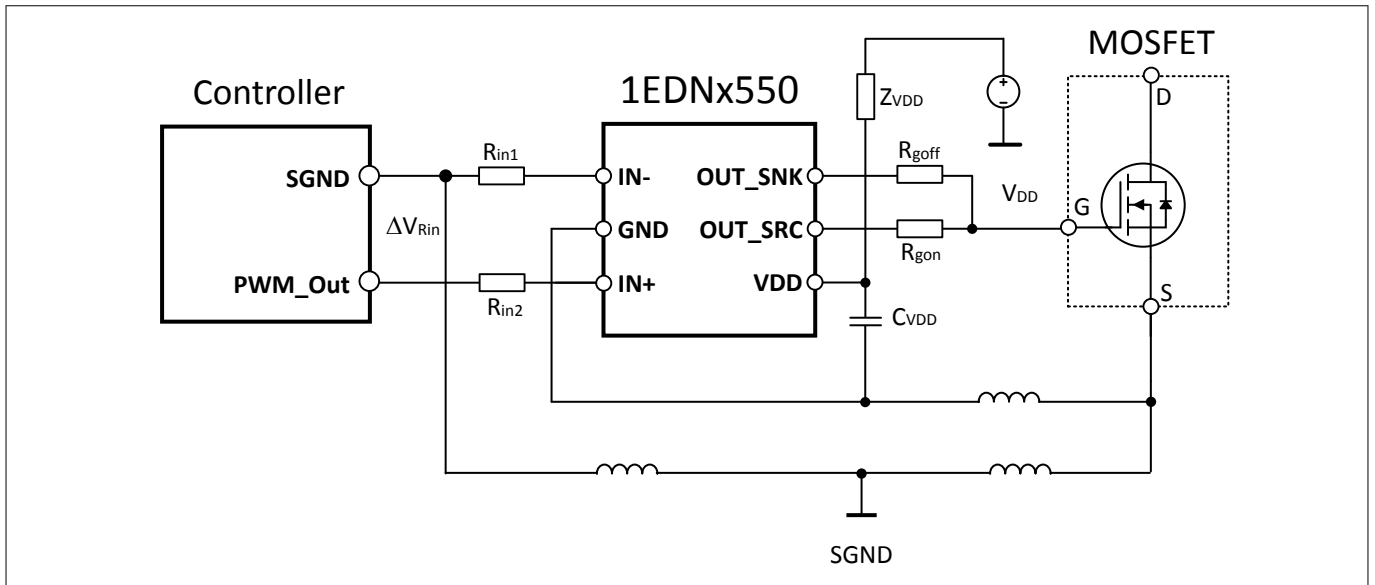


Figure 9 Application with significant PCB inductance

6.3 Switches with bipolar gate drive

Another application 1EDNx550 is tailored for, is driving power switches that require a negative gate-to-source voltage to safely hold them in the “off” state. Although MOSFETs are usually operated at zero “off” voltage, in certain situations a negative gate drive voltage can be very helpful. Particularly the fast switching “off” of high current when using switches with large common source inductance (e.g. in 3-pin TO-packages) may become critical in terms of losses and stability with a zero “off” level. In such cases a negative gate drive voltage is able to significantly improve switching performance. As depicted in [Figure 10](#), this kind of application is completely uncritical and handled easily with 1EDNx550, while standard drivers cannot be applied directly without adaptations.

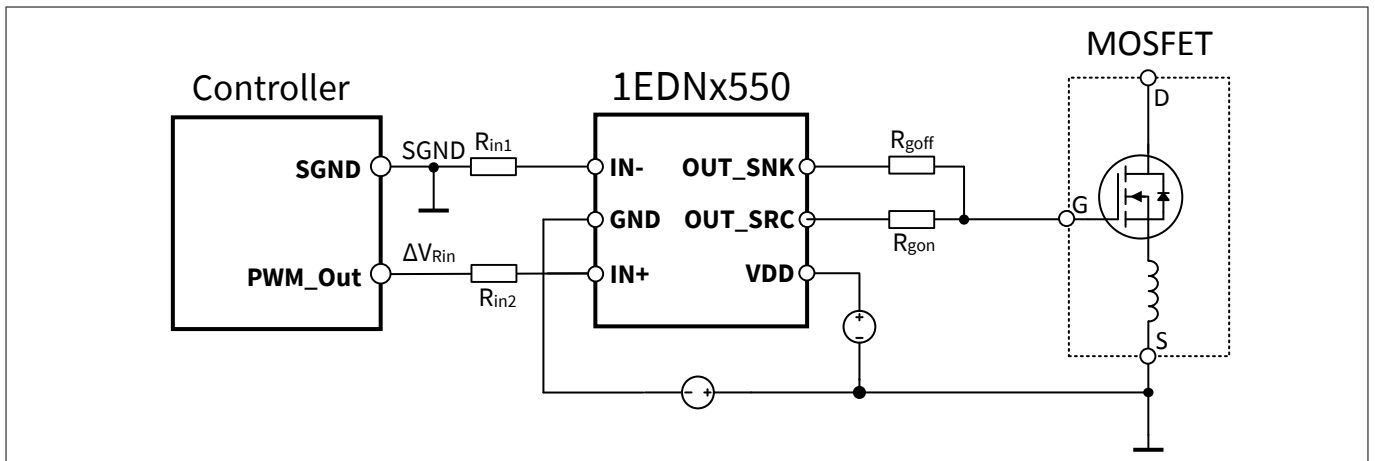


Figure 10 Bipolar gate drive for 3-pin MOSFET

Typical applications

6.4 High-side switches

Due to the large static input common-mode range, even driving high-side switches is an interesting application field for 1EDNx550. Although not providing galvanic isolation, 1EDNx550 can functionally be used as a high-side driver, as long as the power-loop voltage V_P does not cause a violation of the allowed common-mode range.

In high-side operation as depicted in **Figure 11**, the driver ground GND switches between zero (“off”) and V_P (“on” state) with respect to SGND; the resulting common-mode voltage at the driver input pins is 0 and $-V_P/12$, respectively. The input voltage restriction to -7 V (**Table 7**) thus limits V_P to 84 V. In many applications the driver supply voltage can be generated by means of the well-known bootstrapping method also indicated in **Figure 11**.

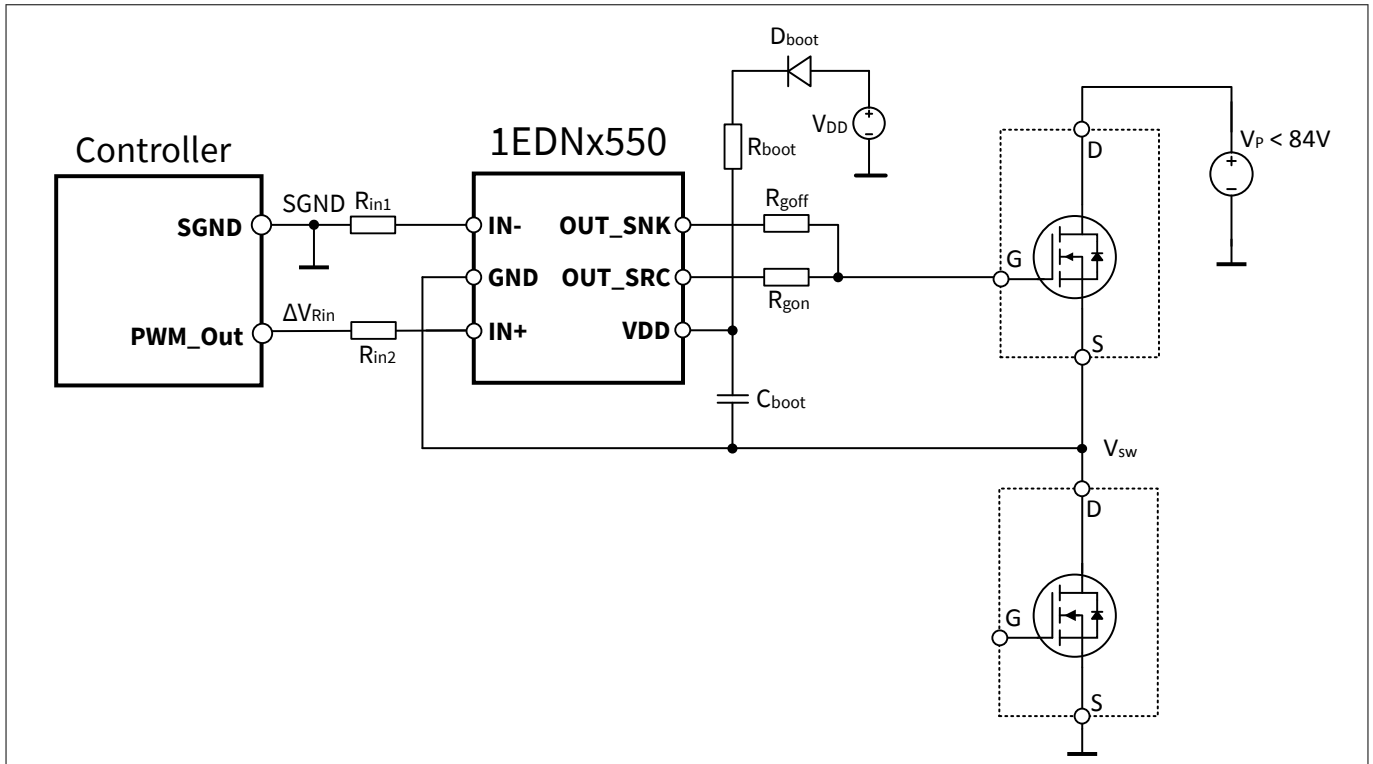


Figure 11 1EDNx550 as a high-side driver

Layout guidelines

7 Layout guidelines

It is well-known that the layout of a fast-switching power system is a critical task with strong influence on the overall performance. This is why there exists a huge number of rules, recommendations, guidelines, tips and tricks that should help to finally end up with a proper system layout.

With 1EDNx550 one of the central layout problems, namely the design of the grounding network, has become much less critical due to the highly reduced sensitivity of the differential concept with respect to ground voltage differences. So layout rules can be restricted to the following rather simple and evident ones:

- place input resistors R_{in} close to the driver and make layout of input signal path as symmetric and as compact as possible
- use a low-ESR decoupling capacitance for the V_{DD} supply and place it as close as possible to the driver
- minimize power loop inductance as the most critical limitation of switching speed due to the resulting unavoidable voltage overshoots

A layout recommendation for the input path of the SOT23 package version is given in [Figure 12](#).

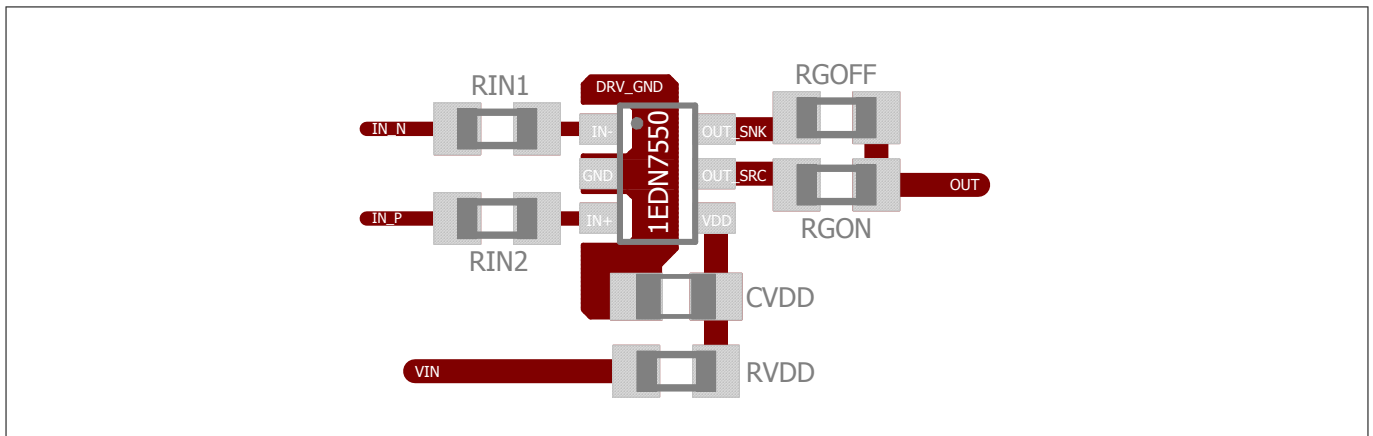


Figure 12 Layout recommendation for SOT23 package

As in the case of the TSNP package routing in a single PCB layer is not possible, the layout can be changed according to [Figure 13](#). The chosen size of the input resistors (0603) allows to utilize the full dynamic common-mode input range of ± 150 V.

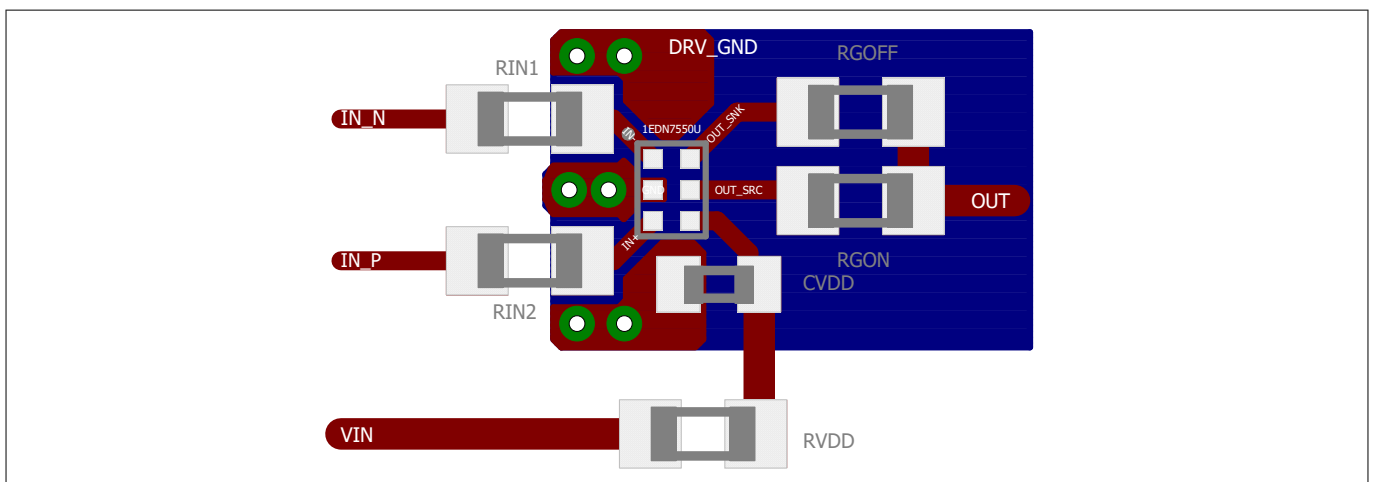


Figure 13 Layout recommendation for TSNP package with SMD resistor 0603

Layout guidelines

For applications that do not require the maximum CMR an even more compact layout utilizing resistors of size 0402 is shown in [Figure 14](#).

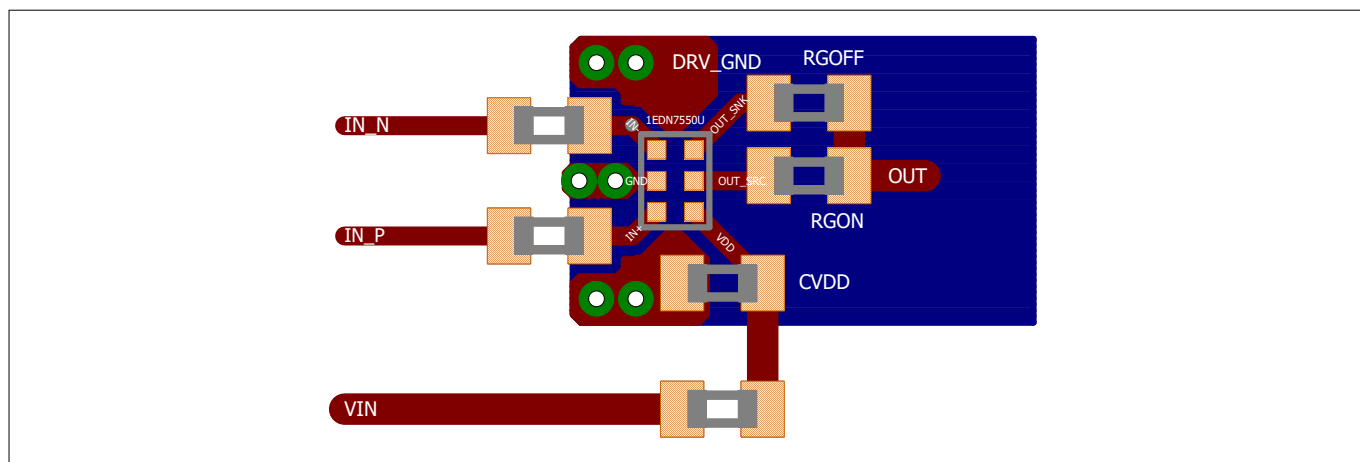


Figure 14 **Layout recommendation for TSNP package with SMD resistor 0402**

For further layout recommendations for TSNP, see [Recommendations for Printed Circuit Board Assembly of Infineon TSLP/TSSLP/TSNP Packages](#).

Package information

8 Package information

8.1 PG-SOT23-6 package

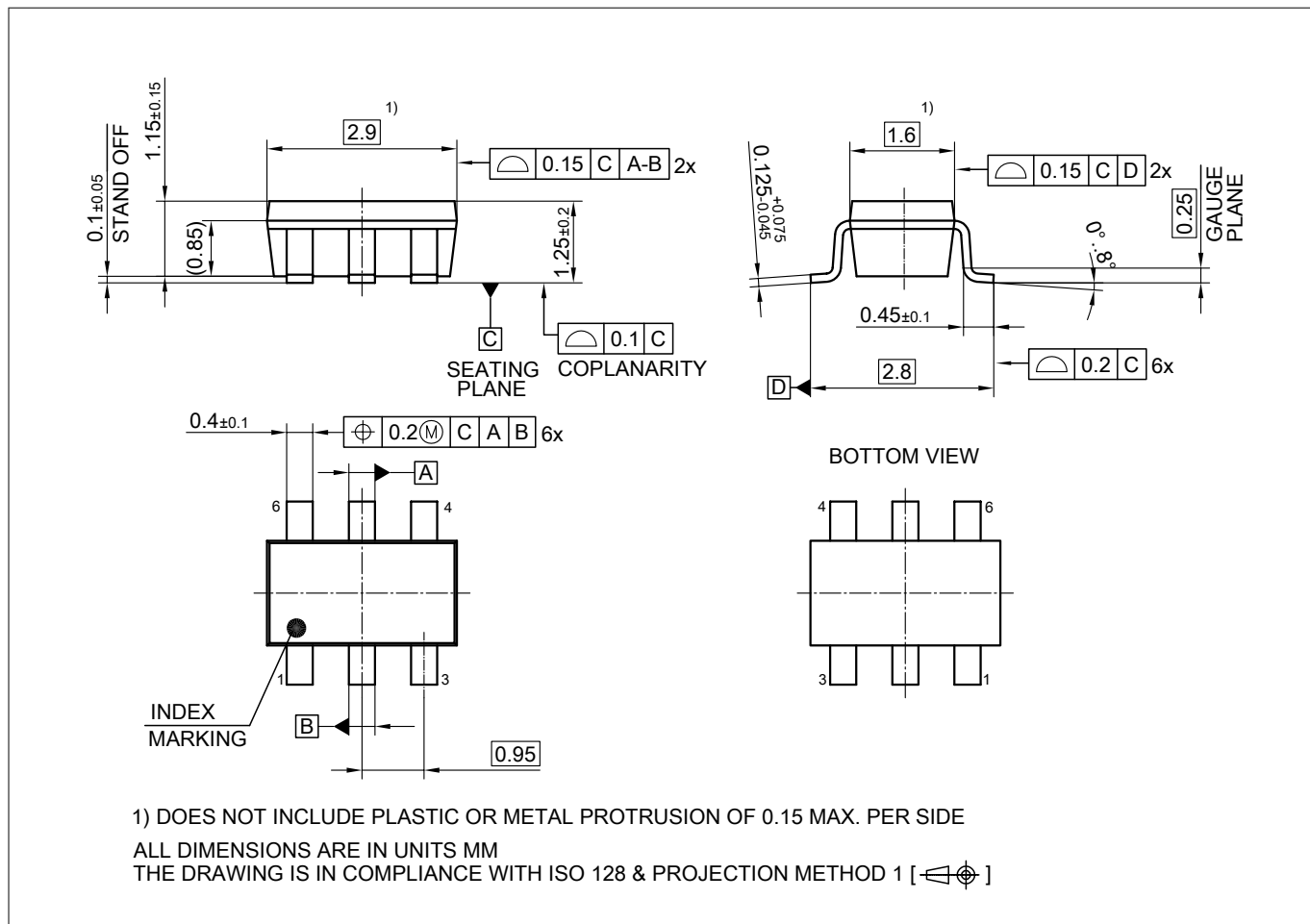


Figure 15 SOT23 outline

Package information

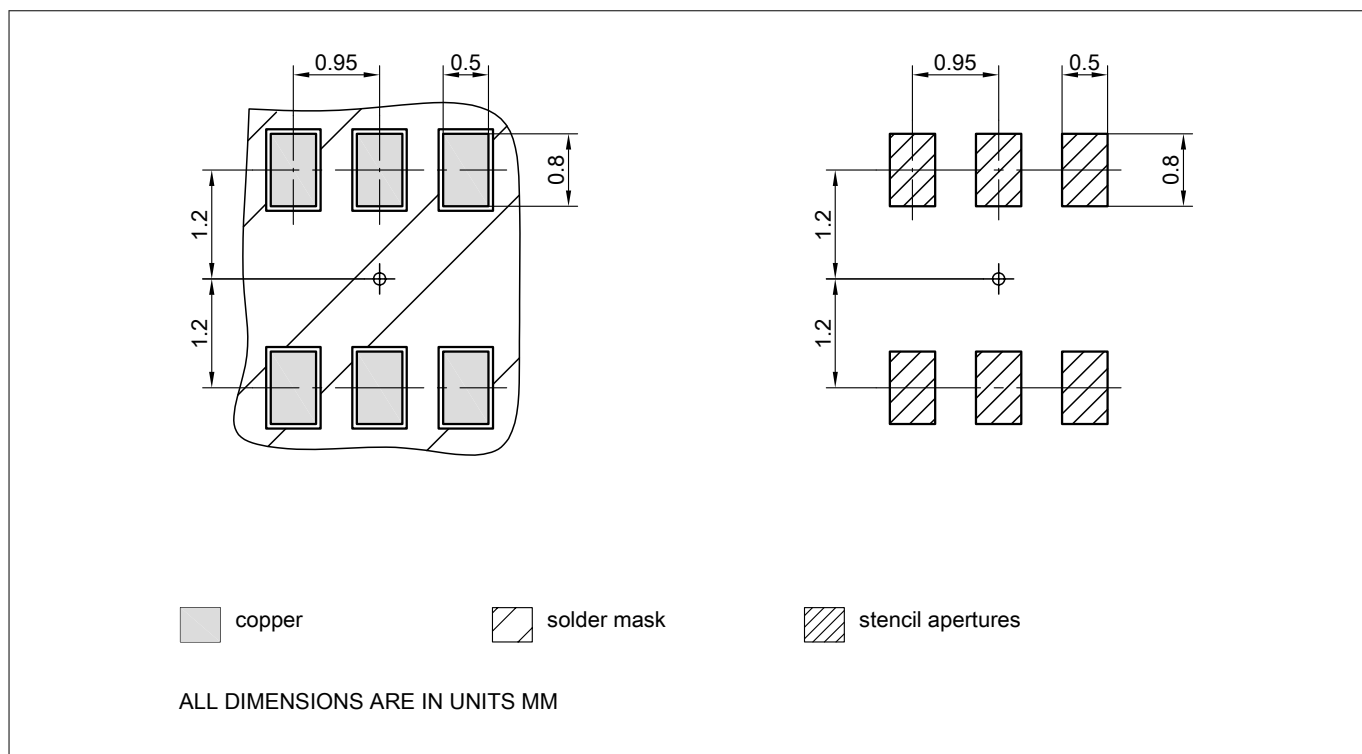


Figure 16 SOT23 footprint

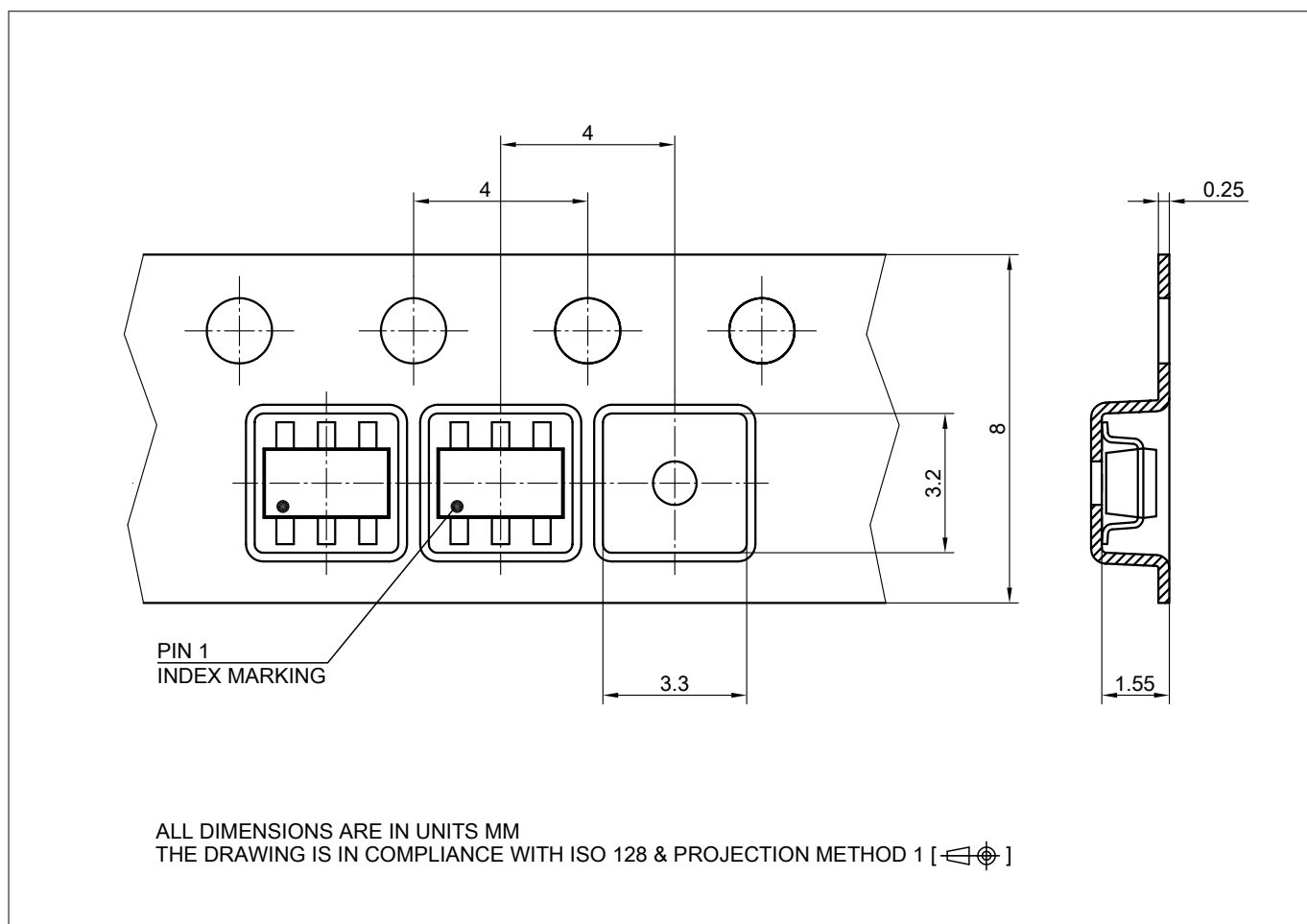


Figure 17 SOT23 packaging

Package information

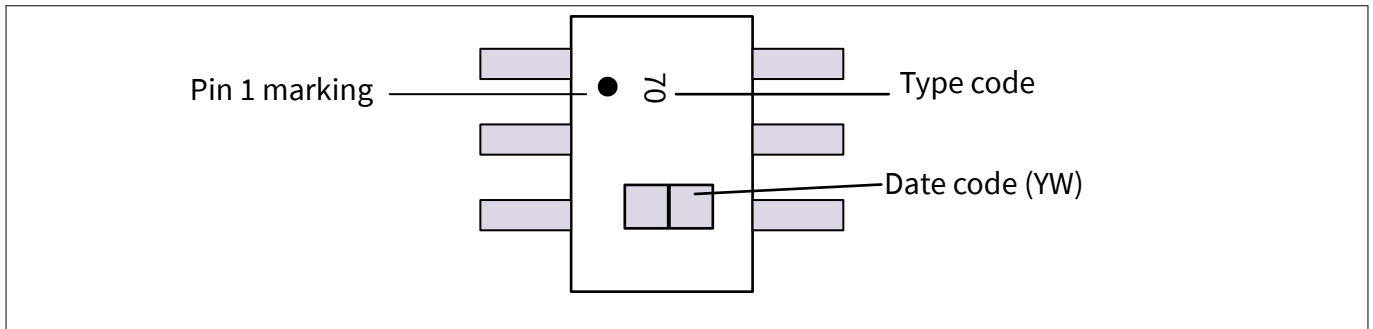


Figure 18 Package marking (SOT23)

Note: Date code digits Y and W in Table [Table 14](#) and [Table 15](#)

Table 14 Year date code marking - digit "Y"

Year	Y	Year	Y	Year	Y
2000	0	2010	0	2020	0
2001	1	2011	1	2021	1
2002	2	2012	2	2022	2
2003	3	2013	3	2023	3
2004	4	2014	4	2024	4
2005	5	2015	5	2025	5
2006	6	2016	6	2026	6
2007	7	2017	7	2027	7
2008	8	2018	8	2028	8
2009	9	2019	9	2029	9

Table 15 Week date code marking - digit "W"

Week	W	Week	W	Week	W	Week	W	Week	W
1	A	12	N	23	4	34	h	45	v
2	B	13	P	24	5	35	j	46	x
3	C	14	Q	25	6	36	k	47	y
4	D	15	R	26	7	37	l	48	z
5	E	16	S	27	a	38	n	49	8
6	F	17	T	28	b	39	p	50	9
7	G	18	U	29	c	40	q	51	2
8	H	19	V	30	d	41	r	52	3
9	J	20	W	31	e	42	s	-	-
10	K	21	Y	32	f	43	t	-	-
11	L	22	Z	33	g	44	u	-	-

Package information

8.2 PG-TSNP-6 package

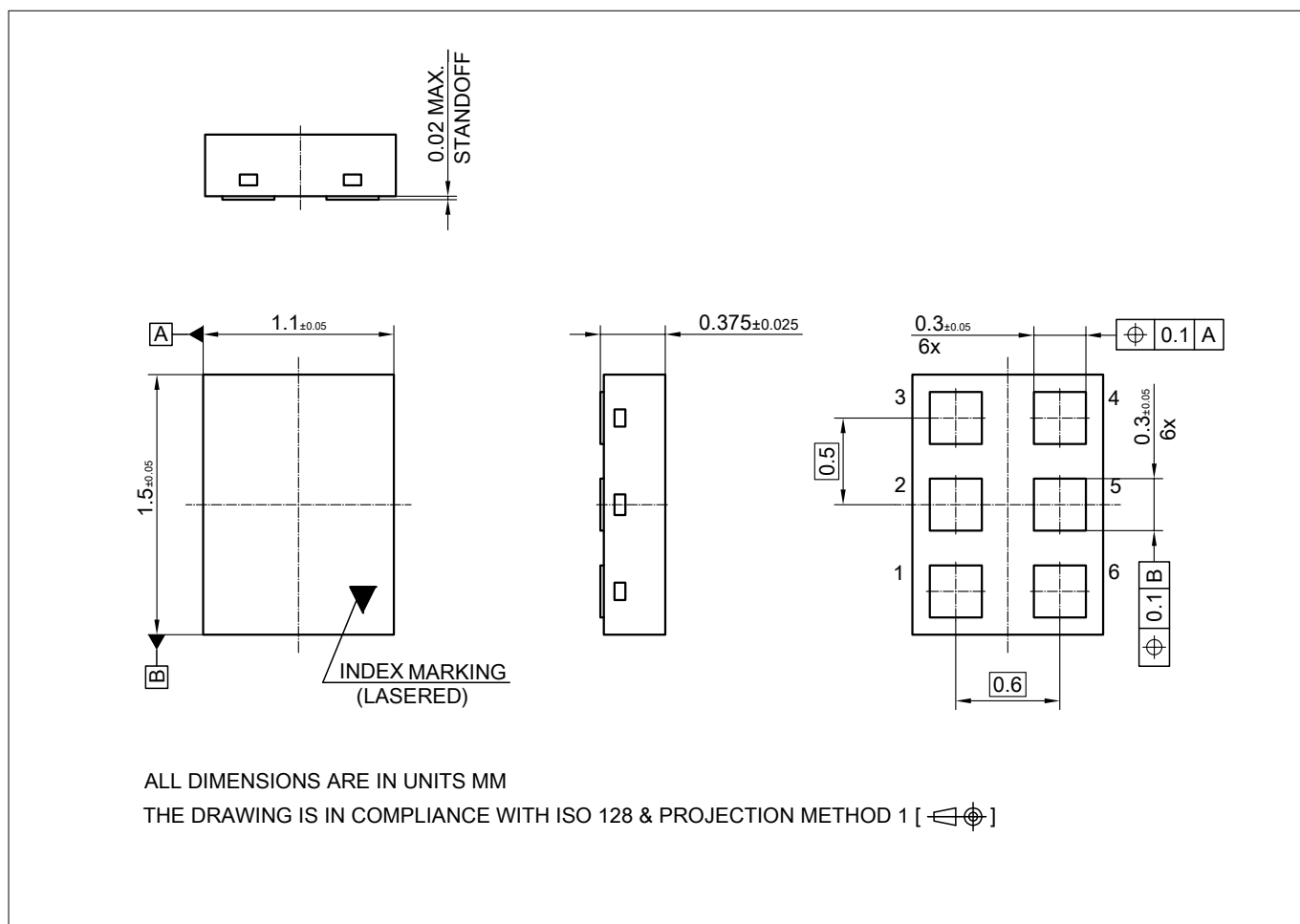


Figure 19 TSNP-6 outline

Package information

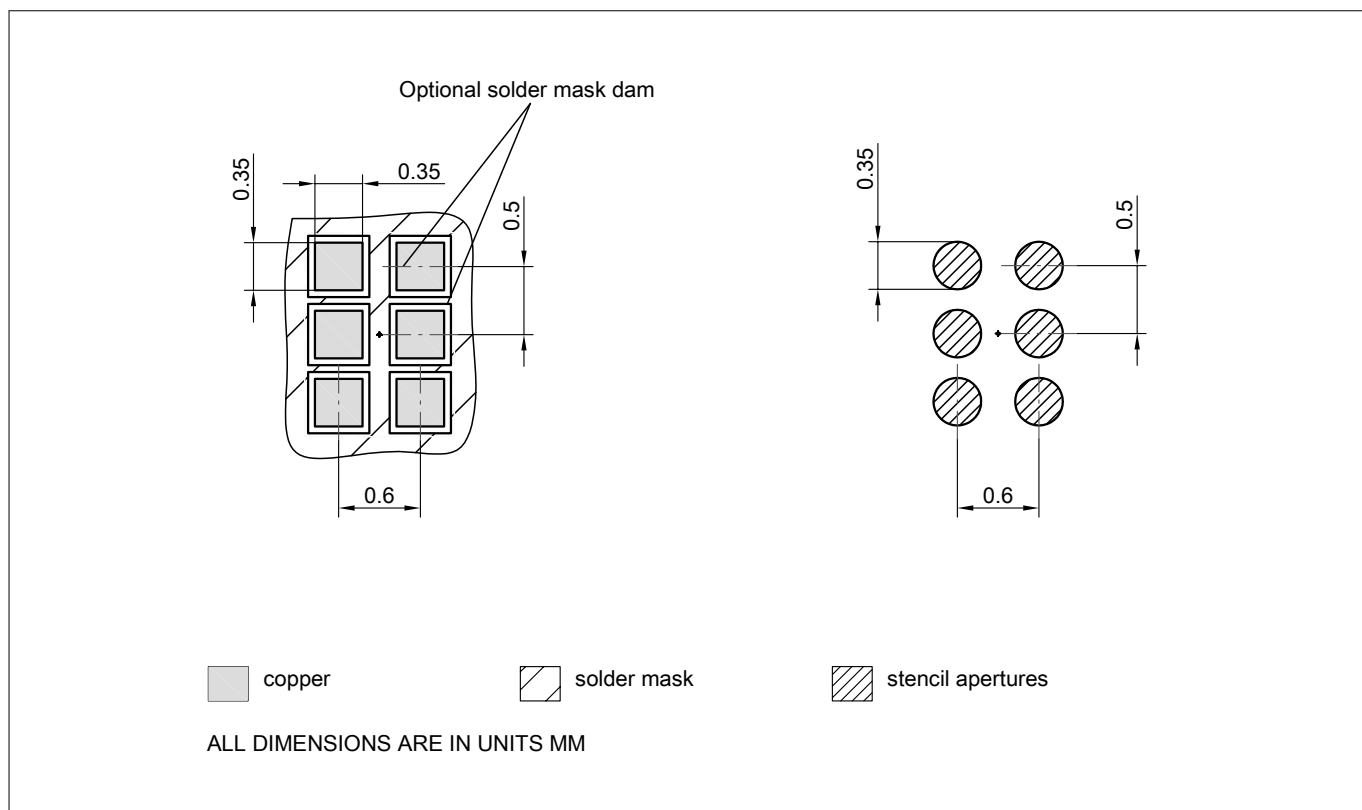


Figure 20 TSNP-6 footprint

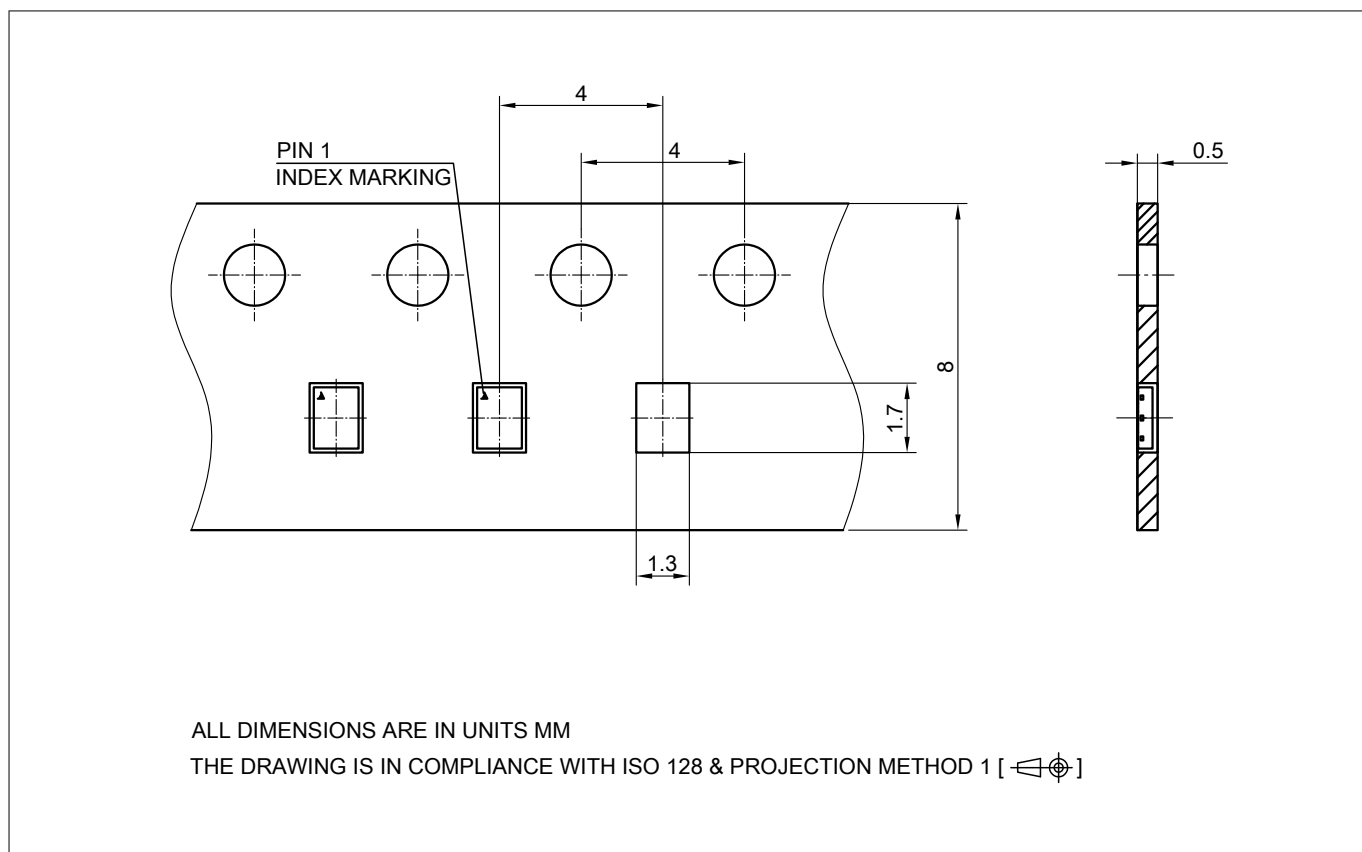


Figure 21 TSNP-6 packaging

Package information

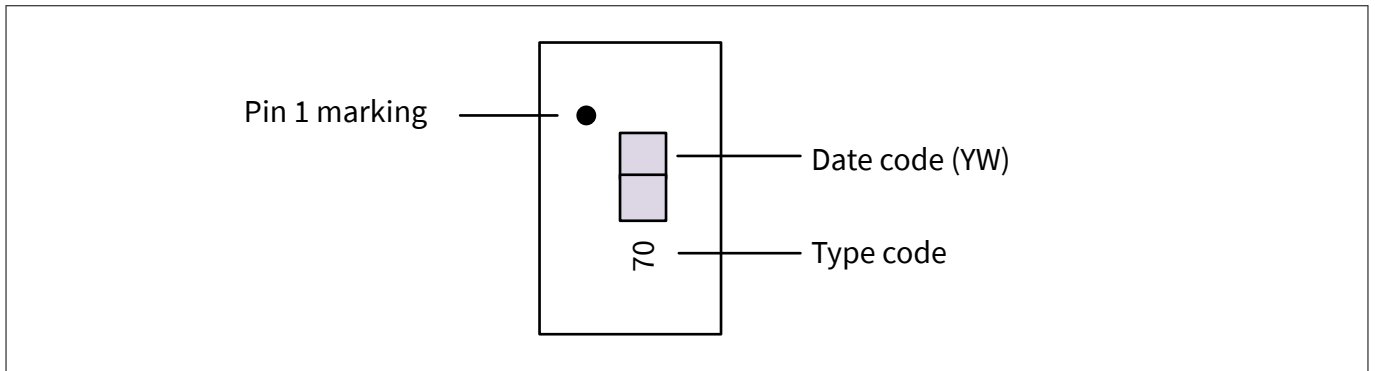


Figure 22 Package marking (TSNP-6)

Note: Date code digits Y and W in Table and [Table 14](#) and [Table 15](#)

Further information on packages: www.infineon.com/packages

9 Device numbers and markings

Table 16 Device numbers and markings

Part number	Orderable part number (OPN)	Device marking
1EDN7550B	1EDN7550BXTSA1	70
1EDN8550B	1EDN8550BXTSA1	80
1EDN7550U	1EDN7550UXTSA1	70

Revision history

Revision history

Document version	Date of release	Description of changes
Rev.2.2	2019-12-09	<ul style="list-style-type: none"> Added new product 1EDN7550U with package TSNP-6 On front cover "Description", added reference to application note (Applications of 1EDNx550 single-channel lowside EiceDRIVER™ with truly differential inputs.) for input PWM signal voltage levels other than 3.3 V Added Table 3, Logic table Corrected footnote in Table 4 V_{ESD_HDM} Updated Max. value in Table 4 V_{ESD_CDM} and added footnote Updated Thermal characteristics in Table 5 and added Table 6 Updated Typ. values for Table 8 and added footnotes for Table 13 Added Figure 5 for Test circuit Added layout recommendations for TSNP package Figure 13 and Figure 14 Added package marking for SOT23 Figure 18 and code marking tables Table 14, Table 15 Added package marking for TSNP Figure 22 Added Chapter 9, Device numbers and markings
Rev. 2.1	2019-11-28	<ul style="list-style-type: none"> Parameter split in Table 4 Voltage at pins OUT_SRC and OUT_SNK → Voltage at pin OUT_SRC and Voltage at pin OUT_SNK and specified min. and max. Corrected typo in Table 4 V_{ESD_CDM} To match pin configurations in Figure 2 update of Figure 1 as well as in Chapter 5 the Figure 8 to Figure 11. Updated diagram according to number of OUT pins → OUTx, Figure 7 CLoad → CL for Fig 12 and Fig 14 Updated to latest package diagrams, Chapter 8
Rev. 2.0	2018-05-14	Final Datasheet created

Trademarks

All referenced product or service names and trademarks are the property of their respective owners.

Edition 2019-12-09

Published by
Infineon Technologies AG
81726 Munich, Germany

© 2019 Infineon Technologies AG
All Rights Reserved.

Do you have a question about any
aspect of this document?
Email: erratum@infineon.com

Document reference
IFX-fkz1513594931854

IMPORTANT NOTICE

The information given in this document shall in no event be regarded as a guarantee of conditions or characteristics ("Beschaffheitsgarantie").

With respect to any examples, hints or any typical values stated herein and/or any information regarding the application of the product, Infineon Technologies hereby disclaims any and all warranties and liabilities of any kind, including without limitation warranties of non-infringement of intellectual property rights of any third party.

In addition, any information given in this document is subject to customer's compliance with its obligations stated in this document and any applicable legal requirements, norms and standards concerning customer's products and any use of the product of Infineon Technologies in customer's applications.

The data contained in this document is exclusively intended for technically trained staff. It is the responsibility of customer's technical departments to evaluate the suitability of the product for the intended application and the completeness of the product information given in this document with respect to such application.

WARNINGS

Due to technical requirements products may contain dangerous substances. For information on the types in question please contact your nearest Infineon Technologies office.

Except as otherwise explicitly approved by Infineon Technologies in a written document signed by authorized representatives of Infineon Technologies, Infineon Technologies' products may not be used in any applications where a failure of the product or any consequences of the use thereof can reasonably be expected to result in personal injury