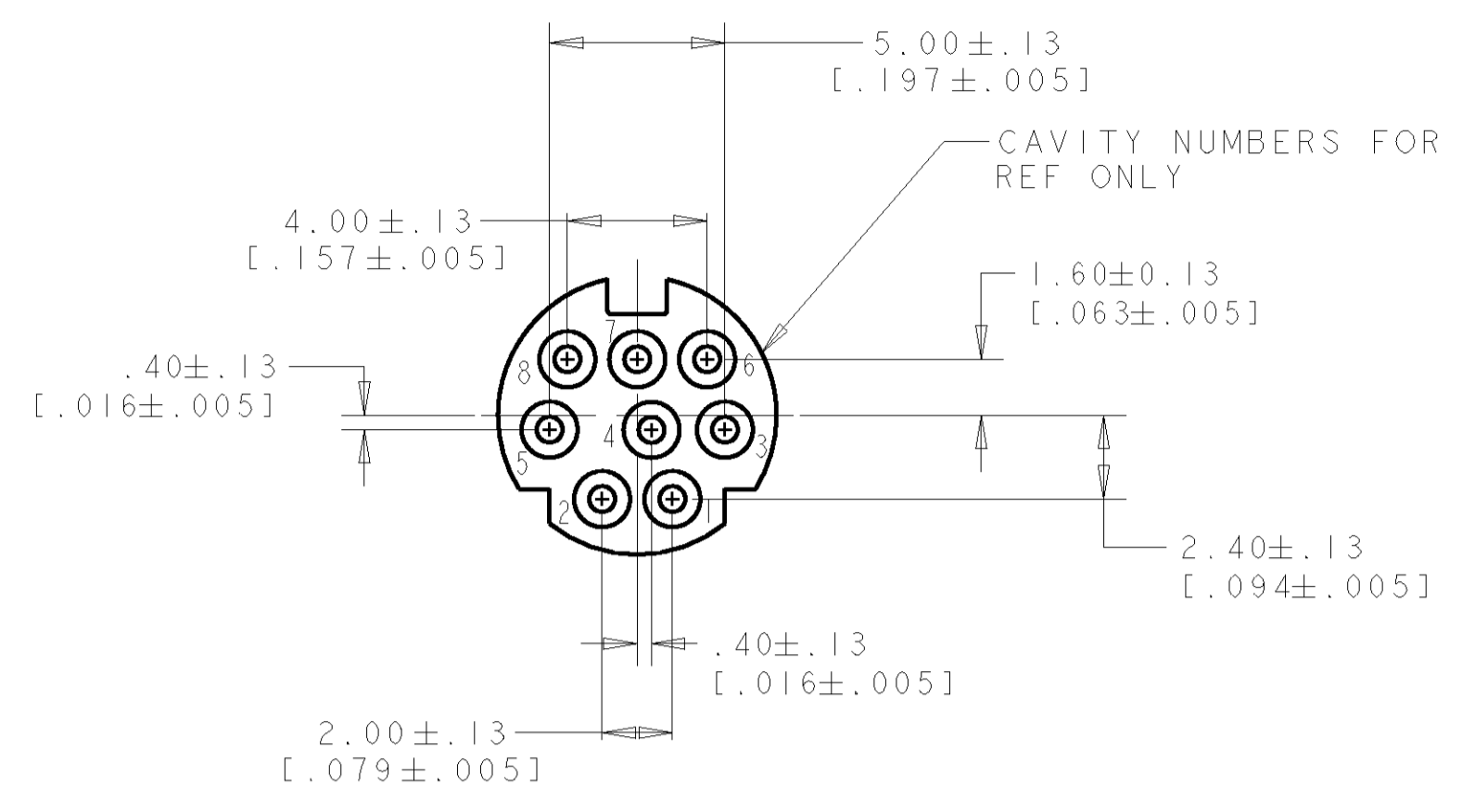
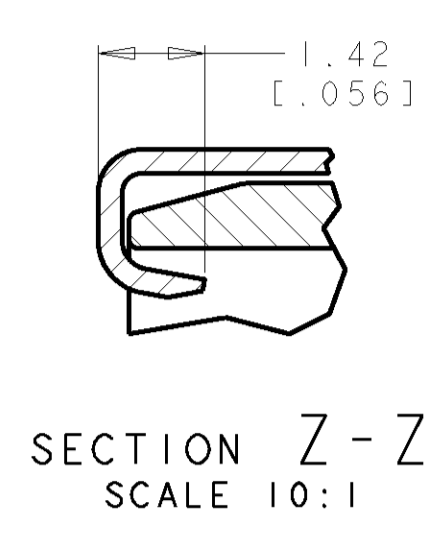
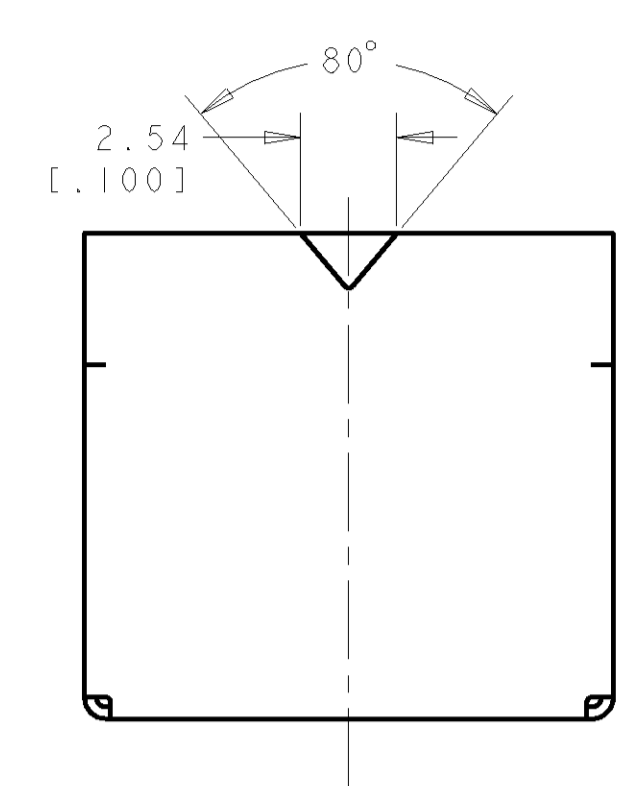
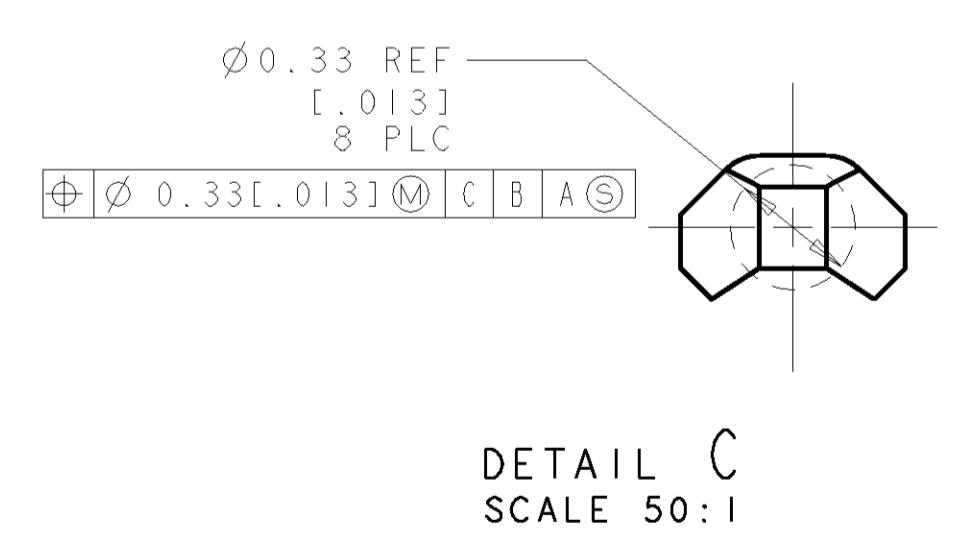
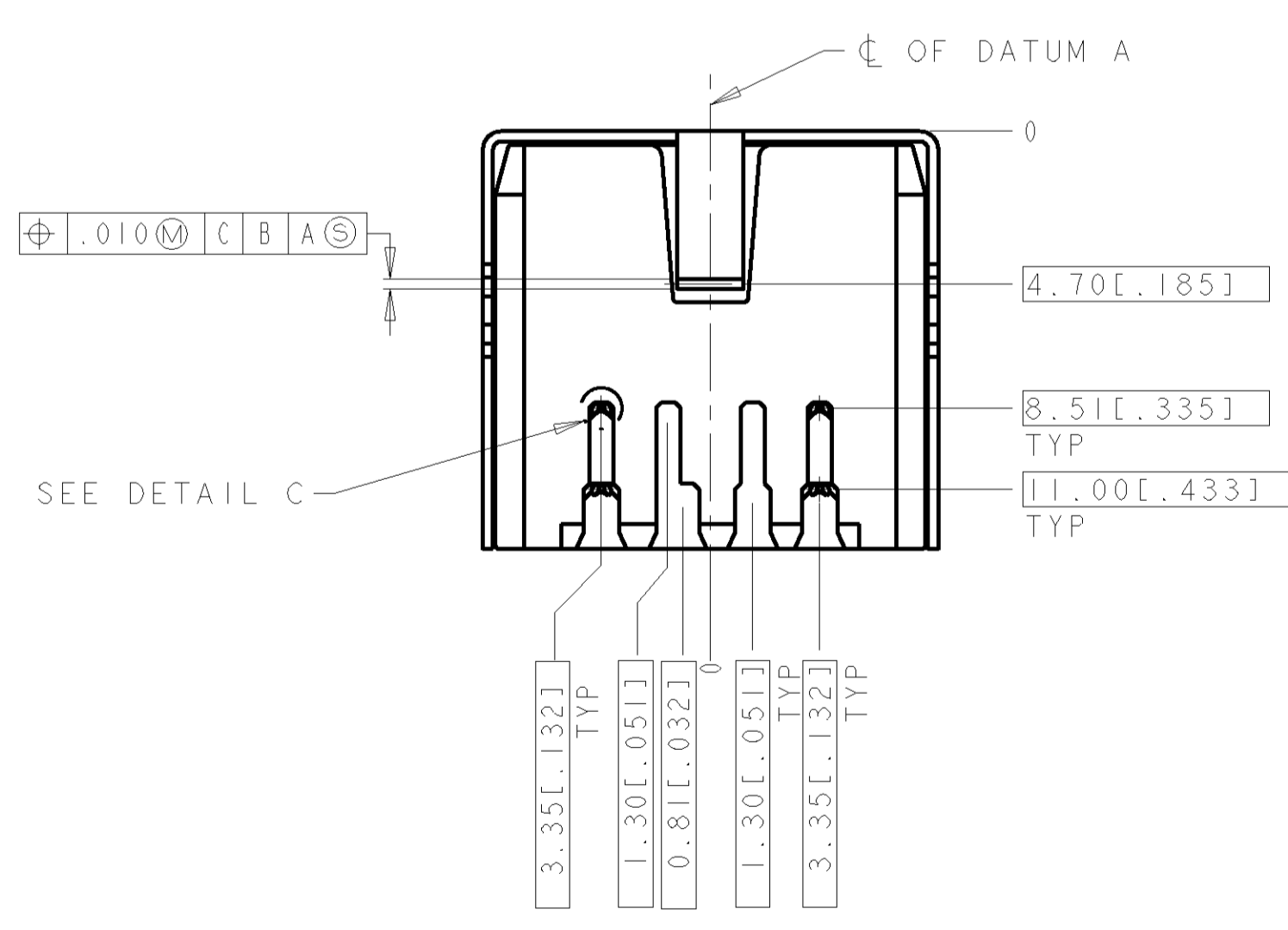
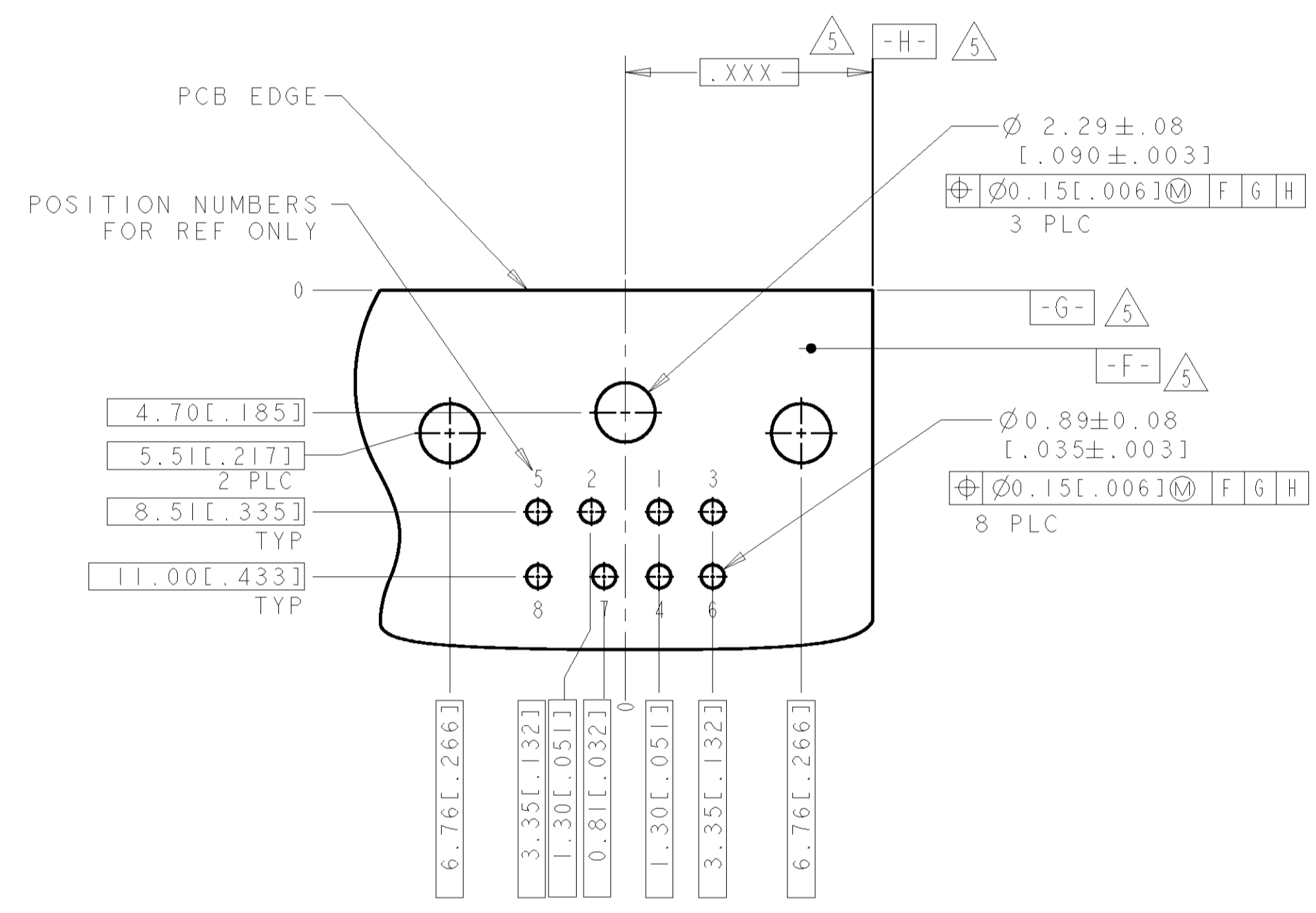
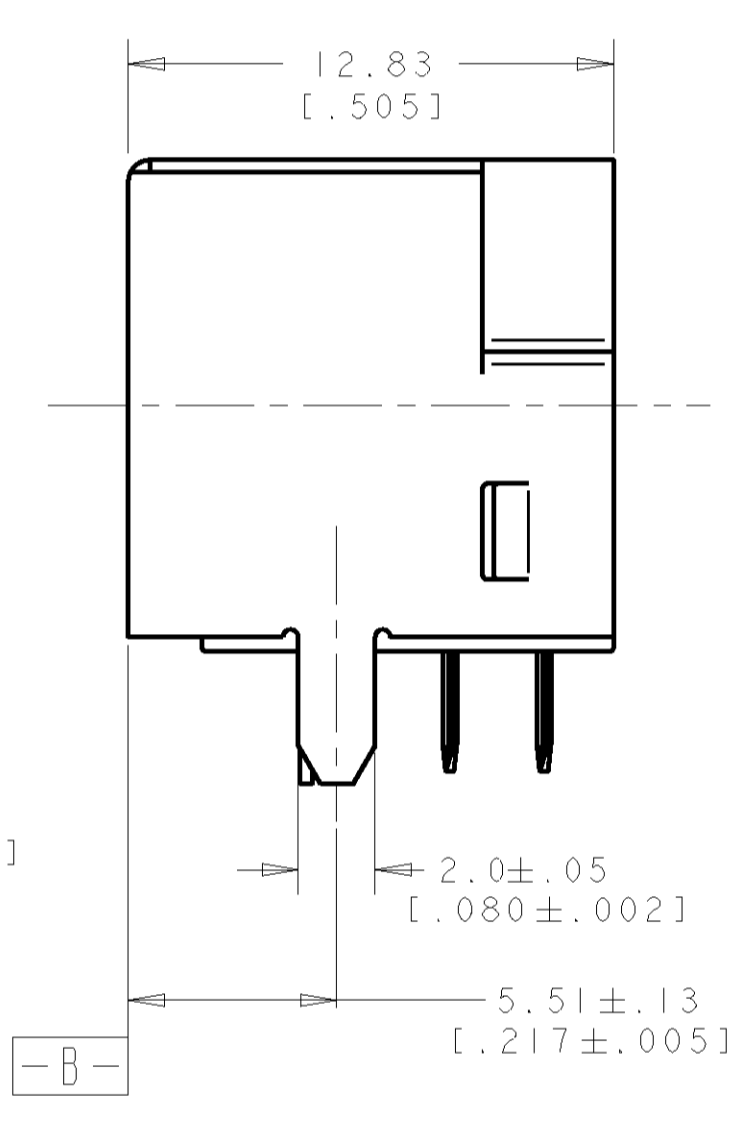
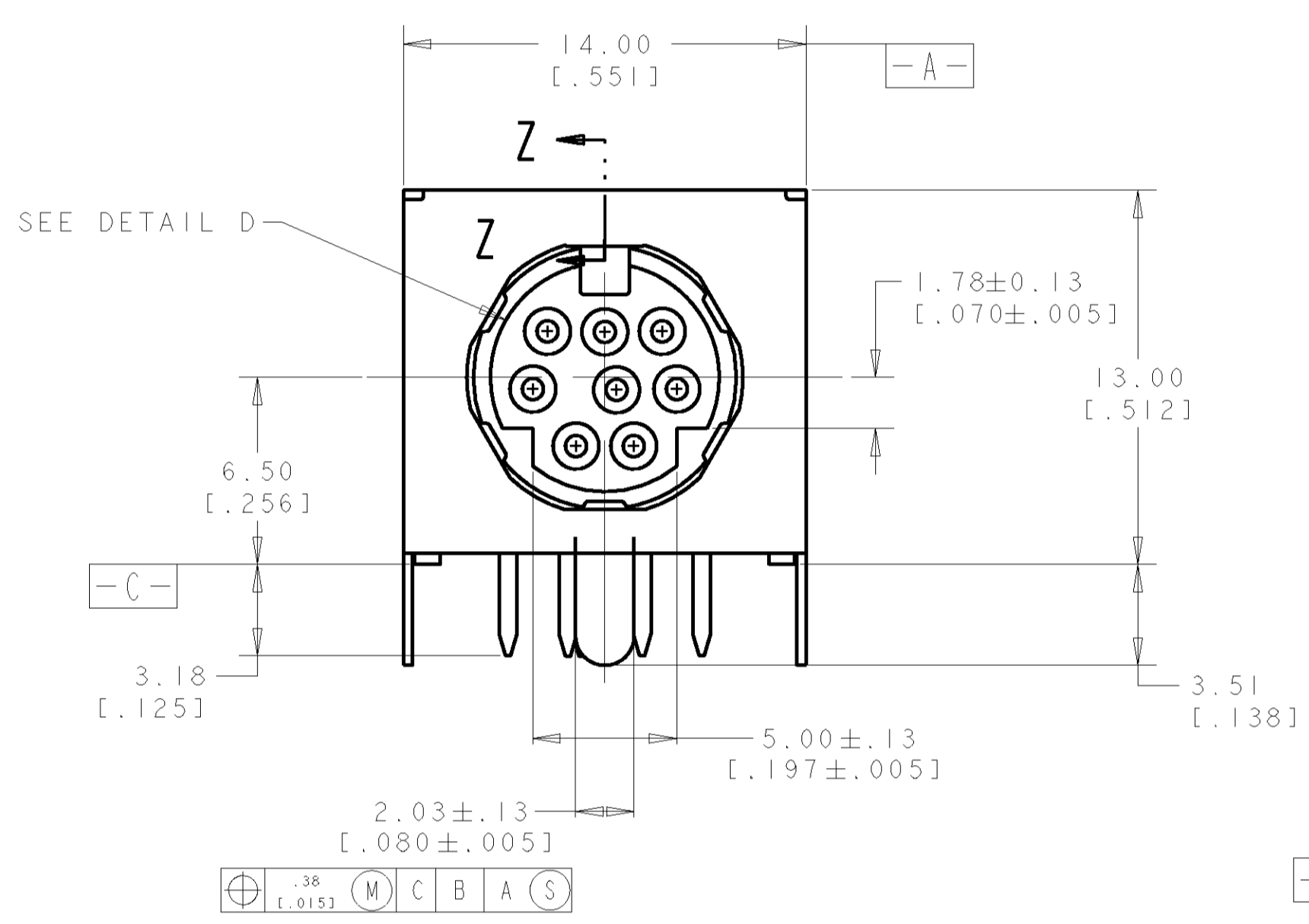


LOC	DIST	REVISIONS			
F	LTR	DESCRIPTION	DATE	DNM	APRD
0		NPR FPD0-0340-04	5JAN05	LWY	LSF



- △ RECEPTACLE CONTACTS: COPPER ALLOY.
RECEPTACLE SHIELD: COPPER ALLOY.
HOUSING: THERMOPLASTIC, BLACK, 94V-0 RATED.
- △ PLATING:
RECEPTACLE CONTACTS - GOLD PLATED .00076 MIN [.000030 MIN] THICK ON MATING END, MATTE-TIN PLATED .0030 MIN [.000120 MIN] THICK ON SOLDER TAIL ALL OVER .0013 MIN [.000050 MIN] THICK NICKEL.
- △ PLATING:
RECEPTACLE SHIELD - PRE-TIN PLATED
- 4. RECEPTACLE ASSEMBLY MATES WITH 8 PIN 9.00±.10 [.354±.004] DIAMETER PLUG.
- △ DATUMS AND BASIC DIMENSION SUPPLIED BY CUSTOMER.



<small>THIS DRAWING IS A CONTROLLED DOCUMENT FOR AMP INCORPORATED. ALL DIMENSIONS ARE IN INCHES UNLESS OTHERWISE SPECIFIED. ANY CHANGES TO THIS DRAWING WITHOUT THE AUTHORITY OF THE ORIGINAL DESIGNER SHOULD BE CONTACTED FOR THE LATEST REVISION.</small>		DWN: WYLEE 05JAN2005 CRN: SF LEONG APD: SF LEONG	tyco Tyco Electronics Singapore Pte. Ltd.
DIMENSIONS: mm [INCHES]	TOLERANCES UNLESS OTHERWISE SPECIFIED: 0 PLC ± 1 PLC ± 5 PLC ± 4 PLC ± ANGLES ±40° 30'	NAME: RECEPTACLE ASSY, 8 POS, MINIATURE CIRCULAR DIN PRODUCT SPEC: 108-1225 APPLICATION SPEC:	P/N: 5749267-1 AS SHOWN SIZE: A1 CAGE CODE: 00779 DRAWING NO: 5749267 SCALE: 5:1 SHEET 1 OF 1 REV 0
MATERIAL	FINISH	WEIGHT	CUSTOMER DRAWING