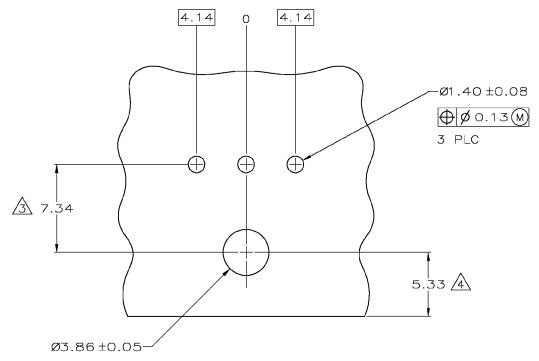
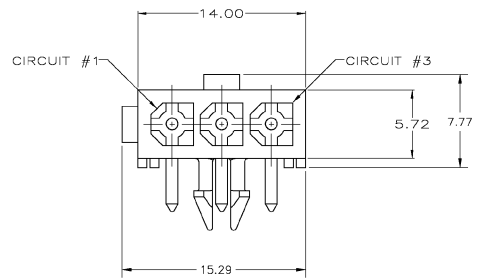
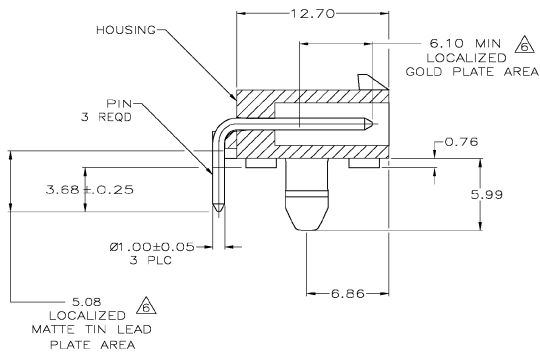


THIS DRAWING IS UNCONTROLLED. RELEASED FOR FULFILLMENT. ALL RIGHTS RESERVED.

REV	DATE	DESCRIPTION	BY	CHK	APP
CM 00					
E	REV PER EC	0618-0388-03	24JUL03	SC	CJ



RECOMMENDED MOUNTING HOLE PATTERN FOR 1.57 THICK P.C. BOARD

MM	IN	MM	IN
1.57	.062	14.00	.551
1.40	.055	12.70	.500
1.00	.039	7.34	.289
0.76	.030	6.86	.270
0.25	.010	5.99	.236
0.13	.005	5.72	.225
0.08	.003	5.33	.210
0.05	.002	5.08	.200
0.0038	0.000150	4.14	.163
0.00127	0.000050	3.86	.152
0.00076	0.000030	3.68	.145

CONVERSION TABLE

- PINS TO COMPLY WITH AMP SOLDERABILITY SPEC 109-11-3.
 - MATES WITH PLUG P/N 172166-1.
- ⚠ COORDINATE DIMENSION APPLIES FROM CENTER OF ACTUAL FEATURE.
 - ⚠ RECOMMENDED FOR EDGE MOUNTING.
 - ⚠ 0.00381 MIN MATTE TIN LEAD OVER 0.00127 MIN NICKEL ENTIRE LENGTH OF PIN.
 - ⚠ 0.00076 MIN GOLD PLATE IN THE LOCALIZED PLATE AREA, 0.00381 MIN MATTE TIN LEAD IN THE LOCALIZED PLATE AREA, BOTH OVER 0.00127 MIN NICKEL.
 - ⚠ 0.00381 MIN MATTE TIN OVER 0.00127 MIN NICKEL ENTIRE LENGTH OF PIN.

MATERIAL	FINISH	MATERIAL	COLOR	PART NO.
BRASS	⚠	NYLON, UL94V-0	WHITE	1-770967-0
BRASS	⚠	NYLON, UL94V-0	WHITE	770967-2
BRASS	⚠	NYLON, UL94V-0	WHITE	770967-1

THIS DRAWING IS A CONTROLLED DOCUMENT. **DATE** 24JUL2003 **BY** S. CARPENTER **CHKD** J. JONES **DATE** 24JUL2003 **BY** S. CARPENTER **CHKD** J. JONES

COMPANY Tyco Electronics Corporation, Harrisburg, PA 17109

PROJECT MINI UNIVERSAL MATE-N-LOK™

DESCRIPTION HEADER ASSEMBLY, RIGHT ANGLE, WITH SHORT PEG, 3 CIRCUIT.

SCALE 5:1 **SHEET** 1 OF 1 **REV** 1

DATE 24JUL2003 **BY** S. CARPENTER **CHKD** J. JONES **DATE** 24JUL2003 **BY** S. CARPENTER **CHKD** J. JONES

APP S. CARPENTER **CHK** J. JONES **DATE** 24JUL2003

REV 1 **DATE** 24JUL2003 **BY** S. CARPENTER **CHK** J. JONES

DESCRIPTION MINI UNIVERSAL MATE-N-LOK™

SCALE 5:1 **SHEET** 1 OF 1 **REV** 1

DATE 24JUL2003 **BY** S. CARPENTER **CHK** J. JONES

