

Title of Change:	AR0237 Datasheet Update.	
Effective date:	14 February 2018	
Contact information:	Contact your local ON Semiconductor Sales Office or <Sonya.Yip@onsemi.com>	
Type of notification:	This Product Bulletin is for notification purposes only. ON Semiconductor will proceed with implementation of this change upon publication of this Product Bulletin.	
Change category:	<input type="checkbox"/> Wafer Fab Change <input type="checkbox"/> Assembly Change <input type="checkbox"/> Test Change <input checked="" type="checkbox"/> Other <u>Documentation</u>	
Change Sub-Category(s):	<input type="checkbox"/> Manufacturing Site Change/Addition <input type="checkbox"/> Material Change <input checked="" type="checkbox"/> Datasheet/Product Doc change <input type="checkbox"/> Manufacturing Process Change <input type="checkbox"/> Product specific change <input type="checkbox"/> Shipping/Packaging/Marking <input type="checkbox"/> Other: _____	
Sites Affected:	ON Semiconductor Sites: None	External Foundry/Subcon Sites: None

Description and Purpose:

AR0237 Datasheet updated to correct mistakes and update the package drawings to the latest revisions. These changes are the result of a documentation error only; there is no change to the product form, fit, or function.

AR0237 Datasheet Changes

- Updated, "Figure 5. 48-pin mPLCC Package HiSPi (Top Side View)", old figure showed bottom view

Old Figure 5

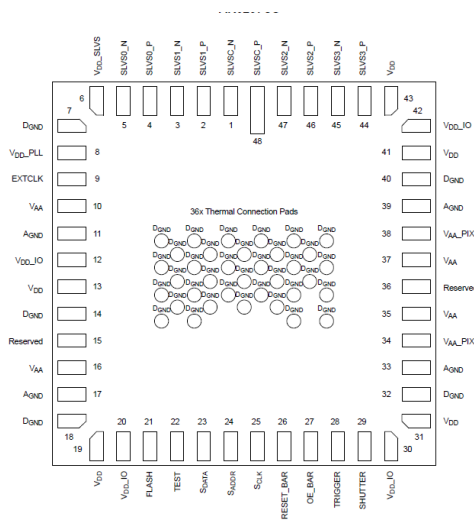


Figure 5. 48-pin mPLCC Package HiSPi (Top Side View)



New Figure 5

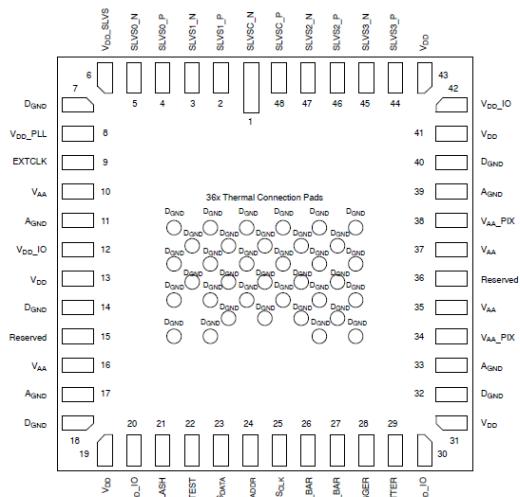


Figure 5. 48-pin mPLCC Package HiSPI (Top Side View)

2. Updated, "Figure 6. 48-pin mPLCC Package Parallel (Top Side View)", old figure showed bottom view

Old Figure 6

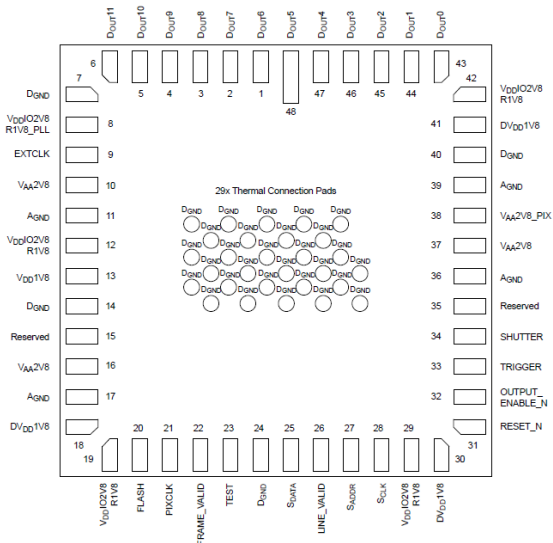


Figure 6. 48-pin mPLCC Package Parallel (Top Side View)



New Figure 6

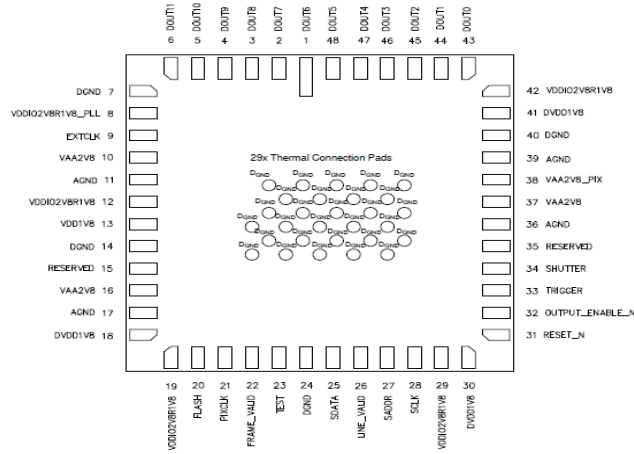


Figure 6. 48-pin mPLCC Package Parallel (Top Side View)

3. Changed Table 5 title from “Pin Descriptions, 48-pin MPLCC HiSPI” to “Pin Descriptions, 48-pin MPLCC Parallel”

Old Table Title

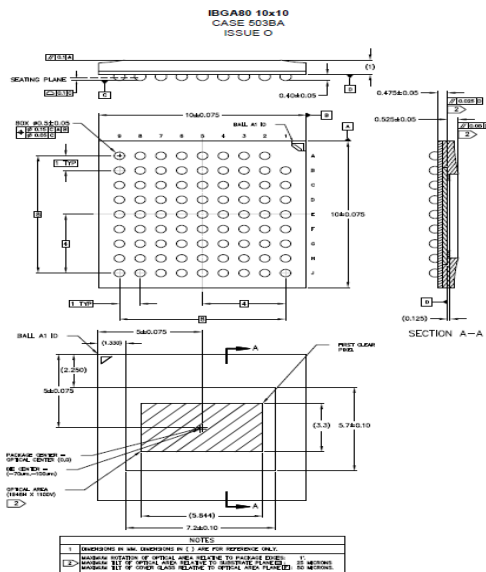
Table 5. PIN DESCRIPTIONS, 48-PIN MPLCC HISPI

New Table Title

Table 5. PIN DESCRIPTIONS, 48-PIN MPLCC PARALLEL

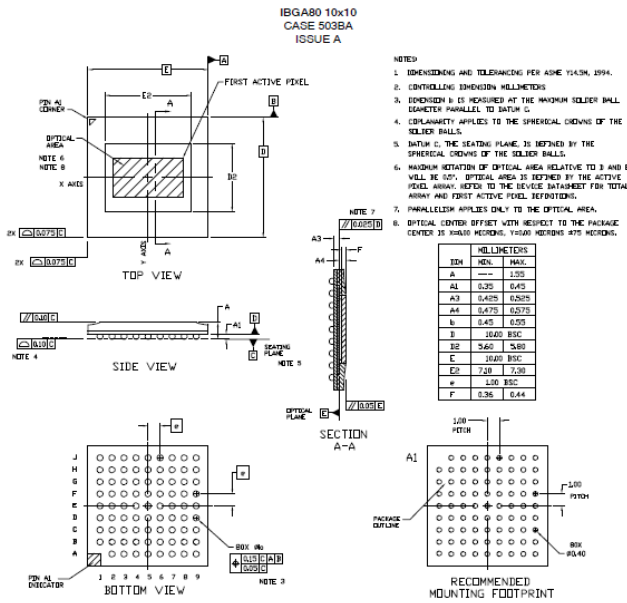
4. Updated “IBGA80 10x10, CASE 503BA to Issue B

Old CASE 503BA Issue 0



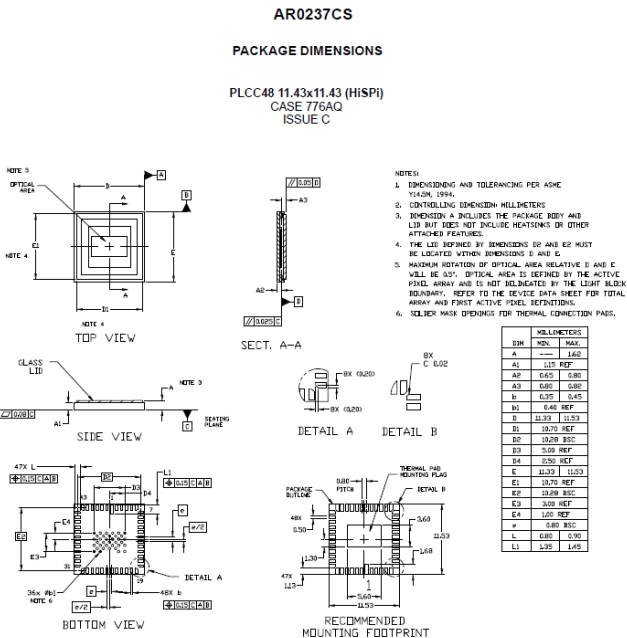


New CASE 503BA Issue B



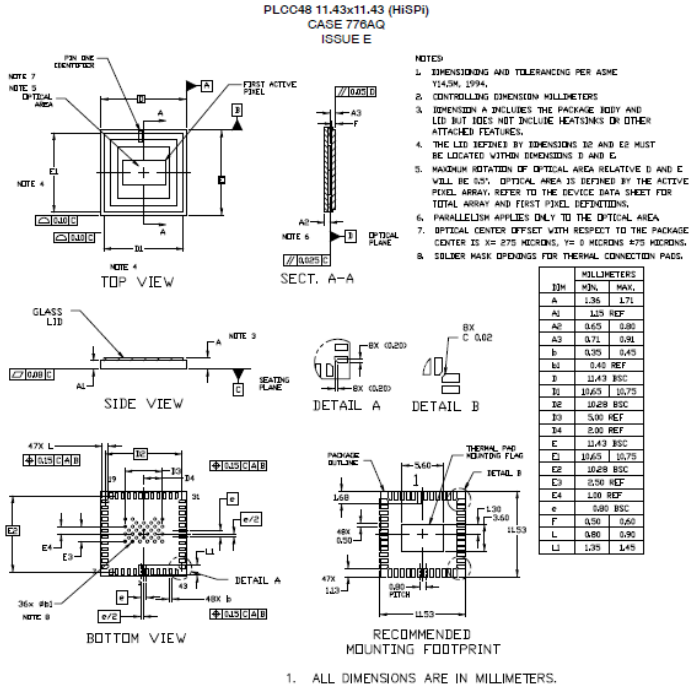
5. Updated "PLCC48 11.43x11.43 (HiSPi), CASE 776AQ to Issue E

Old CASE 776AQ Issue C



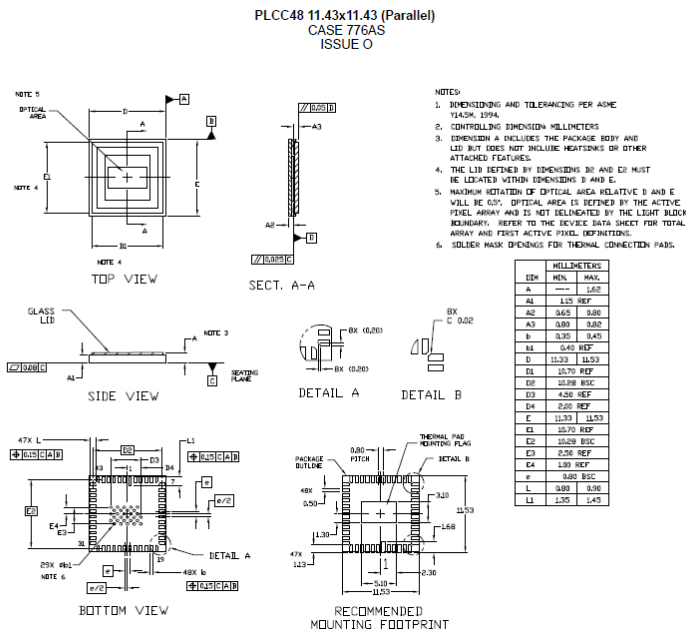


New CASE 776AQ Issue E



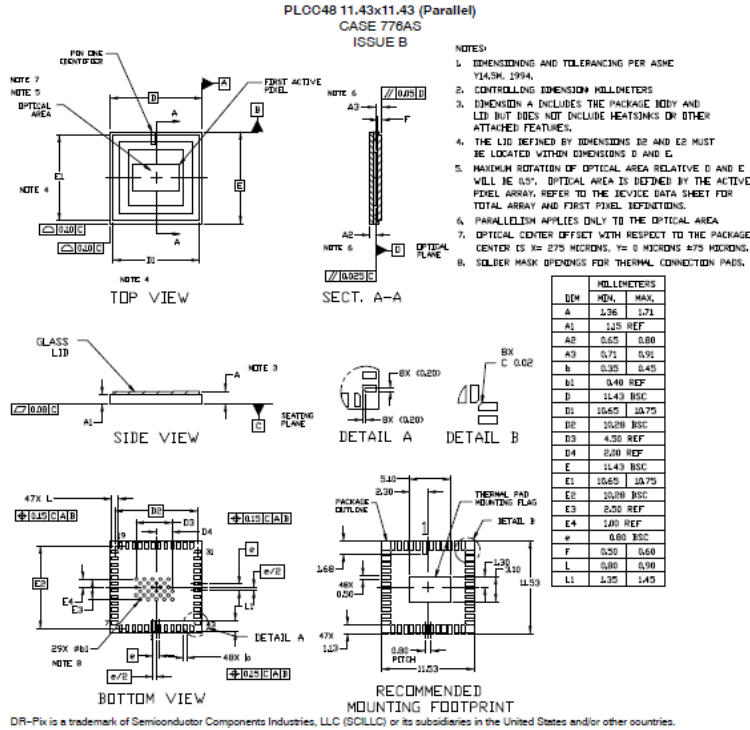
6. Updated "PLCC48 11.43x11.43 (Parallel), CASE 776AS to Issue B

Old CASE 776AS Issue 0





New CASE 776AS Issue B



List of Affected Standard Parts:

- AR0237C5SC00SUEA0-DR
- AR0237C5SC00SHRA0-DR
- AR0237C5SC00SPRA0-DR
- AR0237C5SC12SHRA0-DR
- AR0237C5SC12SPRA0-DR
- AR0237IRSH12SHRA0-DR-E
- AR0237IRSH12SPRA0-DR-E

Appendix A: Changed Products

D

Product	Customer Part Number
AR0237CSC00SHRA0-DR	
AR0237CSC00SPRA0-DR	
AR0237CSC00SUEA0-DR	
AR0237CSC12SHRA0-DR	
AR0237CSC12SPRA0-DR	