

THIS DRAWING IS UNPUBLISHED.

RELEASED FOR PUBLICATION

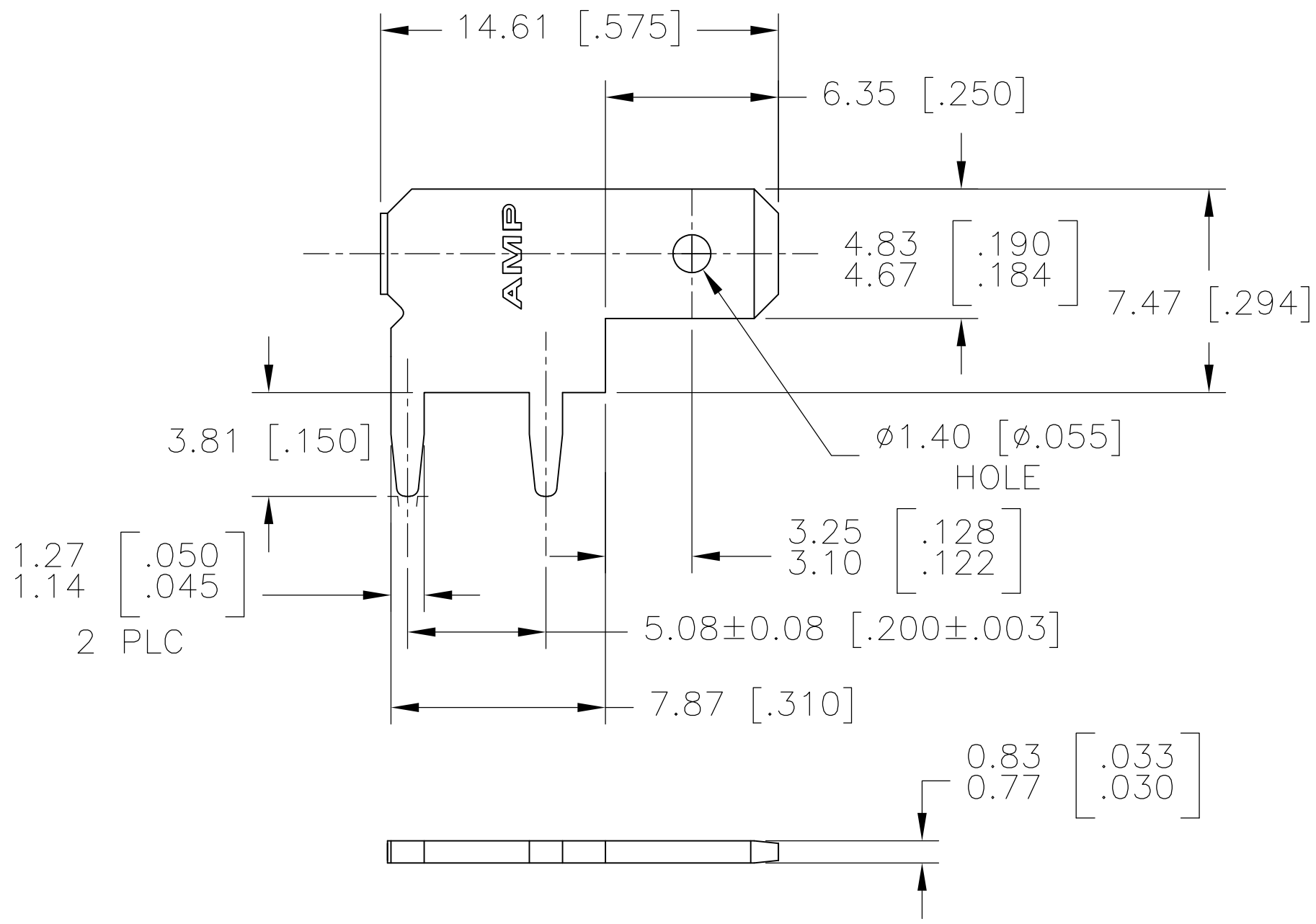
ALL RIGHTS RESERVED.

© COPYRIGHT - By -

LOC AF DIST 50

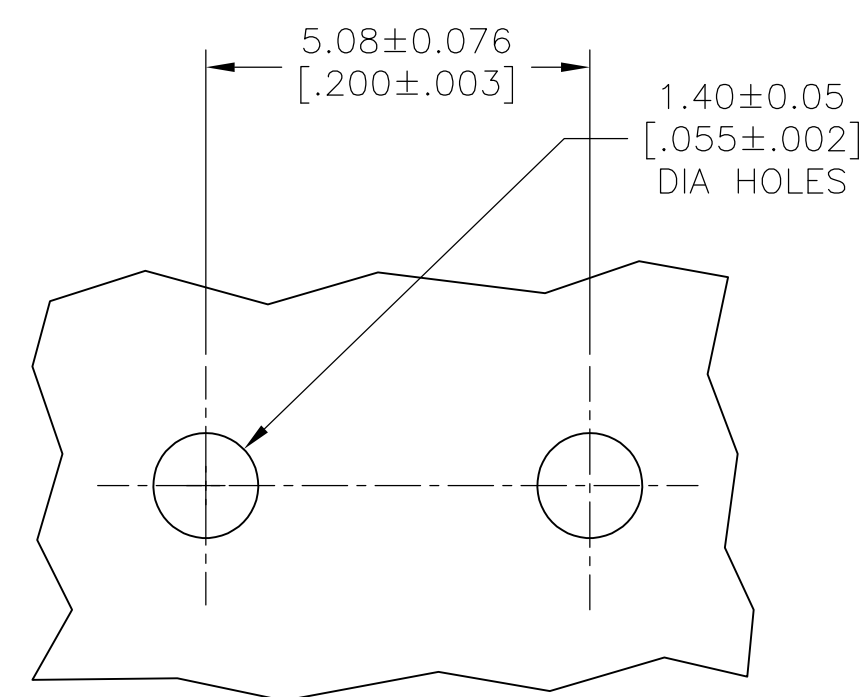
REVISIONS

P	LTR	DESCRIPTION	DATE	DWN	APVD
D		REVISED PER ECR-13-001204	02JUL13	KH	PD



1 SUPPLIED IN LOOSE PIECE AFTER PLATING.

2 0.00381 [.000150] MIN TIN OVER 0.00127 [.000050] MIN NICKEL.



P.C. BOARD HOLES

1217756-1
PART NO.

THIS DRAWING IS A CONTROLLED DOCUMENT.		DWN JR RUTH 13NOV01	STE TE Connectivity		
DIMENSIONS: mm [INCHES]		CHK N DEIBERT 13NOV01			
TOLERANCES UNLESS OTHERWISE SPECIFIED:		APVD N DEIBERT 13NOV01	NAME		
0 PLC ± -		PRODUCT SPEC	TAB, FASTON, 4.75 [.187] SERIES		
1 PLC ± -		APPLICATION SPEC	SIZE	CAGE CODE	DRAWING NO
2 PLC ± 0.25 [.010]		114-2115	A3	00779	C-1217756
3 PLC ± -		WEIGHT -	RESTRICTED TO -		
4 PLC ± -		CUSTOMER DRAWING	SCALE 5:1	SHEET 1 OF 1	REV D
ANGLES ± -					
FINISH					
MATERIAL BRASS					
2					