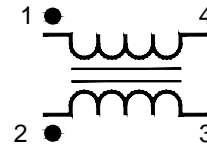
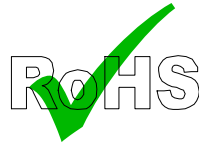
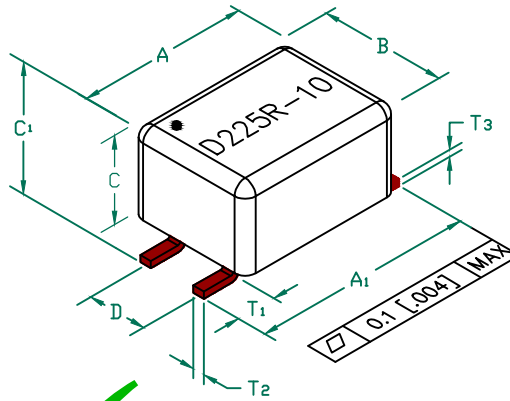


# CC2824D225R-10

ELECTRICAL SPECIFICATION @ 25°C  
OPERATING TEMPERATURE RANGE: 0°C TO +125°C

PARAMETER SYMBOL	TEST LEADS	CONDITIONS	REQUIREMENTS		
			MIN	TYP	MAX
Lp (μH)	1-4/2-3	@ 10KHz/ 10mV	1540	2200	3300
L LEAKAGE (μH)	1-4 (s' 2-3)	@ 10KHz/ 10mV		0.25	
TRP			1 : 1 +/- 5%		
DCR(Ω)	1-4/2-3			0.40	0.52
Hi-pot	wdg-wdg	(Vac) .5mA, 2sec.	750		
RATED CURRENT (mA)					500
RATED VOLTAGE (Vdc)					80



## PHYSICAL DIMENSIONS:

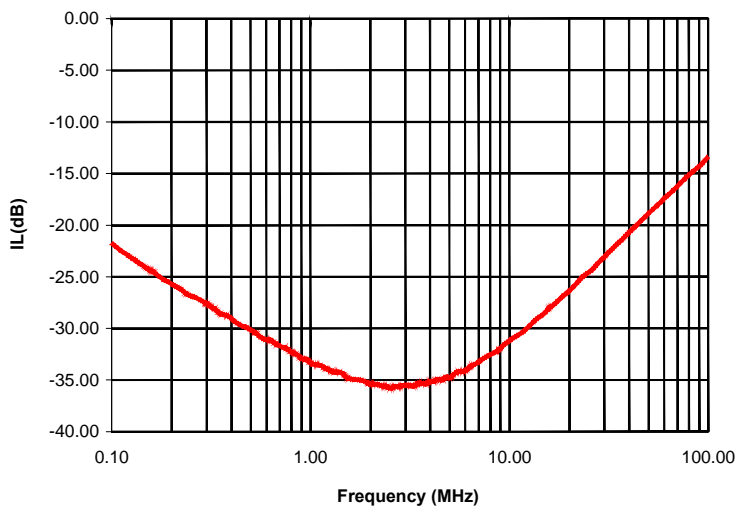
A	7.50 [ .295 ]	+	MAX.
A <sub>1</sub>	9.00 [ .354 ]	+	0.40 [ .016 ]
B	5.50 [ .217 ]	+	MAX.
C	3.80 [ .150 ]	+	MAX.
C <sub>1</sub>	4.90 [ .193 ]	+	MAX.
D	2.54 [ .100 ]	+	0.10 [ .004 ]
T <sub>1</sub>	1.75 [ .069 ]	+	TYP.
T <sub>2</sub>	0.50 [ .020 ]	+	0.10 [ .004 ]
T <sub>3</sub>	0.30 [ .012 ]	+	0.10 [ .004 ]

WEIGHT/1000 0.28 kgs [ .62 Lbs ]

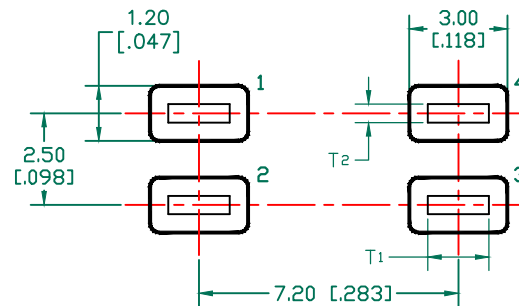
NOTES: UNLESS OTHERWISE SPECIFIED

1. TAPED AND REELED ON 13" REELS, 1500 PCS/REEL.
2. OPEN BOTTOM CONSTRUCTION.

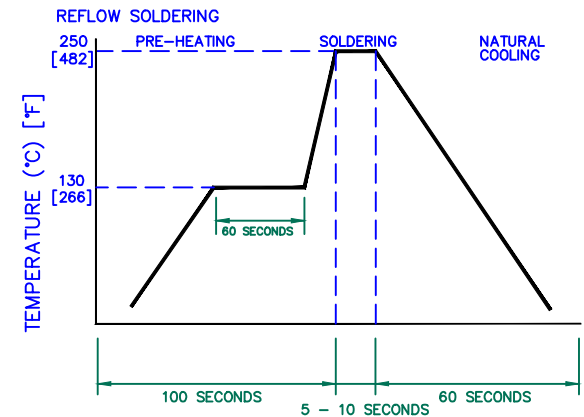
Typical Insertion Loss @ 50 ohm



## LAND PATTERNS FOR REFLOW SOLDERING



## RECOMMENDED SOLDERING CONDITIONS



DIMENSIONS ARE IN mm [INCHES].				This print is the property of Laird Tech. and is loaned in confidence subject to return upon request and with the understanding that no copies shall be made without the written consent of Laird Tech. All rights to design or invention are reserved.			
G	CHANGE MARKING	07/18/16	QIU	PROJECT/PART NUMBER: <b>CC2824D225R-10</b>	REV <b>G</b>	PART TYPE: <b>ASSEMBLY</b>	DRAWN BY: <b>JRK</b>
F	ADD RATING VOLTAGE	07/25/13	QIU				
E	CHANGE THE INDUCTANCE TEST VOLTAGE	03/11/10	JUN				
D	UPDATE COMPANY LOGO CHG T2 AND T3 PLACEMENT ON PART	2/11/08	JRK				
C	UPDATE COMPANY LOGO	05/08/07	JRK				
B	CHANGE T3 DIMENSION	07/26/05	JRK	DATE: 06/07/05	SCALE: NTS	SHEET: 1 of 1	
A	ORIGINAL DRAFT	06/07/05	JRK	CAD #	TOOL #		
REV	DESCRIPTION	DATE	INT	CC2824E513R-10-G			

