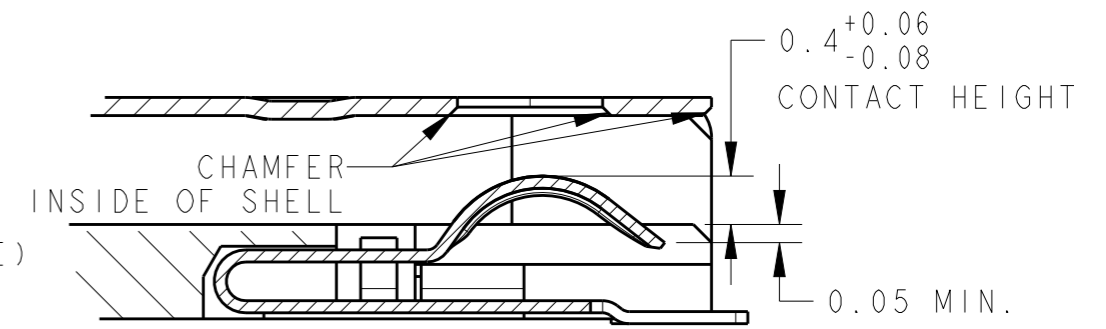
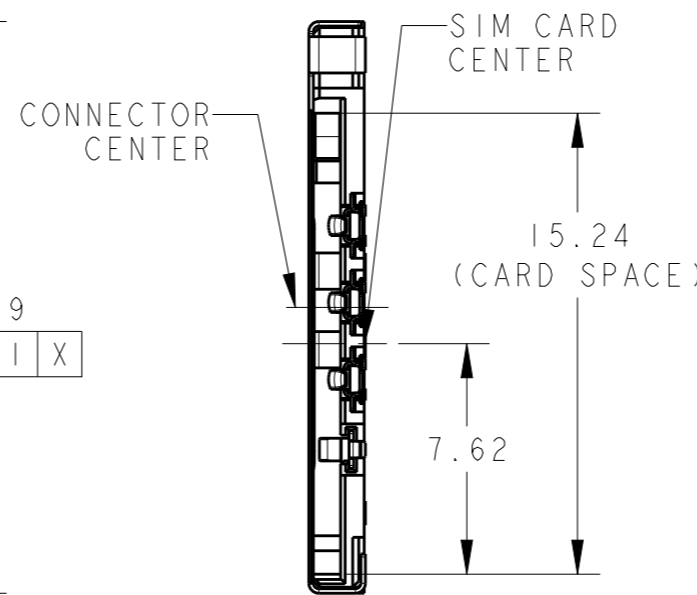
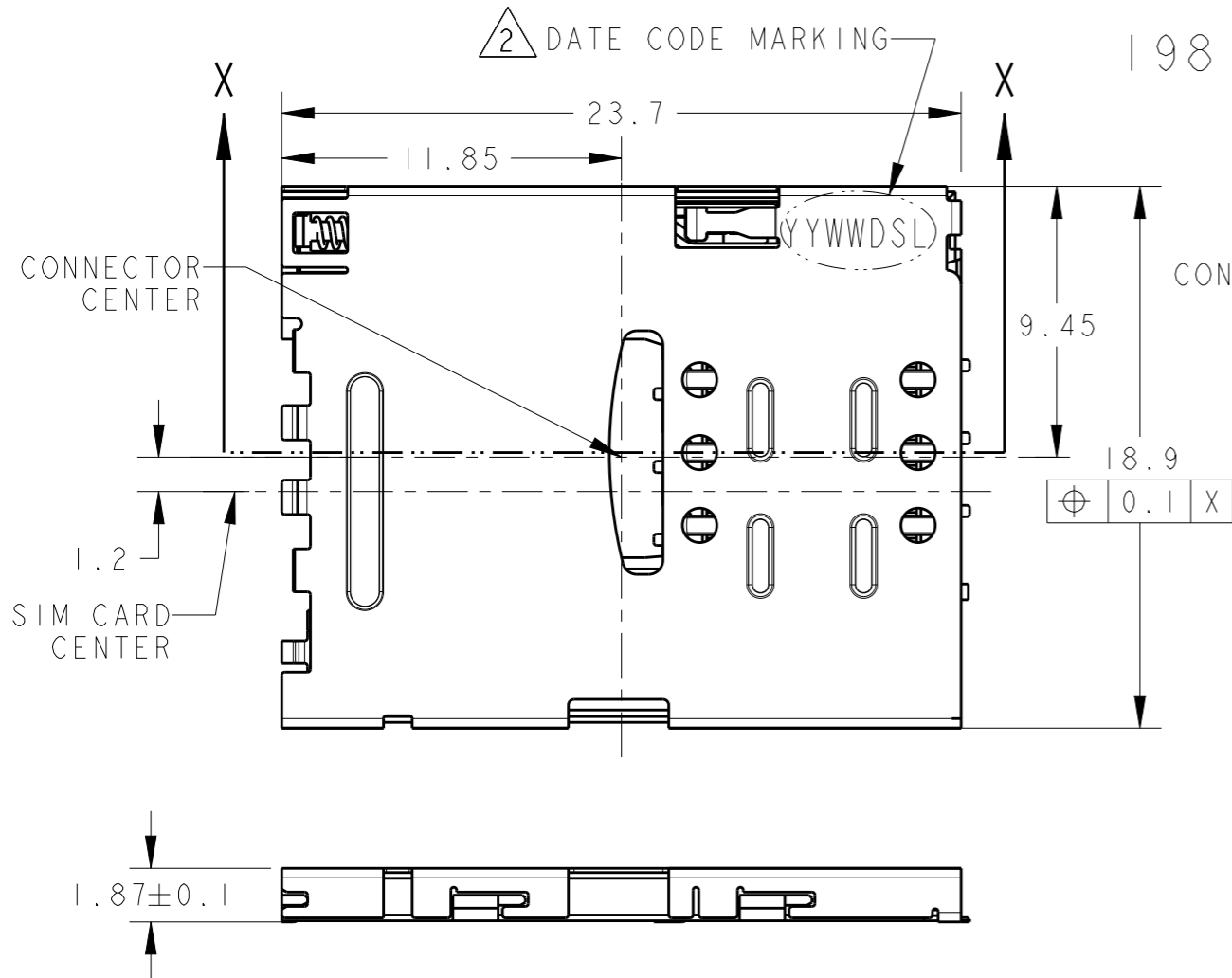


THIS DRAWING IS UNPUBLISHED. RELEASED FOR PUBLICATION 20071017
 © COPYRIGHT 2007 BY TYCO ELECTRONICS CORPORATION. ALL RIGHTS RESERVED.

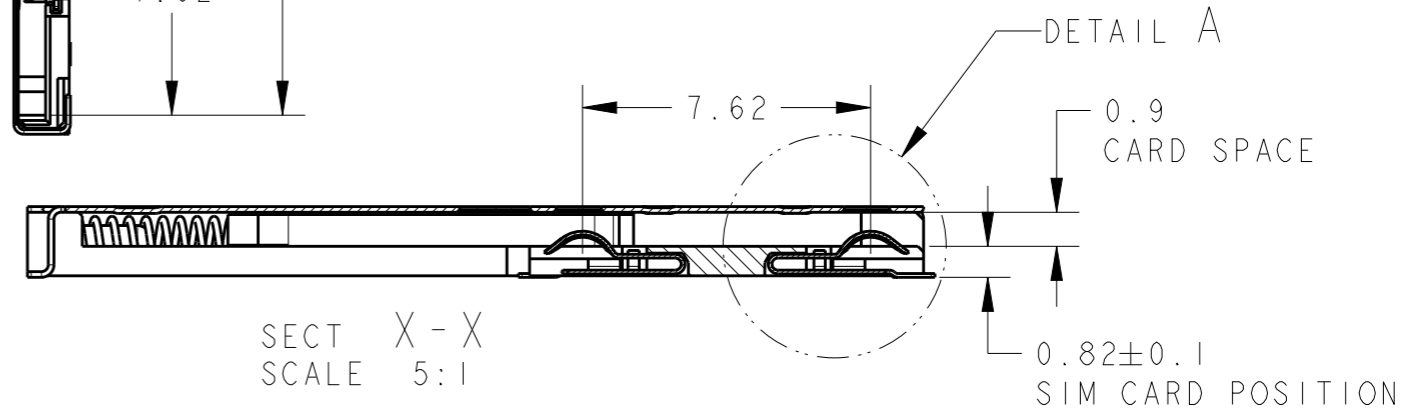
REVISIONS
 変更

P	LTR	DESCRIPTION	DATE	DWN	APVD
	DI	REVISED	27MAR2020	N.U	K.K

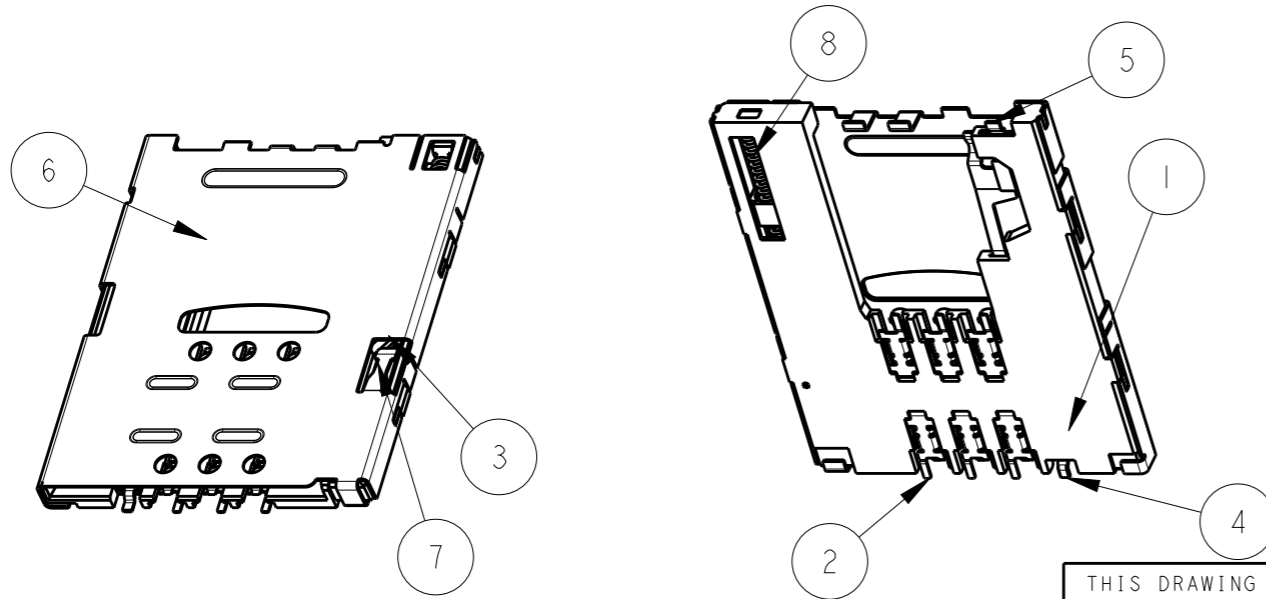
1981959-1; AS SHOWN



DETAIL A
 SCALE 16:1



SECT X-X
 SCALE 5:1



QTY	FINISH	MATERIAL	DESCRIPTION	ITEM
1	—	STEEL WIRE	COIL SPRING	8
1	—	STAINLESS	CAM ROD	7
1	ALL OVER Ni; 1um MIN SOLDERING AREA; MATTE TIN PLATING	COPPER ALLOY	SHELL	6
1	ALL OVER Ni; 1um MIN CONTACT AREA; Au 0.05um MIN SOLDERING AREA; TIN PLATING	COPPER ALLOY	SWITCH B	5
1	ALL OVER Ni; 1um MIN CONTACT AREA; Au 0.05um MIN SOLDERING AREA; TIN PLATING	COPPER ALLOY	SWITCH A	4
1	COLOR; BLACK	LCP	SLIDER	3
6	ALL OVER Ni; 1um MIN CONTACT AREA; Au 0.4um MIN SOLDERING AREA; Au 0.05um MIN	COPPER ALLOY	CONTACT	2
1	COLOR; BLACK	LCP	HOUSING	1

1. CONNECTOR INITIAL COPLANARITY; 0.1mmMAX.

2. MARK DATE CODE

THIS DRAWING IS A CONTROLLED DOCUMENT.

DWN 02NOV2007 C.OHASHI
 CHK 02NOV2007 Y.NAKAZAWA
 APVD 08NOV2007 T.FUTATSUGI

NAME 名称 SIM CONNECTOR
 PUSH-PUSH TYPE
 HI.87 WITH SWITCH

PRODUCT SPEC 製品規格 108-78454
 APPLICATION SPEC 取付適用規格

WEIGHT 1.2g

Customer Drawing

SCALE 尺度 4:1 SHEET 1 OF 5 REV DI

THIS DRAWING IS UNPUBLISHED.

RELEASED FOR PUBLICATION

20071017

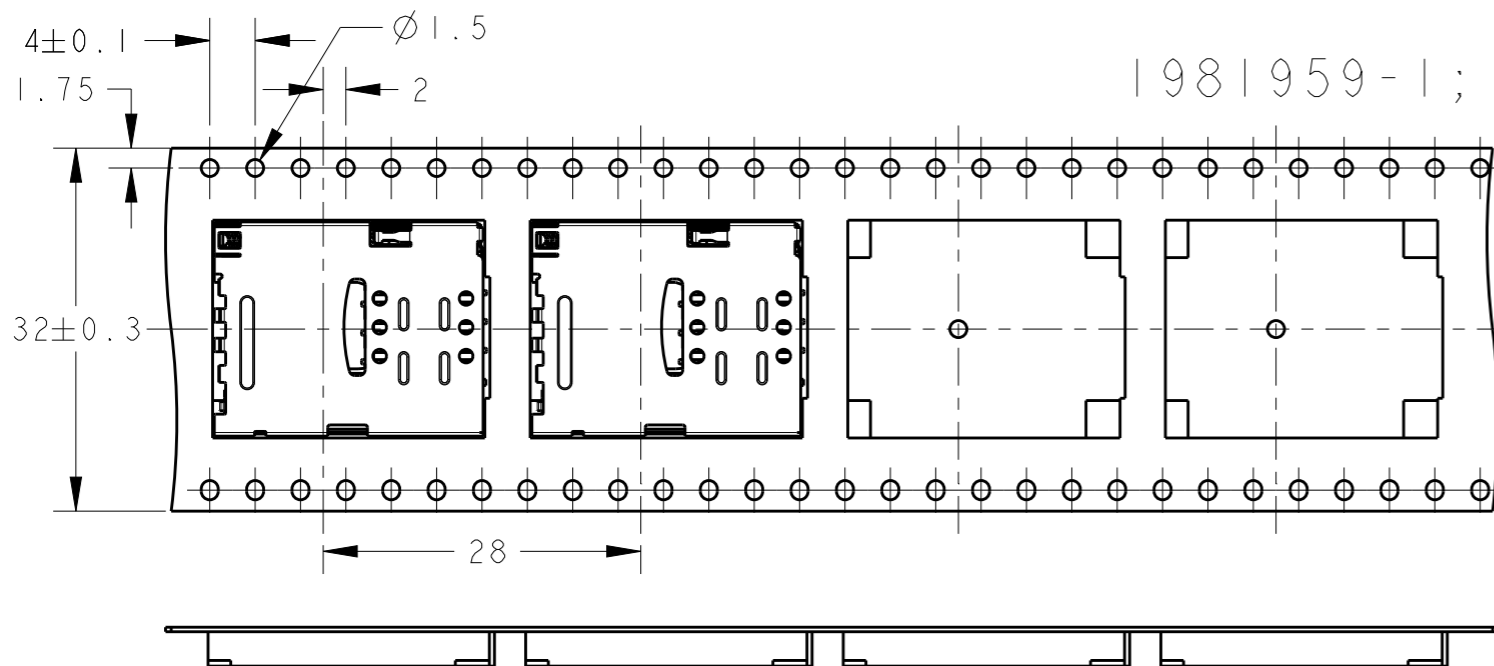
© COPYRIGHT 2007 BY TYCO ELECTRONICS CORPORATION. ALL RIGHTS RESERVED.

REVISIONS

変更

P	LTR	DESCRIPTION	DATE	DWN	APVD

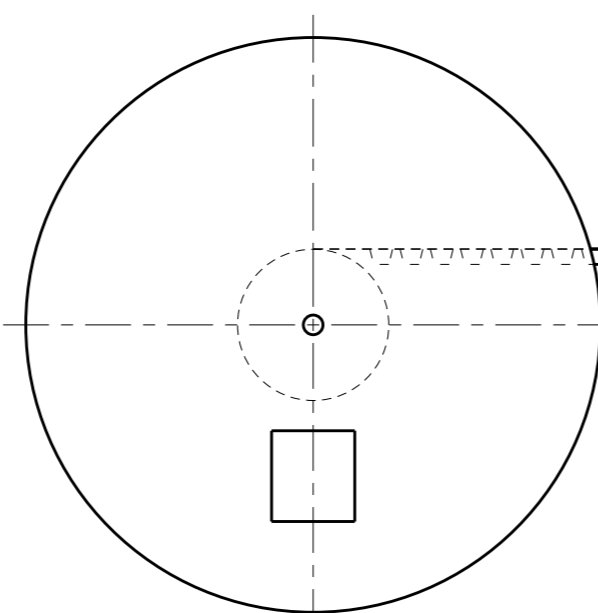
1981959-1; AS SHOWN



FRANGE CORE DIA
 $\phi 100 \pm 1$

$\phi 380 \pm 1$
REEL DIA.

32.4^{+2}_0
38.4 MAX
REEL WIDTH



300 REF
カバーテープリーダ部
WEEDING THE COVER TAPE

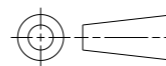
剥離角度 $165^\circ \sim 180^\circ$
PEELING ANGLE
剥離強度; $0.1 \sim 1.3$ N MAX (300mm/min)
PEELING STRENGTH

製品装填部
WITH PRODUCT CHARGE
800個/1リール
800EA/1REEL

空部 7~10穴
WITHOUT CHARGE
7~10HOLES

THIS DRAWING IS A CONTROLLED DOCUMENT.

DIMENSIONS:
単位: ㎜



MATERIAL
材料

TOLERANCES UNLESS OTHERWISE SPECIFIED:

- 一般公差 ± 0.2
- 0 PLC \pm
- 1 PLC \pm
- 2 PLC \pm
- 3 PLC \pm
- 4 PLC \pm
- ANGLES \pm
- FINISH 仕上

DWN
CHK
APVD
PRODUCT SPEC 製品規格
APPLICATION SPEC 取付適用規格
WEIGHT
Customer Drawing

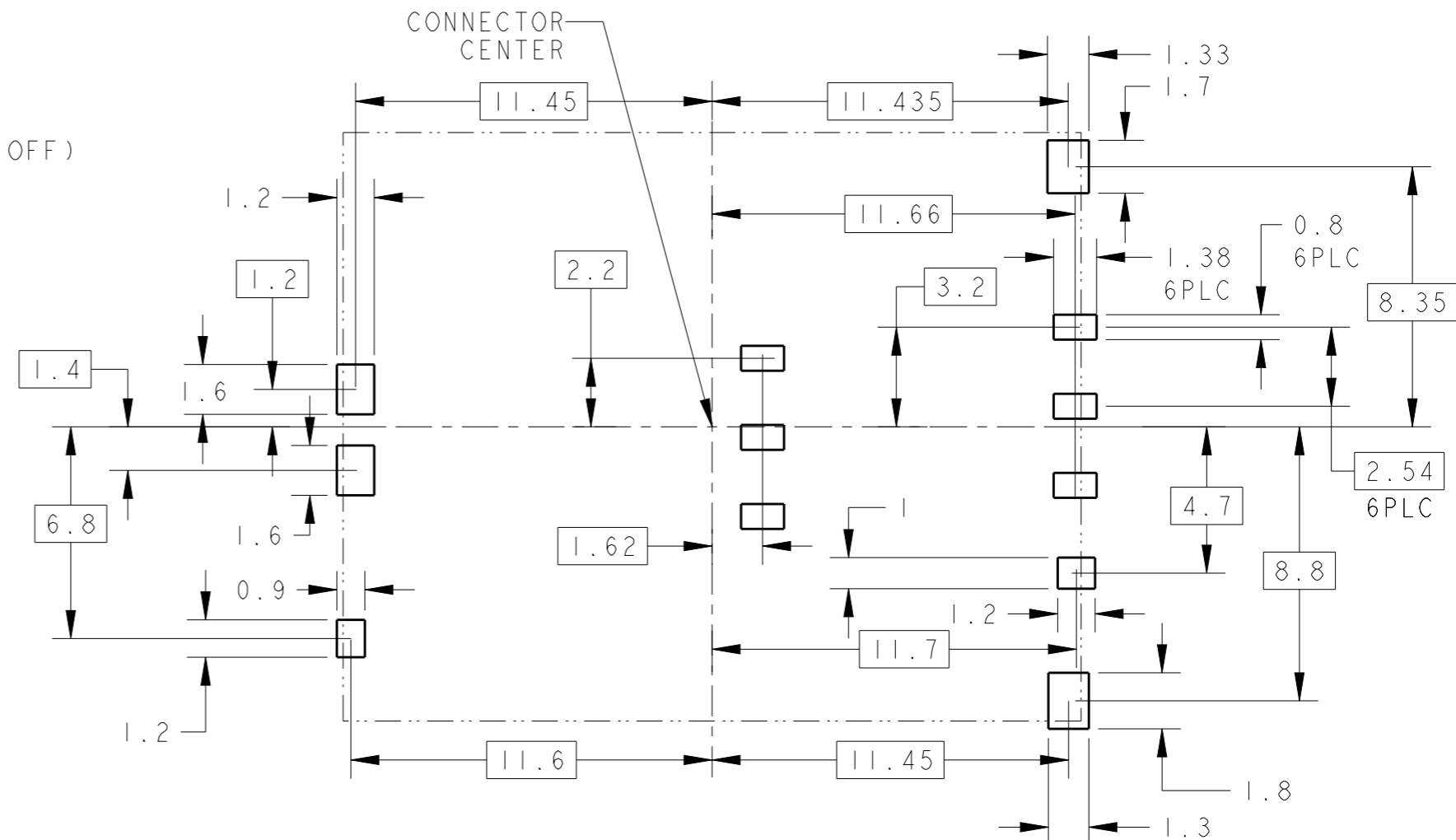
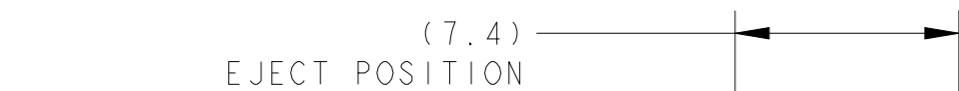
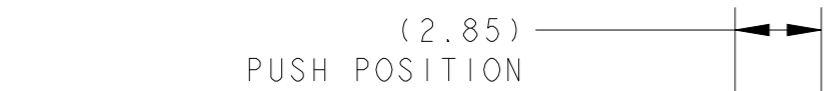
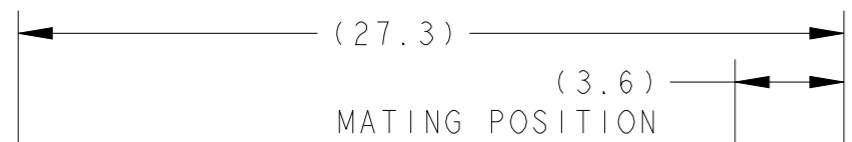
STE TE Connectivity

NAME 名称				SIM CONNECTOR PUSH-PUSH TYPE HI.87 WITH SWITCH	
SIZE	CAGE CODE	DRAWING NO	RESTRICTED TO		
A3	00779	C-1981959	-		
SCALE 尺度		SHEET		OF	REV
4:1		2		5	D1

REVISIONS				
P	LTR	DESCRIPTION	DATE	APVD


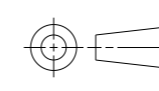
ONLY FOR ENGINEERING EVALUATION

CARD POSITION



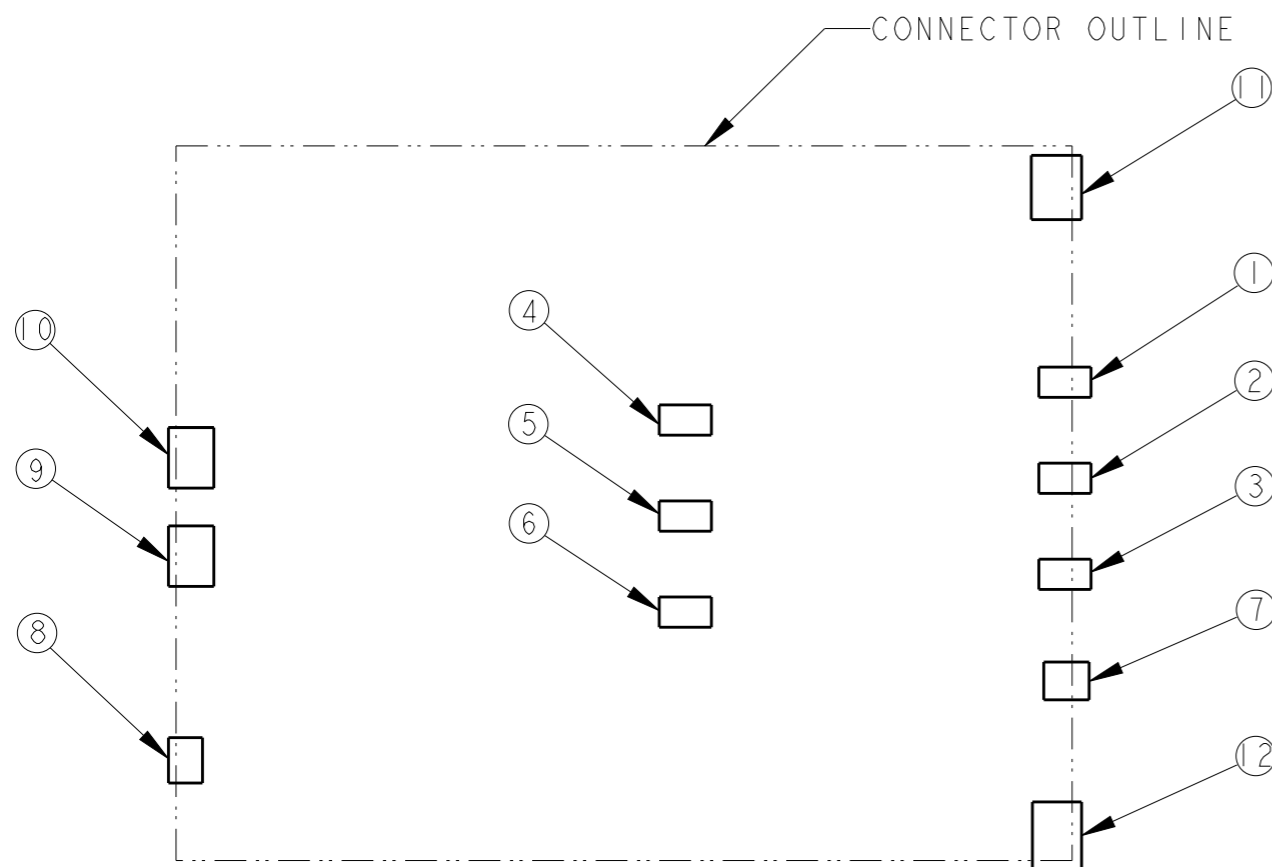
REFERENCE PCB LAYOUT
GENERAL TOLERANCE: ±0.05mm
SCALE 5:1

- 1 THIS CONNECTOR DOES NOT HAVE LOCK
- 2 RECOMMENDED SOLDERING THICKNESS; 100μm MIN.
RECOMMENDED SOLDERING AREA: 100% OF REFERENCE LAYOUT PATTERN.

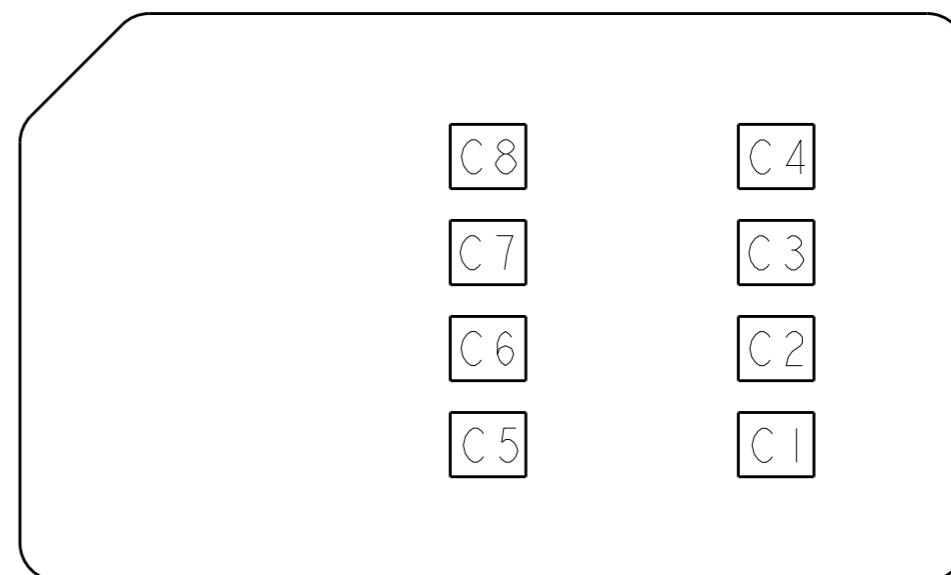
THIS DRAWING IS A CONTROLLED DOCUMENT.		DWN	 TE Connectivity		
DIMENSIONS: 單位: 耗 mm		CHK			
	TOLERANCES UNLESS OTHERWISE SPECIFIED:	APVD	NAME 名称		
	一般公差 ±0.12	PRODUCT SPEC 製品規格	SIM CONNECTOR PUSH-PUSH TYPE HI.87 WITH SWITCH		
	0 PLC ±	APPLICATION SPEC 取付適用規格	SIZE	CAGE CODE	DRAWING NO 番号
	1 PLC ±	WEIGHT	A3	00779	G-1981959
2 PLC ±	FINISH 仕上	Customer Drawing	SCALE 尺度	SHEET 張数	REV
3 PLC ±			4:1	3 OF 5	D1
4 PLC ±					
ANGLES ±					

P	LTR	DESCRIPTION	DATE	DWN	APVD

ONLY FOR ENGINEERING EVALUATION



PCB LAYOUT(REFERENCE)
(VIEWED FROM CONNECTOR MOUNT SIDE)


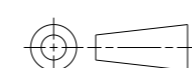


SIM CARD PAD LAYOUT

SIM CARD PIN ASSIGNMENT

PIN NO.	NAME
C1	Vcc
C2	RST
C3	CLK
C4	RESERVED
C5	GND
C6	Vpp
C7	I/O
C8	RESERVED

CONNECTOR PIN ASSIGNMENT		
NO.	PIN NAME	DESCRIPTION
①	C1	Vcc OF SIM
②	C2	RST OF SIM
③	C3	CLK OF SIM
④	C5	GND OF SIM
⑤	C6	Vpp OF SIM
⑥	C7	I/O OF SIM
⑦	SWA	DETECT SWITCH
⑧	SWB	DETECT SWITCH
⑨ ~ ⑫	GND	SHELL GROUND

THIS DRAWING IS A CONTROLLED DOCUMENT.		DWN	 TE Connectivity	
DIMENSIONS: 単位: 耗 mm		CHK		
TOLERANCES UNLESS OTHERWISE SPECIFIED: 一般公差 ±0.12 0-PLC ± 1-PLC ± 2-PLC ± 3-PLC ± 4-PLC ± ANGLES ±		APVD	NAME 名称 SIM CONNECTOR PUSH-PUSH TYPE HI.87 WITH SWITCH	
		PRODUCT SPEC 製品規格	SIZE CAGE CODE DRAWING NO 番号 A300779 C-1981959	
MATERIAL 材料		APPLICATION SPEC 取付適用規格	RESTRICTED TO	
FINISH 仕上		WEIGHT	SCALE 5:1 SHEET 4 OF 5 REV D1	
Customer Drawing				

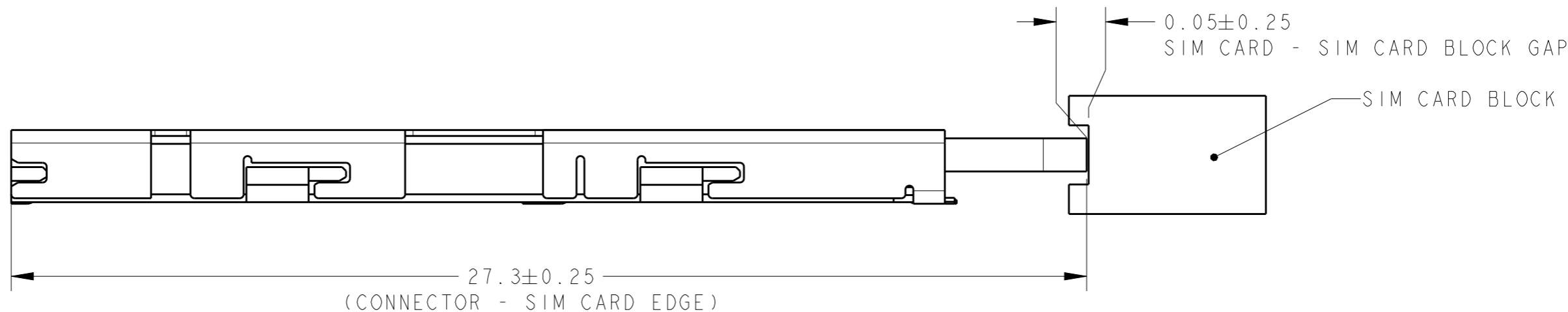
REVISIONS

変更

P	LTR	DESCRIPTION	DATE	DWN	APVD

FOR ENGINEERING EVALUATION

*THERE IS NO SIM CARD LOCK IN THIS CONNECTOR.
 PLEASE HOLD THE CARD EDGE AS SHOWN IN THE FIGURE BELOW AT TIME OF USE.



THIS DRAWING IS A CONTROLLED DOCUMENT.		DWN	TE Connectivity			
DIMENSIONS: 単位: 耗 mm		CHK				
TOLERANCES UNLESS OTHERWISE SPECIFIED: 一般公差 ±0.25 0-PLC ± 1-PLC ± 2-PLC ± 3-PLC ± 4-PLC ± ANGLES ±		APVD	NAME 名称 SIM CONNECTOR PUSH-PUSH TYPE HI.87 WITH SWITCH			
MATERIAL 材料		PRODUCT SPEC 製品規格	SIZE	CAGE CODE	DRAWING NO 番号	RESTRICTED TO
FINISH 仕上		APPLICATION SPEC 取付適用規格	A3	00779	G-1981959	-
		WEIGHT	Customer Drawing		SCALE 尺度 8:1	SHEET 5 OF 5
					REV D1	