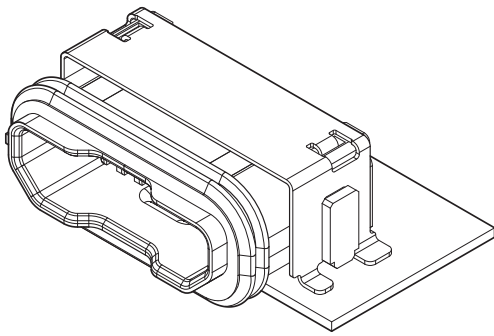


UB CONNECTOR Micro USB

USB (Universal Serial Bus) standard-compliant connector (Waterproof)



This connector is a waterproof interface connector for cellular phones and mobile devices compliant with Micro USB (USB 2.0) standard and has water ingress protection with an IPX7 rating per IEC 60529 (grade 7 per JIS C 0920).

* Water ingress protection with an IPX7 rating per IEC 60529 (grade 7 per JIS C 0920): Leave at a depth of 1 m for 30 minutes.

- Water ingress protection with an IPX7 rating per IEC 60529 (grade 7 per JIS C 0920)
- 10,000 cycle durability
- Laser-welded for maximum durability and reliability
- Right angle SMT configuration

Specifications

- Current rating :
 - When using only signal line
 - Signal line (when using the contacts from No.2 to 4.) : 1.0 A/Line AC/DC
 - When using power supply line
 - Power supply line (when using the contacts No.1 and 5.) : 1.8 A/Line AC/DC
 - Signal line (when using the contacts from No.2 to 4.) : 0.5 A/Line AC/DC
- Voltage rating: 30 V AC/DC
- Temperature range: -30°C to +85°C (including temperature rise in applying electrical current)
- Contact resistance: Initial value/ 30 mΩ max. After environmental tests/ 50 mΩ max. (variation from initial value)
- Insulation resistance: 1,000 MΩ min.
- Withstanding voltage: There shall be no breakdown or flashover while applying 100 VAC for one minute.

* In using the products, refer to "Handling Precautions for Terminals and Connectors" described on our website (Technical documents of Product information page).

* RoHS2 compliance

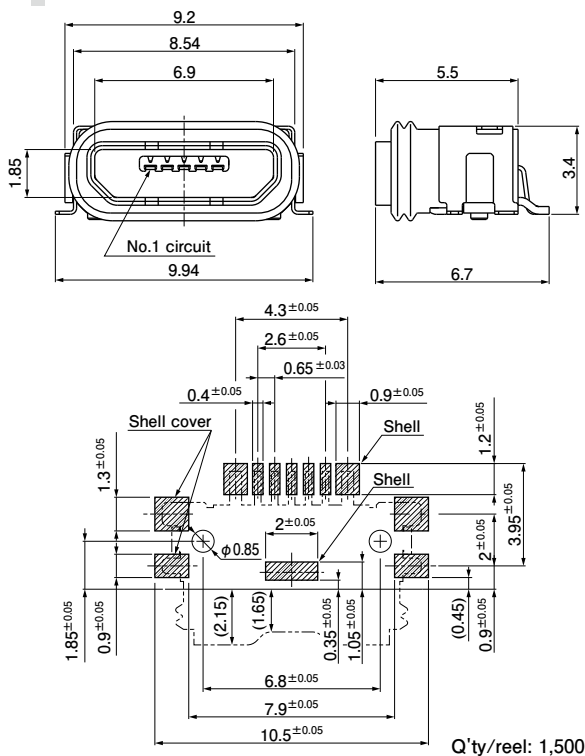
* Dimensional unit: mm

* Contact JST for details.

Receptacle

Standard B Type

TID No.: 60002098



Model No.	Material and Surface finish, etc.
UB-MC5BR3-SDWP604-4S	Contact: Copper alloy, nickel-undercoated, gold-plated
	Housing: Heat resisting resin, UL94V-0, black
	Shell: SUS, nickel-undercoated, tin-plated
	Shell cover: Copper alloy, nickel-undercoated, tin-plated
	Cap: Heat resisting resin, UL94V-0, black
	Outer seal: Silicone rubber, black
	Sealant: Cured resin