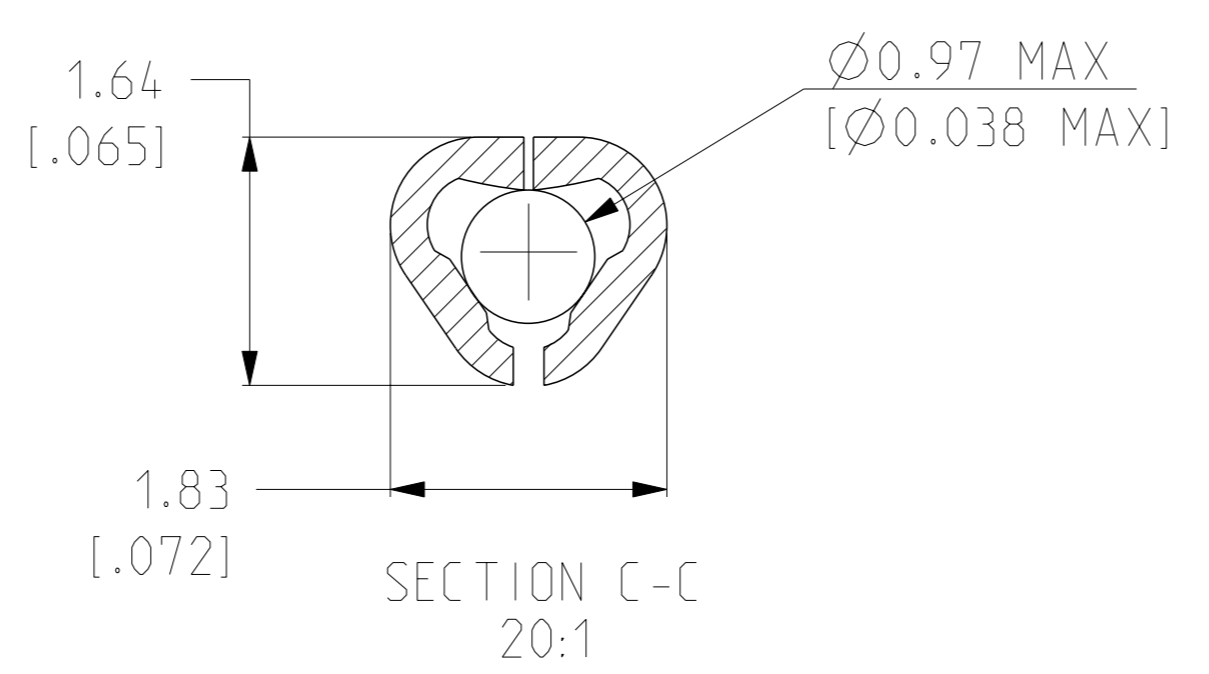
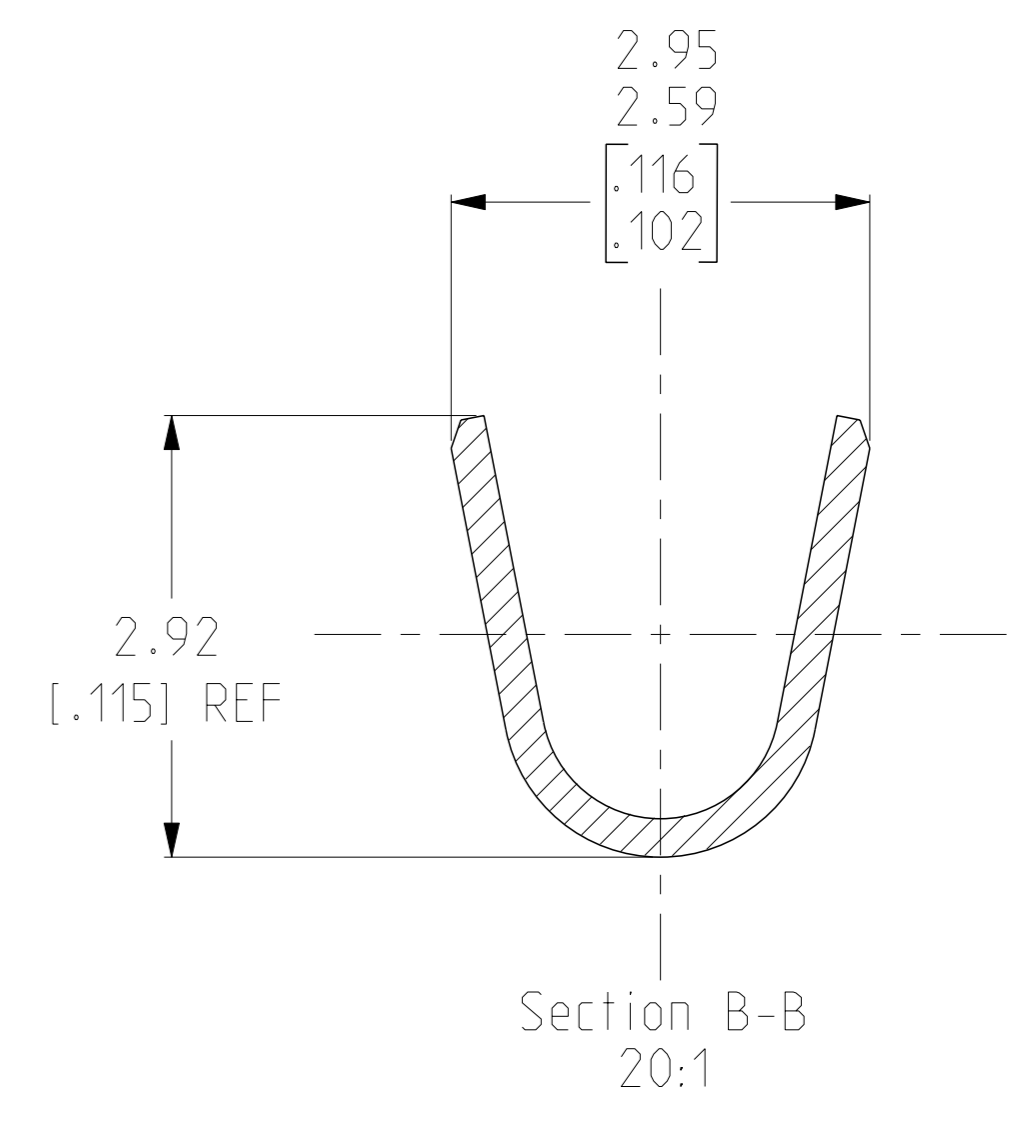
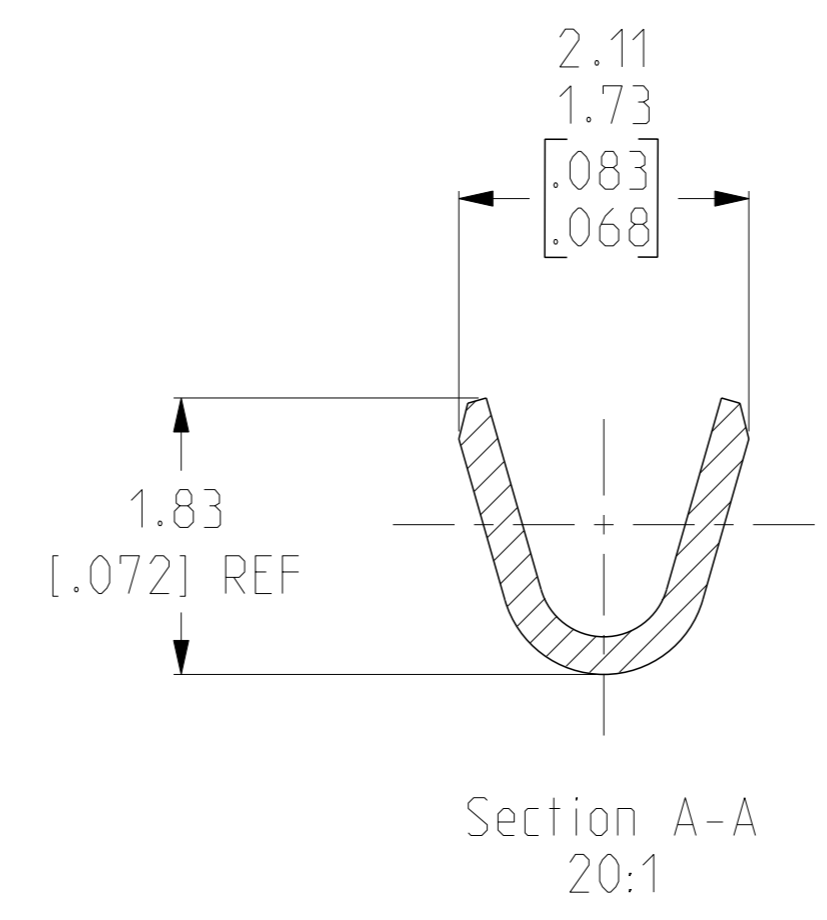
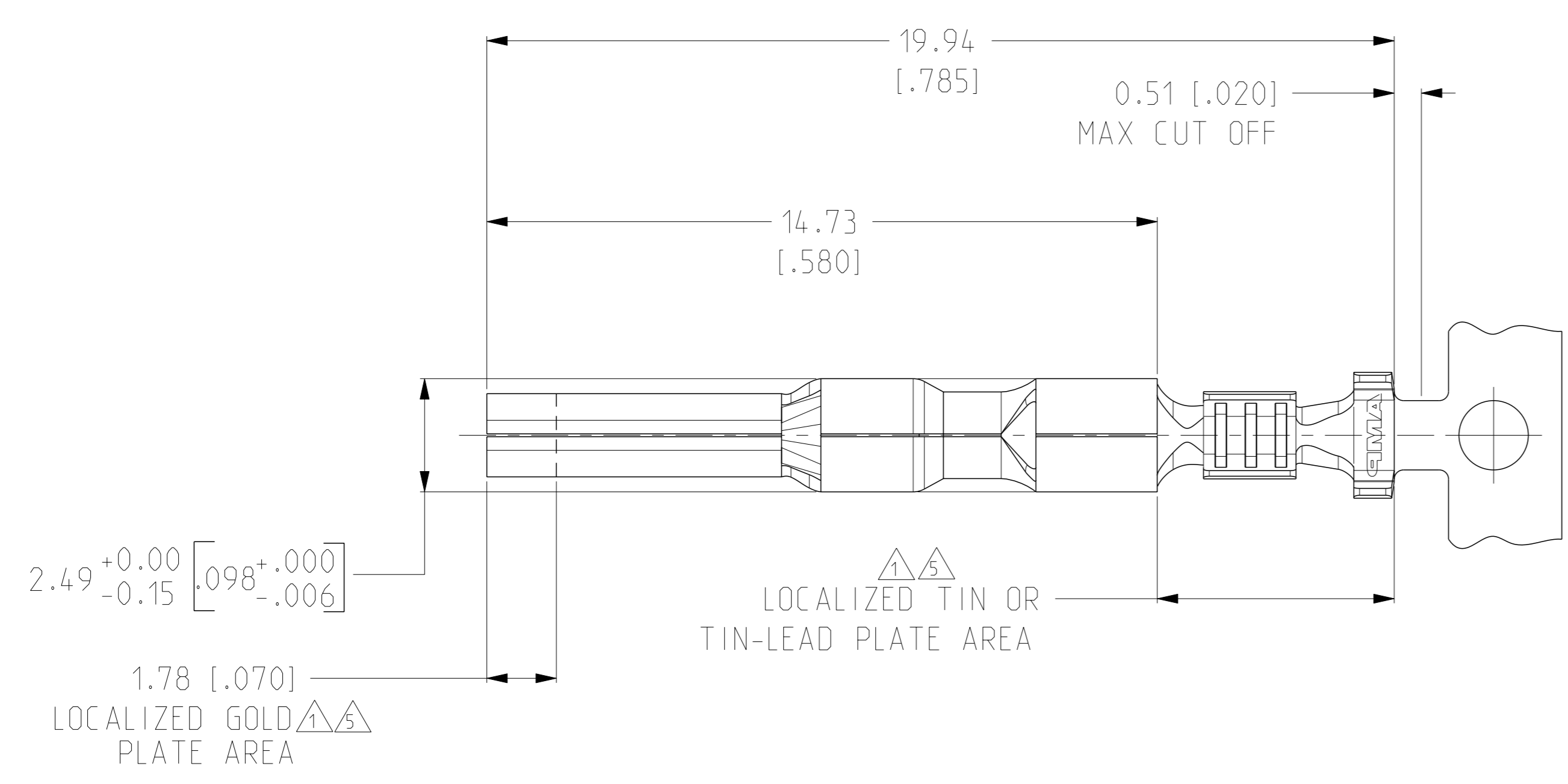
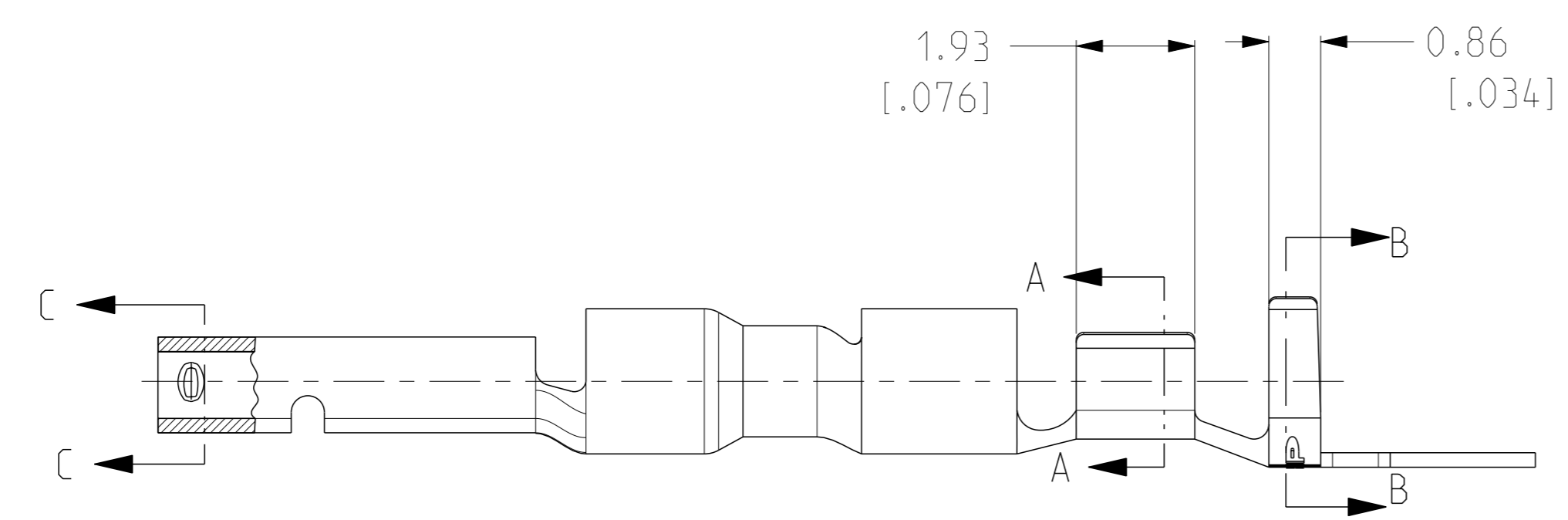


REVISIONS				
#	DATE	DESCRIPTION	OWN	APVD
H	14NOV2018	REDRAWN PER ECR-17-012999	BDA	SG
H1	13AUG2020	REDRAWN PER ECR-20-100305	PJ	VS

- 1 0.00076 [.000030] MIN GOLD IN LOCALIZED GOLD PLATE AREA AND 0.00254 [.000100] MIN BRIGHT TIN-LEAD IN LOCALIZED TIN-LEAD PLATE AREA OVER 0.0013 [.000050] MIN NICKEL.
- 2 WIRE RANGE: 0.12-0.4MM² (26-22 AWG).
- 3 INSULATION RANGE: 1.19-1.75 [.047-.069] DIA.
- 4 DIMENSIONS IN BRACKETS ARE IN INCHES.
- 5 0.00076 [.000030] MIN GOLD IN LOCALIZED GOLD PLATE AREA AND 0.00254 [.000100] MIN MATTE TIN IN LOCALIZED TIN PLATE AREA OVER 0.0013 [.000050] MIN NICKEL.
- 6 ROHS COMPLIANT



6	5	0.25 [.010] BRASS	1-794219-0
	5	0.25 [.010] BRASS	794219-3
		PRE TIN	794219-1
		FINISH	MATERIAL
			PART NUMBER

DIMENSIONS:		TOLERANCES UNLESS OTHERWISE SPECIFIED:		APVD		NAME	
mm	[INCHES]	0 PLC	±	04MAR2005	K. WHITAKER	SOCKET, MINI UNIVERSAL MATE-N-LOK™2	
		1 PLC	±	04MAR2005	C. JONES		
		2 PLC	±				
		3 PLC	±0.30 [.012]				
		4 PLC	±				
		ANGLES	*				
MATERIAL	SEE TABLE	FINISH	SEE TABLE	WEIGHT	-	SIZE	A1
				CAGE CODE	00779	DRAWING NO	794219
				CUSTOMER DRAWING		SCALE	5:1