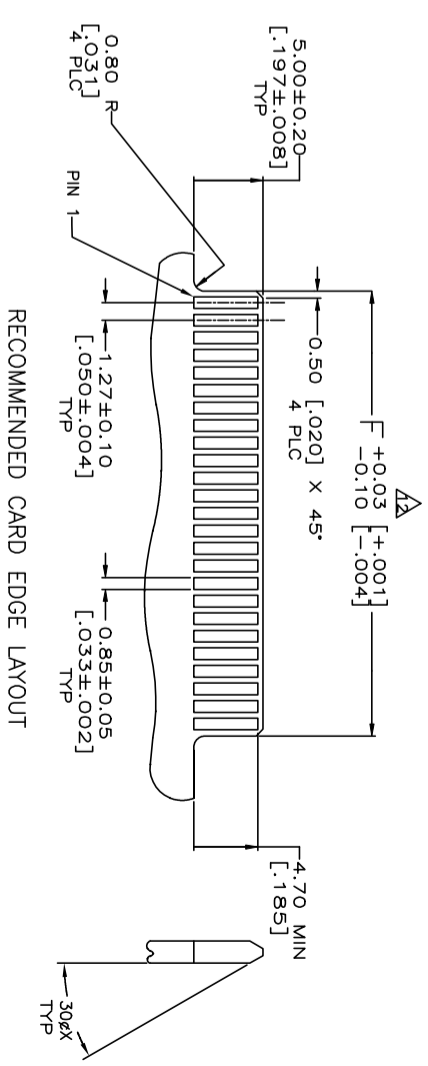
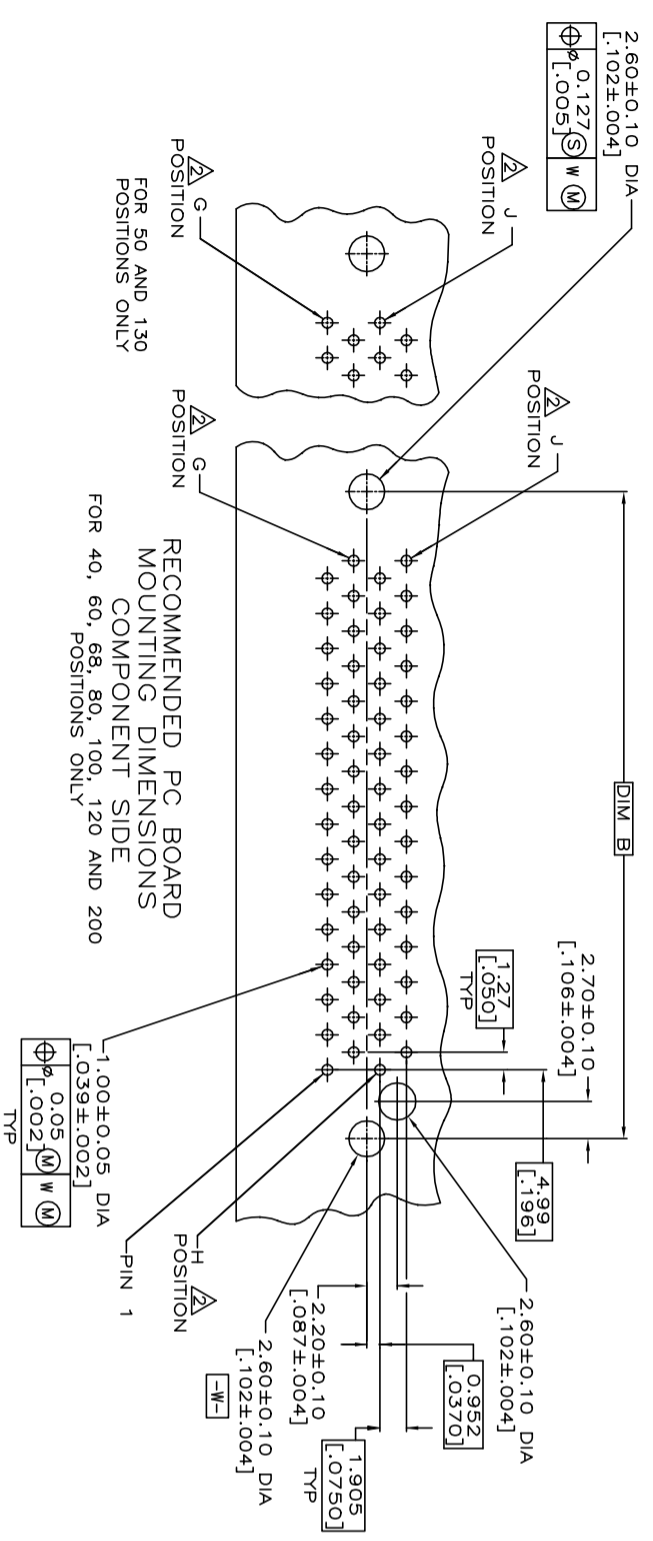


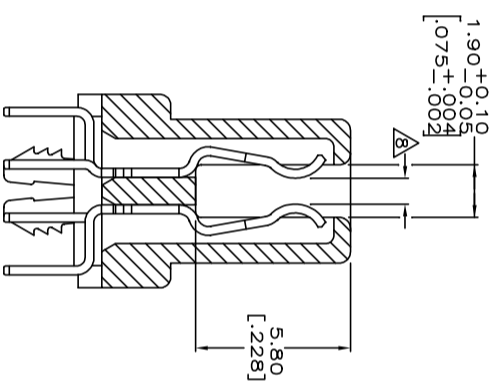
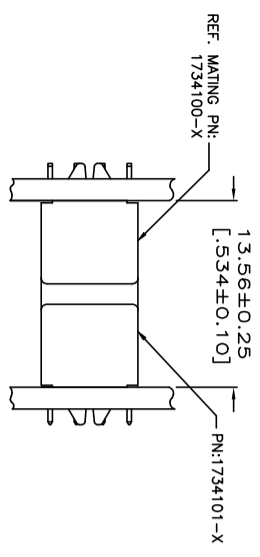
LOC	DIST	P	LTR	DESCRIPTION	DATE	DWN	APVD
DW				SEE SHEET 1.			

REVISIONS

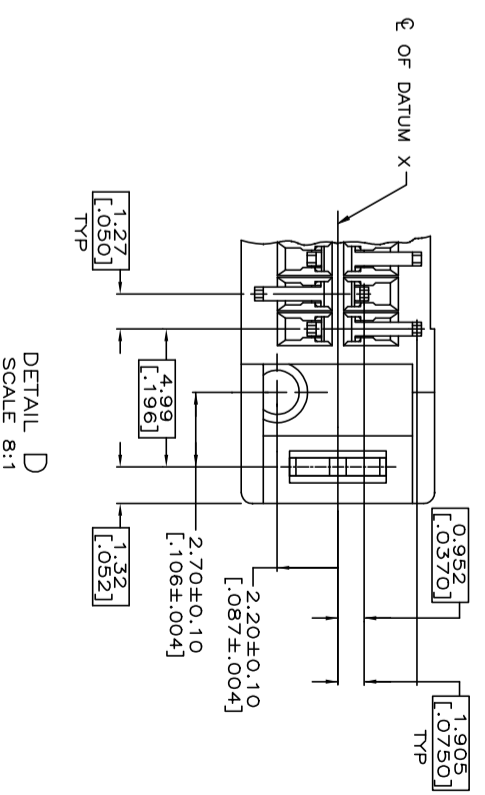
REV	DESCRIPTION	DATE	DWN	APVD
1	SEE SHEET 1.			



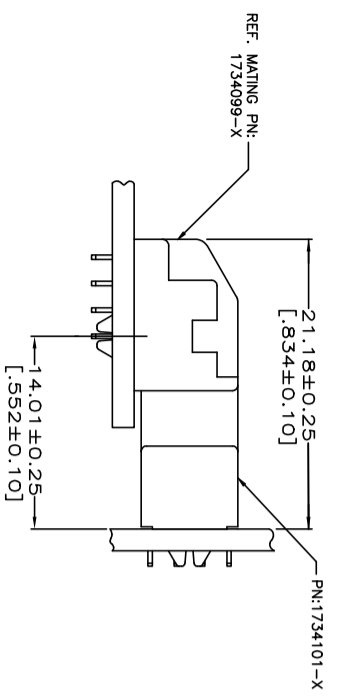
VERTICAL RECEPTACLE ASSEMBLY MATED TO VERTICAL PLUG ASSEMBLY



SECTION E-E
SCALE 8:1



VERTICAL RECEPTACLE ASSEMBLY MATED TO VERTICAL PLUG ASSEMBLY



THIS DRAWING IS A CONTROLLED DOCUMENT.

DIMENSIONS:	TOLERANCES UNLESS OTHERWISE SPECIFIED:
MM	0 PLC ±.05
	1 PLC ±.05
	2 PLC ±.05
	3 PLC ±.05
	4 PLC ±.05
	ANGLES ±.05
MATERIAL	FINISH

DWN	CHK	APVD	NAME
			TE Connectivity
			RECEPTACLE ASSEMBLY, VERTICAL, BOARD-TO-BOARD, CHAMP.050, SERIES 1,
			SIZE
			A3
			CAGE CODE
			1734101
			DRAWING NO
			1734101
			RESTRICTED TO
			SCALE
			2 OF 4
			SHEET
			REV E2

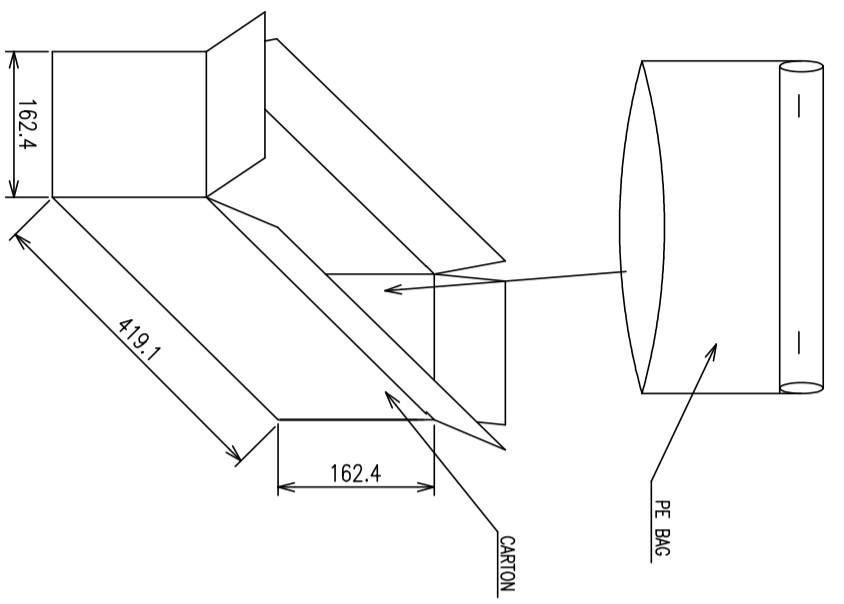
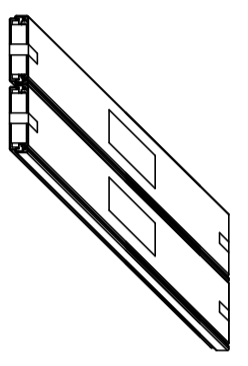
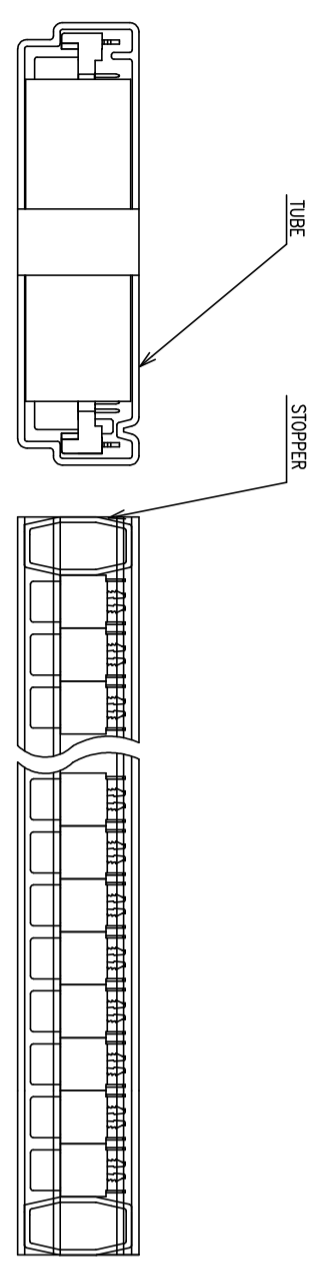
THIS DRAWING IS UNPUBLISHED. RELEASED FOR PUBLICATION AUG. 2006.

© COPYRIGHT BY TYCO ELECTRONICS CORPORATION. ALL RIGHTS RESERVED.

Loc DW DIST

REVISIONS

P	LTR	DESCRIPTION	DATE	DMN	APVD
		SEE SHEET 1.			



OBsolete	G.W./CARTON (KG)	N.W./CARTON (KG)	PCS/TUBE	TUBES/CARTON	QUANTITY/CARTON (PCS)	PART NUMBER	POS.
OBsolete	4.21	2.89	54	8	432	5-1734101-3	
						3-1734101-3	120
						5-1734101-2	
						3-1734101-2	
						1-1734101-2	
						5-1734101-1	
						3-1734101-1	
						1-1734101-1	100
						5-1734101-0	
						3-1734101-0	
						1-1734101-0	
						5-1734101-8	
						3-1734101-8	
						1-1734101-8	80
						4-1734101-8	
						6-1734101-8	
						1734101-8	
						4-1734101-7	
						6-1734101-7	68
						1734101-7	
						7-1734101-7	
						4-1734101-7	
						6-1734101-6	60
						1734101-6	
						2-1734101-7	
						5-1734101-7	
						3-1734101-7	
						1-1734101-7	50
						4-1734101-5	
						6-1734101-5	
						1734101-5	
						4-1734101-4	
						6-1734101-4	40
						1734101-4	
						4-1734101-3	
						6-1734101-3	30
						1734101-3	

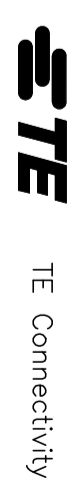
THIS DRAWING IS A CONTROLLED DOCUMENT.

DIMENSIONS:	TOLERANCES UNLESS OTHERWISE SPECIFIED:
MM	0 PLC ± .1
	1 PLC ± .1
	2 PLC ± .1
	3 PLC ± .1
	4 PRC ANGLES ± .1



DMN	CHK	APVD	PRODUCT SPEC	QUALIFICATION TEST REPORT	WEIGHT

MATERIAL



TE Connectivity

RECEPTACLE ASSEMBLY, VERTICAL, BOARD-TO-BOARD, CHAMP.050, SERIES 1,

NAME	SIZE	CAGE CODE	DRAWING NO	RESTRICTED TO
A3	00779	1734101		

CUSTOMER DRAWING

SCALE	SHEET	REV
	3 OF 4	2

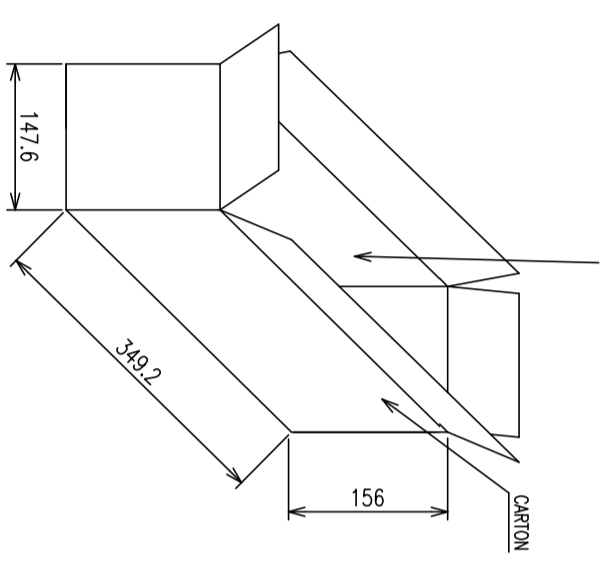
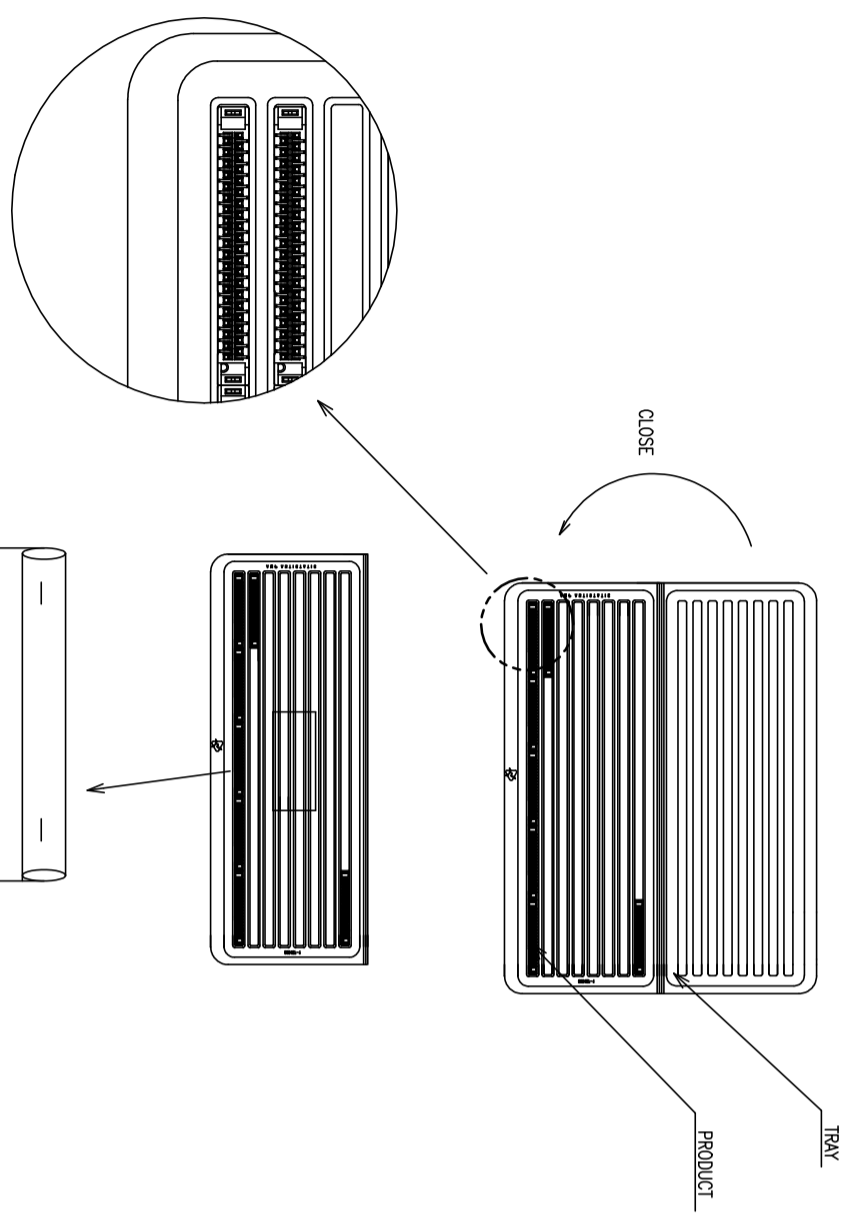
THIS DRAWING IS UNPUBLISHED.
 © COPYRIGHT - BY TYCO ELECTRONICS CORPORATION. ALL RIGHTS RESERVED.

RELEASED FOR PUBLICATION
 AUG. 2006.

Loc DW
 DIST

REVISIONS

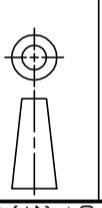
P	LTR	DESCRIPTION	DATE	DWN	APVD
		SEE SHEET 1.			



DESCRIPTION	G.W./CARTON (KG)	N.W./CARTON (KG)	PCS/TRAY	TRAYS/CARTON	QUANTITY/CARTON (PCS)	PART NUMBER	POS.
OBSOLETE	2.69	1.71	16	10	160	5-1734101-6 3-1734101-6 1-1734101-6 5-1734101-5 3-1734101-5 1-1734101-5	200
OBSOLETE	2.37	1.39	16	10	160	5-1734101-4 3-1734101-4 1-1734101-4	160
OBSOLETE	2.48	1.50	32	10	320	4-1734101-9 6-1734101-9 1734101-9	80

THIS DRAWING IS A CONTROLLED DOCUMENT.

DIMENSIONS:	MM	TOLERANCES UNLESS OTHERWISE SPECIFIED:
0	PLC	±
1	PLC	±
2	PLC	±
3	PLC	±
4	PLC ANGLES	±



TE Connectivity

RECEPTACLE ASSEMBLY,
 VERTICAL, BOARD-TO-BOARD,
 CHAMP.050, SERIES 1,

DMN	CHK	APVD	PRODUCT SPEC	QUALIFICATION TEST REPORT	WEIGHT

NAME	SIZE	CAGE CODE	DRAWING NO	RESTRICTED TO
	A3	00779	1734101	

CUSTOMER DRAWING