



[Maxim > Design Support > Technical Documents > Application Notes > A/D and D/A Conversion/Sampling Circuits > APP 3741](#)
[Maxim > Design Support > Technical Documents > Application Notes > Amplifier and Comparator Circuits > APP 3741](#)
[Maxim > Design Support > Technical Documents > Application Notes > Battery Management > APP 3741](#)

Keywords: low voltage, voltage regulator, data converter, op amp, current monitor, comparator, microprocessor supervisor, uP, voltage reference, transceiver, RTC, real time clock, RS232, RS-232, RS485, RS-485, USB, digipot, DAC, DAC

APPLICATION NOTE 3741

Analog ICs for Low Voltage Systems

By: Roger Griswold
Mar 23, 2006

Abstract: This article about low-voltage ICs discusses many types of low-voltage ICs, including voltage regulators, data converters, op amps and current monitors, comparators, microprocessor supervisors, voltage references, analog switches, and interface transceivers. It also present information on power savings and how to manage issues related to low-voltage operation.

Introduction

Low voltages are most appropriate for use in systems where size, weight, and power consumption are especially critical such as PDAs, cell phones, and other battery-operated portable equipment. Low voltages also benefit line-powered systems because the lower power dissipation associated with lower voltage operation allows the use of smaller power supplies, heat-sinks, and fans.

Low-voltage ICs are available in many of Maxim's product families including op amps, comparators, microprocessor supervisors, interface, data converters, analog switches and multiplexers, voltage references, DC-DC converters, digital potentiometers, and timing components such as real-time clocks.

This discussion covers many of the analog IC families mentioned above, the power savings inherent in their operation, and how to handle some of the issues associated with low-voltage operation. It also presents methods for generating the lower voltages from a 5V supply. **Table 1** presents a selection of Maxim's 1.8V, 2.5V, 3.0V, and 3.3V integrated circuits.

Table 1. A Selection of Maxim's Low-Voltage Parts

Category	1.8V	2.5V	3V	3.3V
µP Supervisors	MAX6326	MAX6742	MAX6745	MAX6745
A/D Converters	MAX1122	MAX1462	MAX1115	MAX1144
Analog Switches	MAX4695	MAX4644	MAX4653	MAX4592
Charge-Pump Voltage Converters	—	MAX619	MAX1673	MAX1730
Inductor-Based, Step-Up Regulators	MAX1687	MAX1706	MAX1678	MAX1709
Inductor-Based, Step-Down Regulators	MAX1928	MAX1928	MAX1921	MAX1921
Comparators, Fast	LMX331	MAX997	MAX997	MAX997

Comparators, Low Current	MAX9020	MAX9020	MAX9020	MAX9020
Comparators, Low Offset	MAX966	MAX997	MAX997	MAX997
D/A Converters	MAX5522	MAX5523	MAX5811	MAX5355
Digital Pots	—	DS4301	MAX5408	MAX5408
Linear Regulators	MAX1589	MAX1818	MAX1589	MAX1818
Multiplexers	MAX4638	MAX4638	MAX4639	MAX4701
Op Amps, Fast	MAX4291	MAX410	MAX4489	MAX4489
Op Amps, Low Current	MAX4036	MAX4036	MAX4036	MAX4036
Op Amps, Low Offset	MAX480	MAX4236A	MAX4238	MAX4238
Real-Time Clocks	DS1375	DS1375	DS1375	DS1375
References	MAX6018A	MAX6029	MAX6029	MAX6029
RS-232	MAX218	MAX3381E	MAX3322E	MAX3232E
RS-485	—	MAX3471	MAX3471	MAX3076E
USB	MAX3453	MAX3453	MAX3453	MAX3453

Power Savings from Low-Voltage Operation

The power saved by reducing a system supply voltage from 5V to a lower value can be dramatic. For resistive and capacitive loads, power saved is proportional to the voltage squared. For constant-current loads such as references and op amps, the savings are linear. For constant-power loads such as hard-disk drives, the switch to low voltage does not save power, but requires the device to operate at a lower input voltage. **Table 2** summarizes the power savings offered by lower voltage systems as compared to 5V systems.

Table 2. Power Savings Compared to 5V When Using Lower Voltages

Load Type	Power-Savings Formula	Power Savings Compared to 5V (%)			
		1.8V Operation	2.5V Operation	3V Operation	3.3V Operation
Resistive	$(1 - (V / 5)^2) \times 100$	87	75	64	56
Capacitive	$(1 - (V / 5)^2) \times 100$	87	75	64	56
Constant Current	$(V / 5) \times 100$	64	50	40	34

Voltage Regulation

General Information About Voltage Regulators

Maxim has scores of regulators that generate low voltage or convert low voltages to other levels. They include low-dropout linear regulators, switched-capacitor charge-pump converters, and inductor-based switching regulators.

Low dropout linear regulators (LDOs) are simple to use, require an input voltage greater than the output, and regulate up to 4A of output current. LDOs are less noisy and less expensive than switching regulators, but they dissipate more power (and generate more heat) as the applied input voltage rises. Linear regulators can, however, be quite efficient for applications with a low input-to-output voltage differential (efficiency is proportional to V_{OUT}/V_{IN}).

Charge-pump converters can boost a DC voltage to a higher value, or produce a voltage of opposite

polarity from the input voltage. They use capacitors for energy storage and provide small, low-cost, DC-DC conversion circuits. However, they are limited in output current to less than 0.75A, and so they are restricted to low-power applications.

Inductor-based switching regulators offer both low- and high-power DC-DC voltage conversion, and can either step up (boost) or step down (buck) an input voltage. Maxim's boost regulators offer up to 4A of output current, and our buck regulators offer up to 60A of output current.

Low-Dropout Linear Regulators

Linear regulators require that the input voltage is greater than the output voltage. The minimum required difference between the input voltage and the output voltage is called the dropout voltage. Modern linear regulators have dropout voltages much lower than those of early linear regulators, like the LM7905, and have come to be called low-dropout regulators, or LDOs. Maxim offers a wide variety of LDOs with preset positive output voltages as low as 0.75V and adjustable voltages down to 0.5V. We also offer negative LDOs with outputs from -2.5V to -5V.

LDOs make regulating to a low DC voltage easy and economical. The MAX1589 LDO family is simple to use, feature preset output voltages that vary from 0.75V to 3.0V, and operate with less than 0.175V of dropout at their full 500mA of output current. The MAX1818 LDO family also offers preset output voltages from 1.5V to 5.0V, 500mA of output current, and feature adjustable output voltage down to 1.25V and a dropout voltage of only 0.12V at their full 500mA of output current.

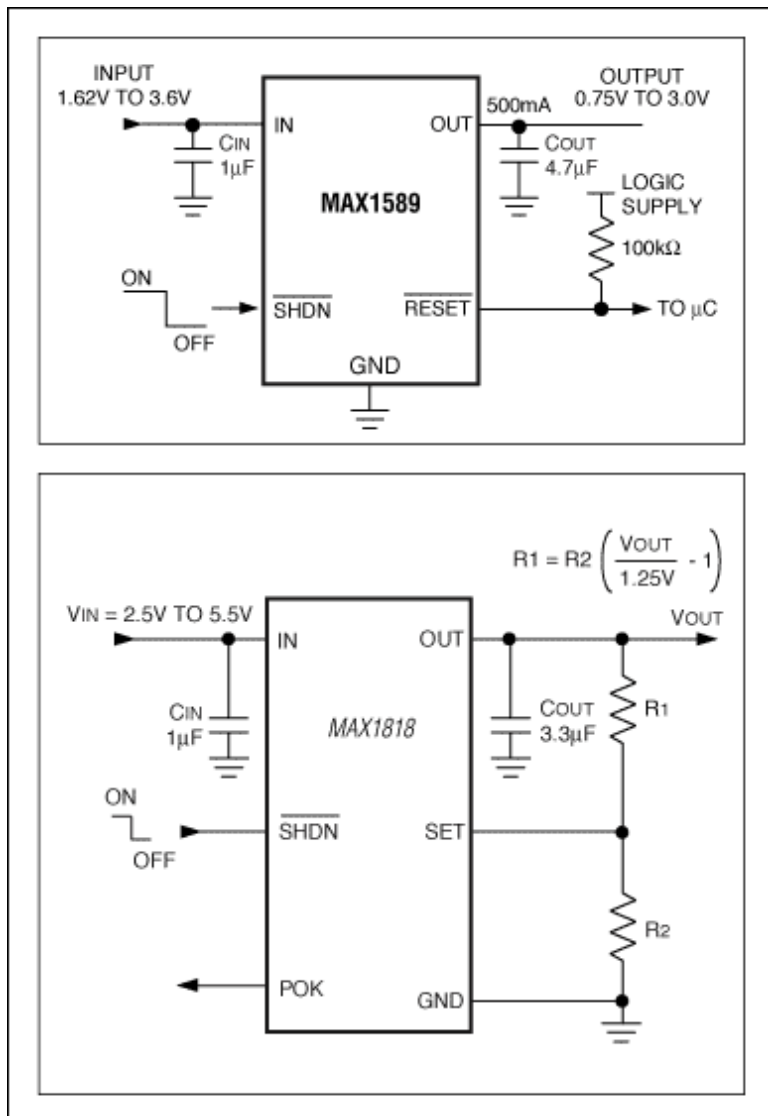


Figure 1. The MAX1589 500mA LDO has preset outputs of 0.75V, 1.0V, 1.3V, 1.5V, 2.5V, and 3.0V. The MAX1818 500mA LDO has preset outputs of 1.5V, 1.8V, 2.0V, 2.5V, 3.3V, and 5.0V or an adjustable output from 1.25V to 5V.

The MAX8510 LDO series incorporates several features important in the design of portable equipment: small size (SC70), low dropout voltage (120mV at 120mA), and low supply current (90µA max.). The MAX8510/MAX8511 are preset to a variety of output voltages between 1.5V and 4.5V, while the MAX8512's output voltage can be adjusted with an external divider.

Charge-Pump Voltage Converters

For low-current applications, the simplest solution for boosting 3V to 5V is a capacitor-based regulating charge pump (**Figure 2**). The industry-standard 7660 and most other charge pumps don't regulate V_{OUT} , but the MAX619 includes an analog reference and error amplifier whose output controls a set of internal switches connected to external capacitors. The switch-capacitor network can double or triple V_{IN} , and the MAX619 regulates by switching between these modes of operation. As indicated, this circuit produces 20mA at $5V \pm 4\%$ for inputs that range between 2V and 3.6V. For inputs between 3.0V and 3.6V, the output-current capability is 50mA.

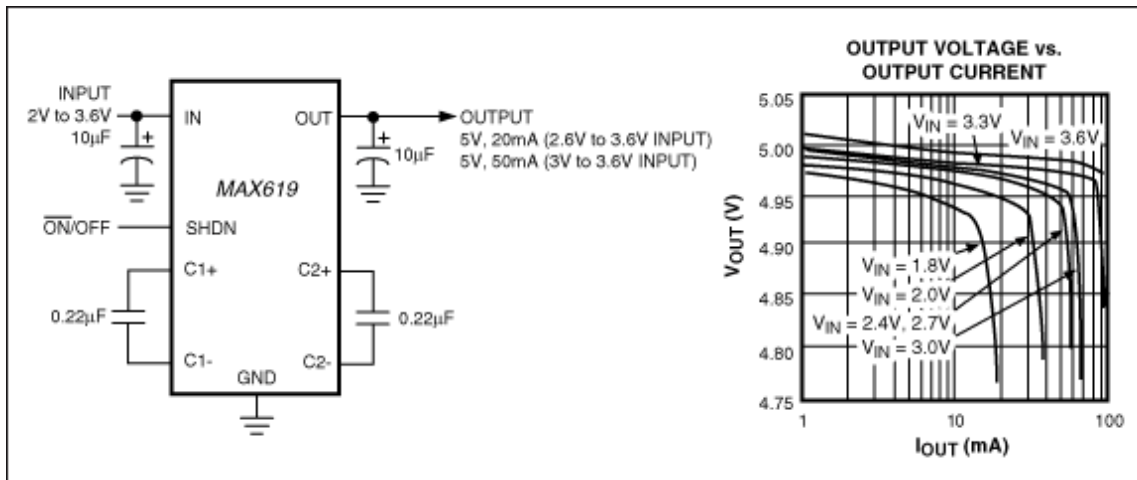


Figure 2. Occupying less than $0.1in^2$ of board space, the MAX619 regulated charge-pump converter generates 20mA at $5V \pm 4\%$ for inputs of 2V to 3.6V and 50mA from 3V to 3.6V.

The MAX5008 regulated 5V USB charge pump provides an output current of up to 125mA with supply voltages down to 2.9V, and is suitable for USB host devices with 3.0V or 3.3V supplies.

Systems that handle bipolar signals usually require a negative supply, which can be generated locally if necessary. A simple solution is to use a charge-pump inverter such as the MAX889.

Inductor-Based, Switch-Mode Regulators

Switching regulators provide single or multiple outputs. Depending on the output power level, these devices are controlled by pulse-frequency modulation (PFM), pulse-width modulation (PWM), or both.. PFM control schemes, which allow high efficiency with light loads, permit the regulator to operate with quiescent supply currents as low as $10\mu A$. PWM schemes consume more power, but they allow fixed-frequency operation for better control of noise and EMI. Some converters switch between the two control schemes based on a control signal or the load-current level.

While LDOs are efficient for low values of $(V_{IN} - V_{OUT})$, many applications have an input voltage that is significantly higher than the output voltage. In this case, efficiency dictates the use of a buck-switching regulator. RF applications such as radios and cellular phones can easily use switching regulators, but care must be taken to avoid introducing noise at the sensitive IF frequencies.

An ideal choice for RF applications is the MAX1684 switching regulator. This device delivers 1A at 3.3V from inputs of 4V to 12V with efficiencies up to 97%, has a 300kHz internal oscillator, and features internal MOSFETs for ease of use.

An efficient buck regulator is also a good choice for upgrading an existing logic board to accommodate lower-voltage, lower-power ICs. These boards typically have 3.3V available, but they require a 1.8V supply for the new low-voltage logic. A linear regulator can easily convert 3.3V to 1.8V, but the power dissipation is prohibitive for higher load currents. At 2A, for instance, the linear regulator would dissipate 3W and require a heat-sink. The MAX1830 high-efficiency switcher (**Figure 3**), however, delivers 20mA to 2A with efficiencies exceeding 90% and requires no external MOSFETs, thus eliminating the need for a heat-sink.

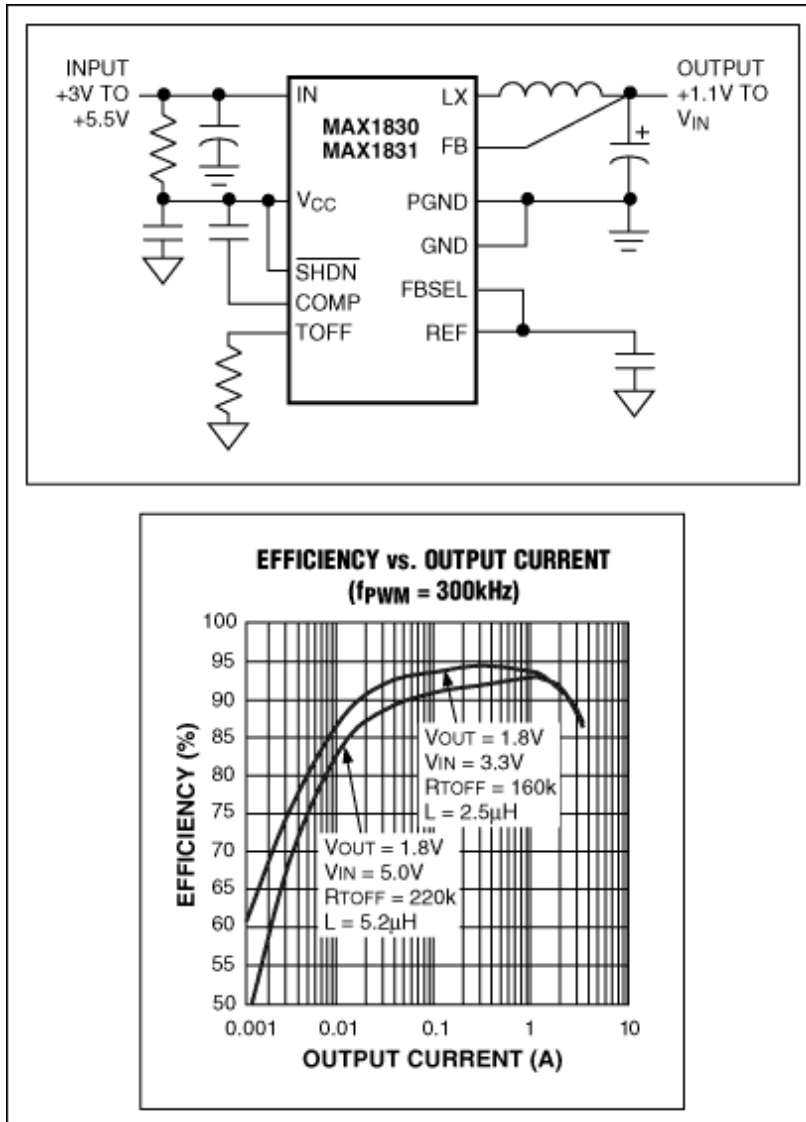


Figure 3. The MAX1830 switching regulator converts 3.3V to 1.8V with efficiency greater than 90% from 20mA to 2A, and requires no external MOSFETs.

The MAX1830 comes in a very small, 16-pin QSOP package and has an input range of 3V to 5.5V. Its quiescent operating current drops from 325μA to only 0.2μA in standby mode. High switching frequency (up to 1MHz) allows the device to operate with small, low-cost, surface-mount components.

Multi-output switching regulators are intended for systems designed to operate with multiple supplies. Applications such as the generation of V_{CC} voltages in a notebook computer, for example, are well served by the MAX1999, which generates four regulated supply voltages (Figure 4).

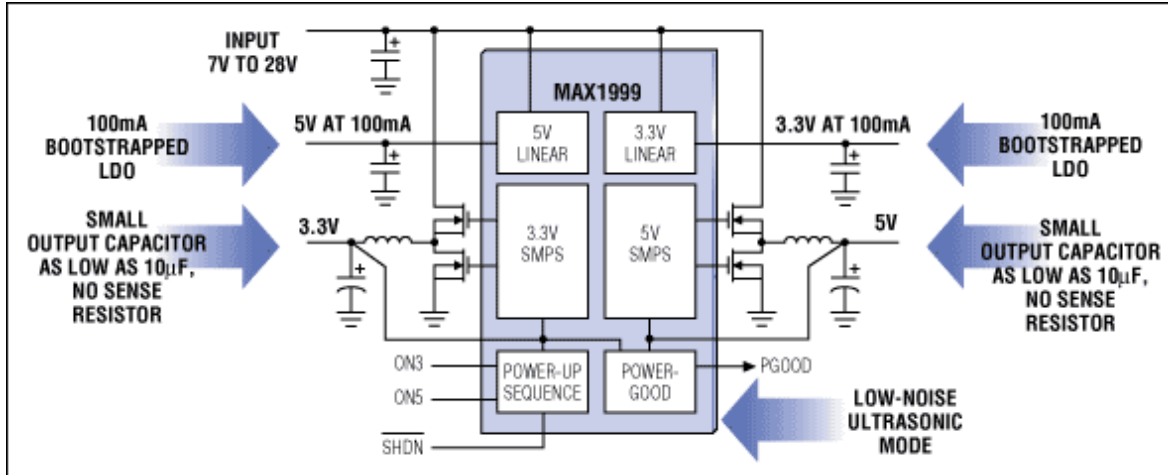


Figure 4. The MAX1999 switching regulator generates four output voltages and has two high-efficiency, high-power switch-mode regulators and two low-power linear regulators. It also includes a power-good output, shutdown control, current limiting, and pin-programmable power-up sequencing.

Data Converters

A/D Converters

Low power consumption is critical for A/D converters (ADCs) operating in portable equipment. These applications often require high speed, but high speed and low power tend to be mutually exclusive. Accordingly, Maxim produces ADCs that draw moderate supply currents while acquiring data, but very low currents while in shutdown. The result is a power savings for converters that need not operate continuously.

The MAX1115, for example, converts 100k samples per second. It operates from a +3V supply using only 175µA of operating current, and uses just 1µA of current in automatic power-down mode. The MAX1115 offers a large power savings for applications in which the sampling is intermittent (Figure 5).

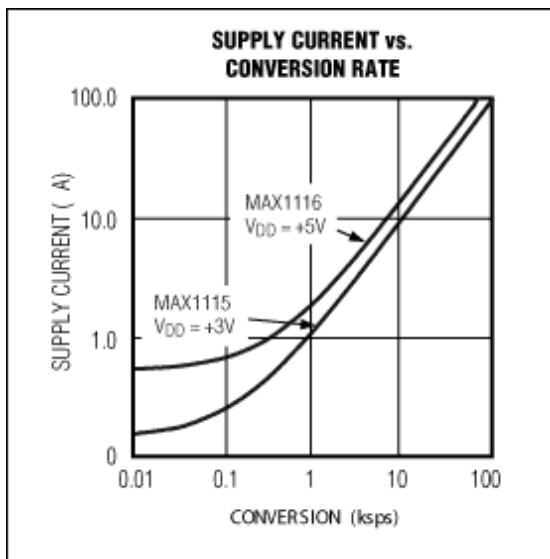


Figure 5. By entering a 1µA power-down mode between conversions, the MAX1115 8-bit ADC offers a dramatic reduction in supply current.

One such application is the measurement of received signal strength in cellular telephones (RSSI: received signal-strength indicator). The MAX1115 digitizes the signal at 2ksps, while drawing a mere 2 μ A from the 3V supply. Total unadjusted error (the sum of offset, integral nonlinearity, and gain errors) less than 1 LSB and SINAD (signal-to-noise and distortion) less than 48dB are guaranteed.

D/A Converters

Modern D/A converters (DACs) allow low-voltage digital systems to generate analog outputs. Intended for portable applications, these ICs require very little power and board area. The low-cost MAX5811, for instance, is a 10-bit, voltage-output DAC with low 170 μ A operating current and just 1 μ A shutdown current, which is ideal for portable applications. Its serial-data control allows it to fit into a SOT23 package.

The MAX5811 operates from single 2.7V supply, and its output swings rail-to-rail. It is ideal for low-cost applications such as trimming offset voltages, setting the bias point for adjustable current (or voltage) sources, and setting the regulation point in other circuits.

Op Amps and Current Monitors

In op amps, reduced-supply operation reduces the signal-to-noise ratio (SNR) by curtailing the output-voltage swing. Many low-voltage op amps, therefore, offer rail-to-rail output swings as a means of preserving the SNR. For the same reason, many feature an input-voltage range that includes one or both supply rails.

Low-voltage operation not only reduces the signal range, it puts an additional squeeze on SNR by raising the noise floor. Low-voltage amplifiers are often designed to draw low supply current, which leads to higher levels of amplifier noise. In addition, the feedback resistors have higher values (to limit system supply currents), which also adds noise.

To further complicate matters, high-impedance nodes are more likely to pick up noise from high-speed digital signals through capacitive coupling. Therefore, high-impedance traces should be kept short and physically distant from high-speed digital traces.

Noteworthy, and somewhat mutually exclusive, low-voltage op amp features include low supply current, low offset voltage, and high speed. The MAX4236A +3V series of devices, for example, combine a 1.7MHz gain-bandwidth product and 20 μ V offset voltage with a low 350 μ A supply current. Input common-mode voltage range is down to the negative rail, and the outputs swing rail-to-rail. These characteristics make the MAX4236A series of op amps useful as instrumentation amplifiers in low-voltage, battery-powered systems.

Maxim's op amp family also features bidirectional, high-side current-sense amplifiers, such as the +2.7V MAX4069 series (**Figure 6**). These current-sense amplifiers minimize grounding problems by employing high-side, current-sense resistors and come in 8-/10-pin μ MAX[®] packages.

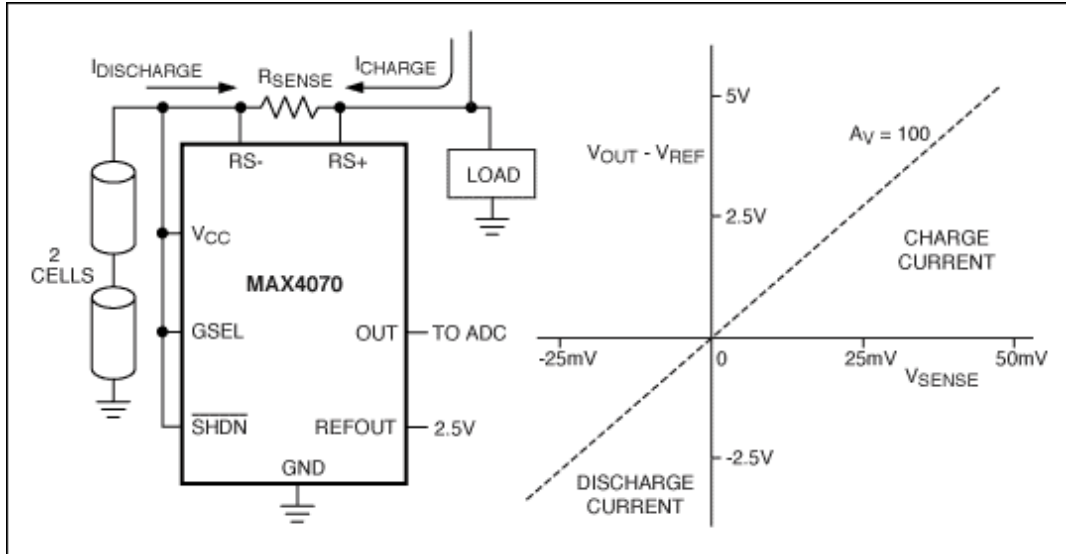


Figure 6. The MAX4070 bidirectional current-sense amplifier forms a complete current-to-voltage converter.

For portable applications that must conserve every microamp, some low-voltage, micropower op amps offer remarkably low supply currents. The +1.4V MAX4036/MAX4038 and +1.8V MAX4474 op amps offer extremely low power consumption at 1.2 μ A (max). Outputs are rail-to-rail, and input ranges include the negative rail.

Input common-mode voltage range and output voltage swing typically become squeezed when powering op amps from low-voltage supplies. Care must be taken to observe these input and output limits when designing low-voltage circuits. **Table 3** presents a cross section of data for the op amps discussed above.

Table 3. A Selection of Specifications for Some of Maxim's Low-Voltage Op Amps

Part	Supply Voltage Range (V)	Supply Current (μ A, typ/max)	Input Common-Mode Voltage Range (V)	Output-Voltage Swing (V, typ)
MAX4036/MAX4038	1.4 to 3.6	0.8/1.2	V_{SS} to ($V_{DD} - 0.4$)	($V_{SS} + 0.002$) to ($V_{DD} - 0.002$)
MAX4069	2.7 to 24	100/250	1.35 to 24	($V_{SS} + 0.1$) to ($V_{DD} - 0.09$)
MAX4070	3.6 to 24	100/250	1.35 to 24	($V_{SS} + 0.1$) to ($V_{DD} - 0.09$)
MAX4236A	2.4 to 5.5	350/440	-0.15 to ($V_{CC} - 1.2$)	($V_{EE} + 0.05$) to ($V_{CC} - 0.15$)
MAX4474	1.8 to 5.5	0.75/1.2	V_{SS} to ($V_{DD} - 1.1$)	($V_{SS} + 0.001$) to ($V_{DD} - 0.004$)

Comparators

Like low-voltage op amps, low-voltage comparators include products separately optimized for high speed, low supply current, and low offset voltage. The MAX9100, for example, is a micropower comparator that operates from a single 1V to 5.5V supply and draws only 12 μ A (max) supply current. It has a 3.7ms propagation delay, 2mV offset, an output swing to within 0.3V of the supply rails, and a common-mode

range that extends to the negative rail.

Some applications, monitoring a power supply's output voltage for instance, require ultra-low power consumption. The MAX9017A, which operates from a 1.8V to 5.5V supply, draws only 1.2 μ A (typ) of supply current, and integrates a voltage reference and a comparator within a single package.

Microprocessor Supervisory Circuits

All microprocessor (μ P) systems require some form of "supervision" to guard against erratic operation. The supervisor can be as simple as a reset generator, which ensures known startup conditions by issuing a system reset following the application of power. But many supervisors include other functions as well, such as backup-battery management, memory-write protection, and "watchdog" timers for monitoring software execution.

Backup batteries, for example, ensure an uninterrupted flow of power to critical circuits (like the CMOS memory and the real-time clock) when V_{CC} is absent. By monitoring V_{CC} , the μ P supervisor decides when to switch the system over to the backup battery. Low-voltage operation, however, presents an engineering problem that doesn't exist in 5V systems.

Five-volt systems simply compare V_{CC} with the backup voltage and switch to backup whenever V_{CC} is lower. But, this approach can cause false switchovers in a lower voltage system: lithium backup batteries measure as high as 3.6V when fresh, which is higher than the 3.0V limit for V_{CC} in a 3.3V system. Maxim's supervisors avoid this problem by allowing the backup voltage to exceed V_{CC} , and initiating a switchover only when V_{CC} falls below a selected threshold.

The MAX823/MAX824 offers a voltage monitor and a watchdog timer in 5-pin SC70 and SOT23 packages (**Figure 7**).

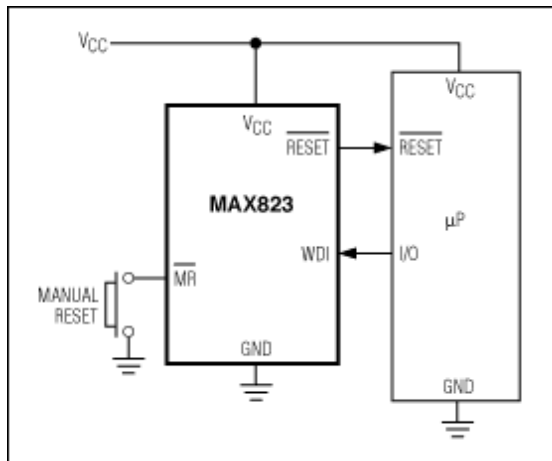


Figure 7. The MAX823 offers a supply voltage monitor, a watchdog, and a manual reset all in a single 5-pin SC70/SOT23 package.

The MAX806R/S/T include battery switchover circuitry and monitor both the 3V and 5V V_{CC} voltages in a dual-voltage system (**Figure 8**). In this circuit, the main V_{CC} comparator monitors the 3V supply, and the power-fail (PFI) comparator monitors the 5V supply.

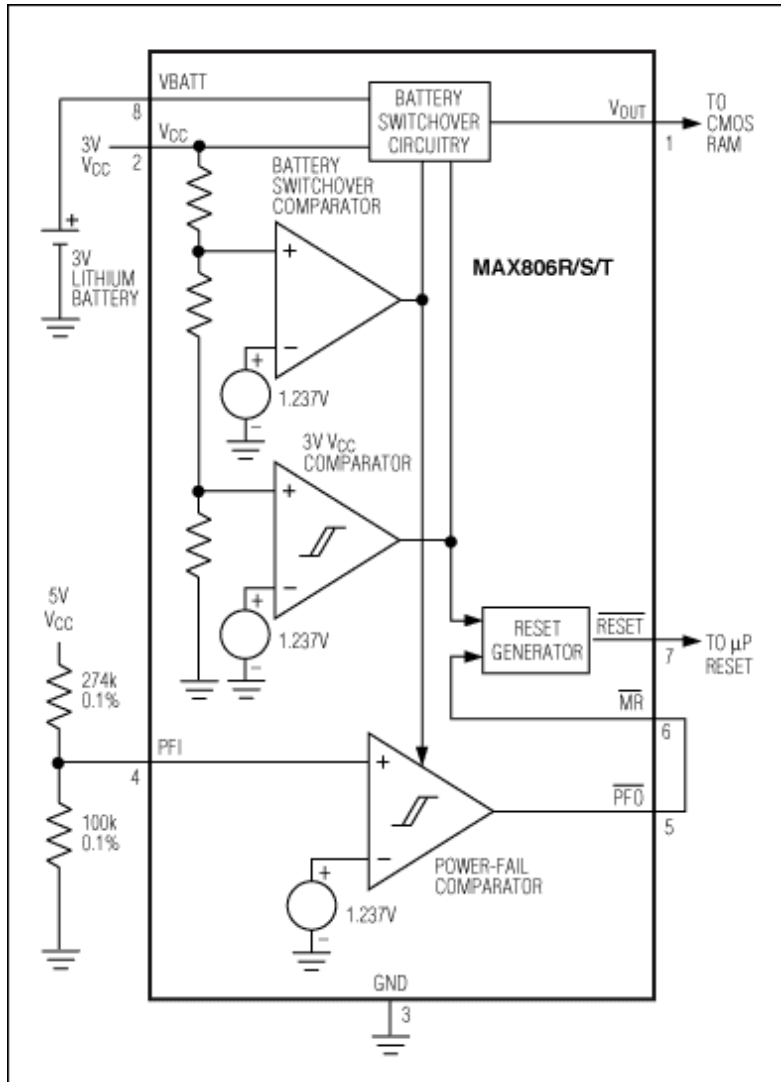


Figure 8. Configured as shown, this μP supervisor monitors 5V and 3V V_{CC} in a dual-voltage system.

Internal circuitry issues a reset when the 3V V_{CC} goes out of tolerance. The 5V V_{CC} 's trip threshold (4.527V to 4.726V) is set by 0.1% resistors; when 5V falls out of tolerance, the power-fail comparator output (PFO) pulls down the manual-reset input (MR). Thus, an out-of-tolerance condition for either V_{CC} causes the chip to issue a reset.

Some of Maxim's low-voltage supervisors protect the memory ICs with chip-enable (CE) gating. CE gating enables the supervisor to protect the memory by blocking read and write operations during power faults. The MAX792 and MAX820, for example, feature CE gating with a propagation delay through the supervisor of only 10ns. (Short delays allow slower, cheaper memories because the CE delay takes less of the memory cycle time.) These devices also offer manual reset, power-on reset, power-fail warning, and watchdog timing.

The low-power MAX6741 monitors two system voltages, and requires only 6 μA of supply current (**Figure 9**). All members of this supervisor family are available with either push-pull or open-drain outputs, come in the tiny SC70 package, and can monitor voltages down to 0.488V.

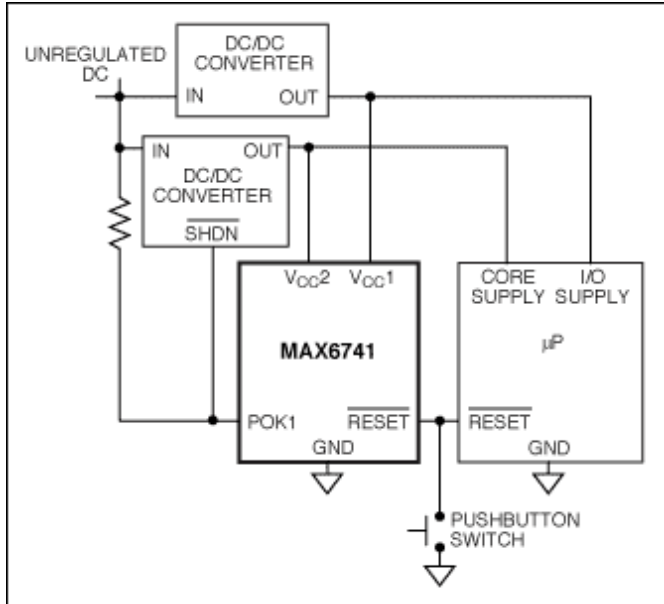


Figure 9. The MAX6741 monitors two voltages and generates a reset signal if either drop out of tolerance.

Voltage References

A three-terminal bandgap reference is the best choice when a precision, low-voltage reference with minimal supply current is specified. Three-terminal references generally offer lower operating currents than do the two-terminal zener diodes types (**Figure 10**).

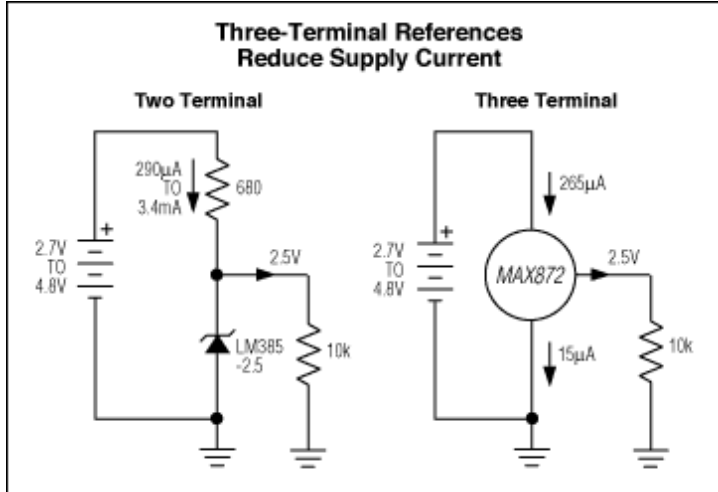


Figure 10. A three-terminal voltage reference, unlike a two-terminal type, draws constant supply current as the input voltage varies.

Output voltage should be as high as possible for maximum SNR, and the input-to-output voltage difference should be low. A 2.5V reference powered from $3V \pm 10\%$, for example, must operate with headroom as low as 200mV. The MAX6029 precision 2.5V reference meets this stringent requirement. It accepts inputs as high as 12V, and draws only 5µA of supply current.

The MAX6029 can source 4mA, and sink 1mA, with a corresponding guaranteed load regulation of $0.7\mu V/\mu A$ (source) and $5.5\mu V/\mu A$ (sink). Temperature drift is 30ppm/°C, and line regulation is typically $27\mu V/V$

over the 2.5V to 12.6V input range.

Analog Switches

Low-voltage analog switches with guaranteed precision have improved dramatically in recent years. The MAX4651/MAX4652/MAX4653 quad, 4 Ω , single-pole/single-throw (SPST) analog switches operate from a single 1.8V to 5.5V supply. As expected, lower voltage operation yields somewhat higher on-resistance and moderately lower switching speeds than are available with higher-voltage supplies (**Figure 11**).

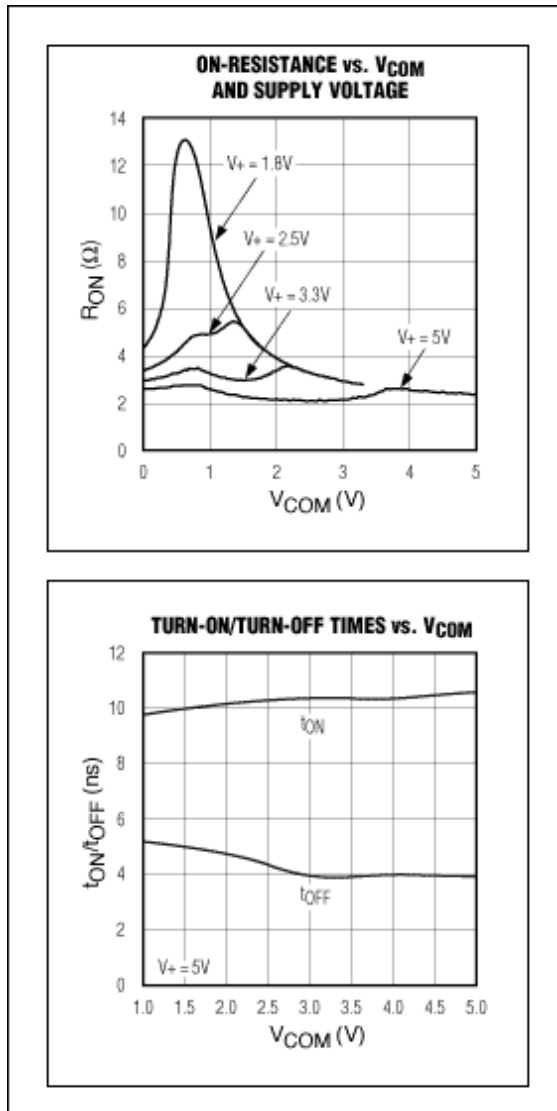


Figure 11. On-resistance and switching times for the MAX4653 analog switch.

Interface Transceivers

USB

The universal serial bus (USB) is very common on computers and peripherals, and while the bus operates at 5V, many signals that need to interface with the bus operate at lower voltages. Maxim makes devices that interface between the low-voltage logic and the USB voltage level, and handle the various USB-

interface-specific control signals. The MAX3453 interfaces USB 1.1/2.0 to logic levels from 1.65V to 3.6V, and accepts a power supply as low as 3.1V, which is ideal for lithium battery-powered logic signals. **Figure 12** shows a typical circuit connecting low-voltage logic to a USB using the MAX3453.

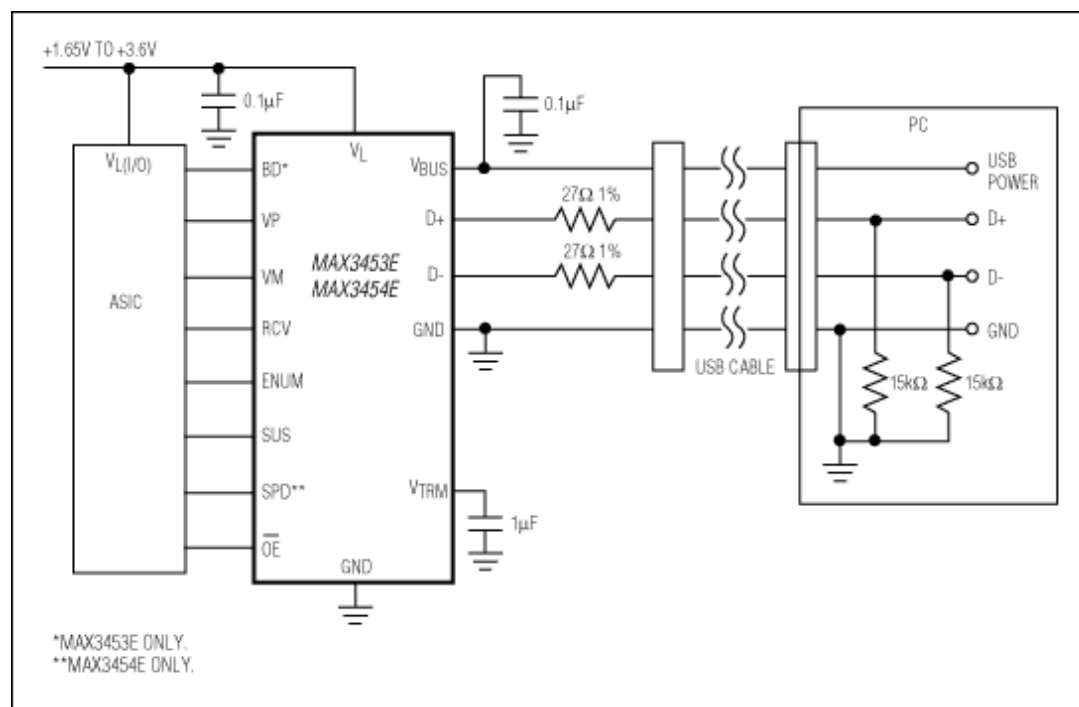


Figure 12. The MAX3453 USB transceiver connects low-voltage logic with the 5V USB bus, and is fully USB 1.1/2.0 compliant at 12Mbps and 1.5Mbps.

RS-232 and RS-485

RS-232, also known as 232E (officially EIA/TIA-232-E), appeared in the days of mainframe and mini computers, at a time when $\pm 12V$ power supplies were common, and the original RS-232 transceivers required $\pm 12V$ for operation. Voltage drops reduced the output swing to about $\pm 9V$, so the required minimum was set still lower, at $\pm 5V$.

The advent of portable and low-voltage equipment has spawned a new serial-interface specification to replace the old 232E standard, EIA/TIA-562 (562 for brevity). This new standard became effective in 1991. The 562 and 232E standards are electrically compatible, so the new 562 designs will mate with existing 232E equipment and vice versa. Despite the new standard, the term RS-232 lingers, and has come to mean both or either standard in loose parlance.

A comparison of certain 232E and 562 specifications is presented in **Table 4**. Note that the driver output swings differ ($\pm 5V$ vs. $\pm 3.7V$), but the receiver input thresholds are the same ($\pm 3V$). The 562 devices' $\pm 3.7V$ minimum output swings allow them to communicate with 232 receivers, which have input thresholds of $\pm 3V$. The noise margin, however, is only 0.7V. By comparison, the 232 drivers' $\pm 5V$ minimum swings guarantee a noise margin of 2V.

Table 4. Comparison of 232E and 562 Interface Standards

Parameter	EIA-232E	EIA-562
Mode of operation	Single	Single ended

	ended	
Allowed number of transmitters and receivers per data line	1 Tx, 1 Rx	1 Tx, 1 Rx
Maximum cable length	C < 2500pF	C < 2500pF for data rates < 20kb/s, C < 1000pF for data rates > 20kb/s
Maximum data rate (kb/s)	20	64
Driver output voltage, loaded (V)	minimum	
	±5	±3.7
	maximum	
	±15	±13.2
Maximum driver short-circuit current (mA)	500	60
Transmitter load impedance (kΩ)	3 to 7	3 to 7
Instantaneous slew rate (V/μs)	< 30	< 30
Receiver input threshold (sensitivity) (V)	±3	±3
Receiver input resistance (kΩ)	3 to 7	3 to 7
Receiver input range (V)	±25	±25

Most modern Maxim RS-232 devices with low-voltage supplies employ voltage-increasing charge-pump converters, sometimes requiring external capacitors. Many Maxim RS-232 devices feature automatic shutdown, and draw only 1μA of current until "awakened" by the RS-232 communication signal. The MAX3381E (**Figure 13**) operates from as low as 2.35V with a guaranteed data rate of 250kbps, and features ±15kV of built-in ESD protection. Its two receivers remain active during the 1μA shutdown mode, enabling the chip to monitor external devices while consuming small amounts of power. The MAX218 (not shown) operates down to +1.8V and uses a switch-mode power converter, which requires an external inductor, a diode, and a few capacitors.

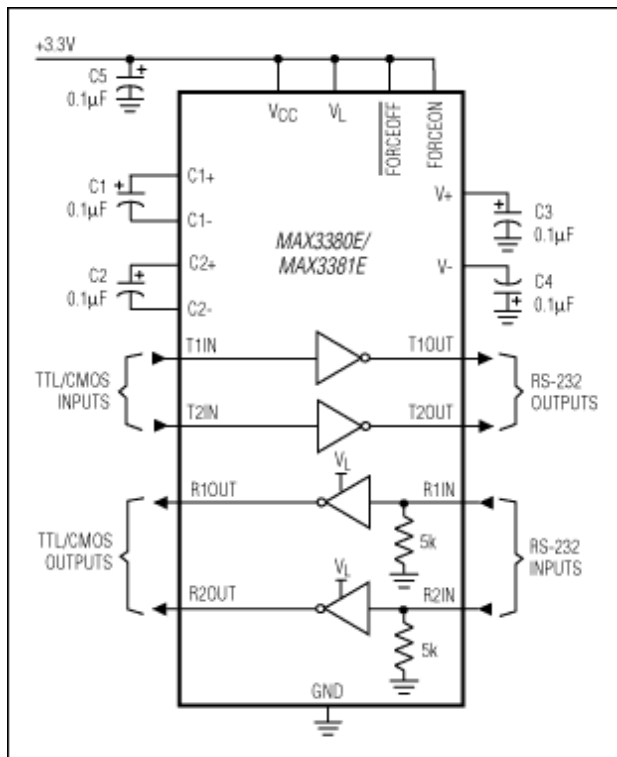


Figure 13. This low-voltage interface IC includes a charge pump converter that generates the voltages required for RS-232 communications.

Related Parts

DS1375	I ² C Digital Input RTC with Alarm	Free Samples
DS4301	Nonvolatile, 32-Position Digital Potentiometer	Free Samples
LMX331	General-Purpose, Low-Voltage, Single/Dual/Quad, TinyPack™ Comparators	Free Samples
MAX1115	Single-Supply, Low-Power, Serial 8-Bit ADCs	Free Samples
MAX1122	1.8V, 10-Bit, 170Mps Analog-to-Digital Converter with LVDS Outputs for Wideband Applications	Free Samples
MAX1144	14-Bit ADCs, 150ksps, 3.3V Single Supply	Free Samples
MAX1462	Low-Voltage, Low-Power, 16-Bit Smart ADC	
MAX1673	Regulated, 125mA Output, Charge Pump DC-DC Inverter	Free Samples
MAX1678	1 Cell to 2 Cell, Low-Noise, High-Efficiency, Step-Up DC-DC Converter	Free Samples
MAX1687	Step-Up DC-DC Converters with Precise, Adaptive Current Limit for GSM	
MAX1706	1 to 3 Cell, High Current, Low-Noise, Step-Up DC-DC Converters with Linear Regulator	Free Samples

MAX1709	4A, Low-Noise, High-Frequency, Step-Up DC-DC Converter	Free Samples
MAX1730	50mA, Regulated, Step-Down Charge Pump for 1.8V or 1.9V Logic	Free Samples
MAX1818	500mA, Low-Dropout Linear Regulator in SOT23	
MAX1818	500mA, Low-Dropout Linear Regulator in SOT23	
MAX1830	3A, 1MHz, Low-Voltage, Step-Down Regulators with Synchronous Rectification and Internal Switches	Free Samples
MAX1831	3A, 1MHz, Low-Voltage, Step-Down Regulators with Synchronous Rectification and Internal Switches	Free Samples
MAX1921	Low-Voltage, 400mA Step-Down DC-DC Converters in SOT23	Free Samples
MAX1928	Low-Output-Voltage, 800mA, PWM Step-Down DC-DC Converters	
MAX1999	High-Efficiency, Quad Output, Main Power-Supply Controllers for Notebook Computers	Free Samples
MAX218	1.8V to 4.25V Powered, True RS-232 Dual Transceiver	Free Samples
MAX3076E	+3.3V, ± 15 kV ESD-Protected, Fail-Safe, Hot-Swap, RS-485/RS-422 Transceivers	Free Samples
MAX3232E	± 15 kV ESD-Protected, Down to 10nA, 3.0V to 5.5V, Up to 1Mbps, True RS-232 Transceivers	Free Samples
MAX3322E	± 15 kV ESD-Protected, RS-232 Transceivers for Multidrop Applications	Free Samples
MAX3380E	+2.35V to +5.5V, 1 μ A, 2Tx/2Rx RS-232 Transceivers with ± 15 kV ESD-Protected I/O and Logic Pins	Free Samples
MAX3381E	+2.35V to +5.5V, 1 μ A, 2Tx/2Rx RS-232 Transceivers with ± 15 kV ESD-Protected I/O and Logic Pins	Free Samples
MAX3381E	+2.35V to +5.5V, 1 μ A, 2Tx/2Rx RS-232 Transceivers with ± 15 kV ESD-Protected I/O and Logic Pins	Free Samples
MAX3471	1.6 μ A, RS-485/RS-422, Half Duplex, Differential Transceiver for Battery-Powered Systems	Free Samples
MAX4036	Low I _{BIAS} , +1.4V/800nA, Rail-to-Rail Op Amps with +1.2V Buffered Reference	Free Samples
MAX4069	Bidirectional, High-Side, Current-Sense Amplifiers with Reference	Free Samples
MAX4070	Bidirectional, High-Side, Current-Sense Amplifiers with Reference	Free Samples
MAX4070	Bidirectional, High-Side, Current-Sense Amplifiers with Reference	Free Samples

MAX410	Single/Dual/Quad, 28MHz, Low-Noise, Low-Voltage, Precision Op Amps	Free Samples
MAX4238	Ultra-Low Offset/Drift, Low-Noise, Precision SOT23 Amplifiers	Free Samples
MAX4291	Ultra-Small, +1.8V, μ Power, Rail-to-Rail I/O Op Amps	Free Samples
MAX4474	Single/Dual/Quad, +1.8V/750nA, SC70, Rail-to-Rail Op Amps	Free Samples
MAX4489	SOT23, Low-Noise, Low-Distortion, Wide-Band, Rail-to-Rail Op Amps	Free Samples
MAX4592	High-Speed, Single-Supply, Quad, SPST Analog Switches	Free Samples
MAX4638	3.5 Ω , Single 8:1 and Dual 4:1, Low-Voltage Analog Multiplexers	Free Samples
MAX4639	3.5 Ω , Single 8:1 and Dual 4:1, Low-Voltage Analog Multiplexers	Free Samples
MAX4644	High-Speed, Low-Voltage, 4 Ω , Dual, SPDT CMOS Analog Switch	Free Samples
MAX4651	Low-Voltage, 4 Ohm, Quad, SPST, CMOS Analog Switches	Free Samples
MAX4652	Low-Voltage, 4 Ohm, Quad, SPST, CMOS Analog Switches	Free Samples
MAX4653	Low-Voltage, 4 Ohm, Quad, SPST, CMOS Analog Switches	Free Samples
MAX4653	Low-Voltage, 4 Ohm, Quad, SPST, CMOS Analog Switches	Free Samples
MAX4695	Low-Voltage, 60 Ω Dual SPDT Analog Switch in Thin QFN	Free Samples
MAX4701	Low-Voltage, Dual DPDT/Quad SPDT Analog Switches in QFN	Free Samples
MAX5355	10-Bit Voltage-Output DACs in 8-Pin μ MAX	Free Samples
MAX5408	Dual, Audio, Log Taper Digital Potentiometers	Free Samples
MAX5522	Dual, Ultra-Low-Power, 10-Bit, Voltage-Output DACs	Free Samples
MAX5811	10-Bit, Low-Power, 2-Wire Interface, Serial, Voltage-Output DAC	Free Samples
MAX6018A	Precision, Micropower, 1.8V Supply, Low-Dropout, SOT23 Voltage Reference	Free Samples
MAX6029	Ultra-Low-Power Precision Series Voltage Reference	Free Samples
MAX619	Regulated 5V Charge Pump DC-DC Converter	Free Samples
MAX619	Regulated 5V Charge Pump DC-DC Converter	Free Samples

MAX6326	3-Pin, Ultra-Low-Power SC70/SOT μ P Reset Circuits	Free Samples
MAX6741	Low-Power Dual-/Triple-Voltage SC70 μ P Supervisory Circuits	Free Samples
MAX6742	Low-Power Dual-/Triple-Voltage SC70 μ P Supervisory Circuits	
MAX6745	Low-Power Dual-/Triple-Voltage SC70 μ P Supervisory Circuits	Free Samples
MAX806R	3.0V/3.3V Microprocessor Supervisory Circuits	Free Samples
MAX823	5-Pin Microprocessor Supervisory Circuits with Watchdog Timer and Manual Reset	Free Samples
MAX9020	SOT23, Dual, Precision, 1.8V, Nanopower Comparators With/Without Reference	Free Samples
MAX966	Single/Dual/Quad, Micropower, Ultra-Low-Voltage, Rail-to-Rail I/O Comparators	Free Samples
MAX997	Single/Dual/Quad, Ultra-High-Speed, +3V/+5V, Beyond-the-Rails Comparators	Free Samples
MAX997	Single/Dual/Quad, Ultra-High-Speed, +3V/+5V, Beyond-the-Rails Comparators	Free Samples

More Information

For Technical Support: <http://www.maximintegrated.com/support>

For Samples: <http://www.maximintegrated.com/samples>

Other Questions and Comments: <http://www.maximintegrated.com/contact>

Application Note 3741: <http://www.maximintegrated.com/an3741>

APPLICATION NOTE 3741, AN3741, AN 3741, APP3741, Appnote3741, Appnote 3741

Copyright © by Maxim Integrated Products

Additional Legal Notices: <http://www.maximintegrated.com/legal>