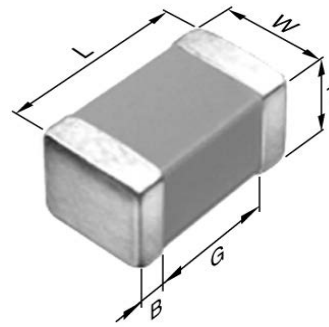


## Application & Main Feature

Commercial Grade ( Mid Voltage (100 to 630V) )

## Series

C2012 [EIA 0805]



## Dimensions

L	2.00mm ±0.20mm
W	1.25mm ±0.20mm
T	1.25mm ±0.20mm
B	0.20mm Min.
G	0.50mm Min.

## Temperature Characteristic

CH (-25 to 85 degC 0+/-60ppm/degC)

## Rated Voltage

2W(450Vdc)

## Capacitance

2.7nF

## Capacitance Tolerance

J (±5%)

## Q Factor

1000 Min.

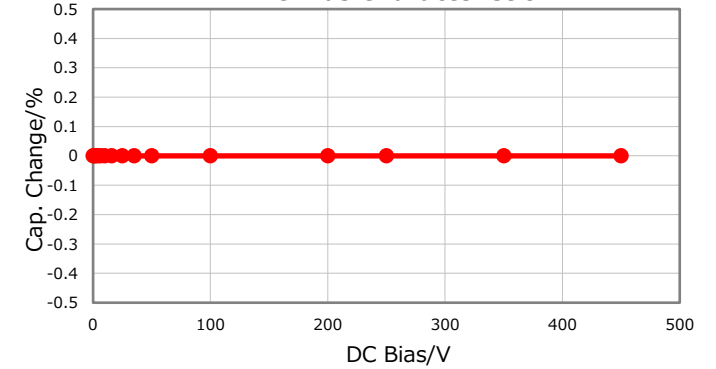
## Insulation Resistance

10Gohm Min

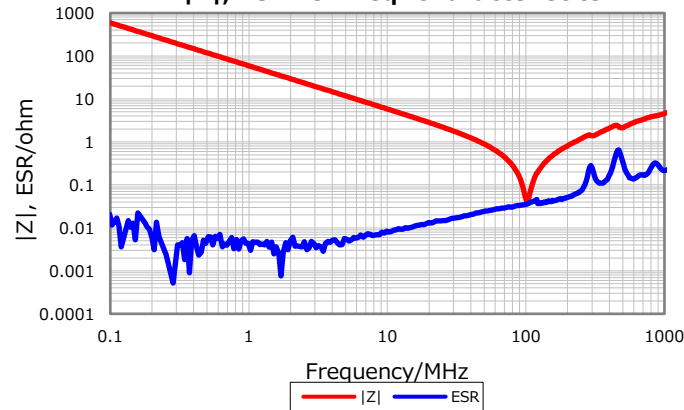
## AEC-Q200

Not Applicable

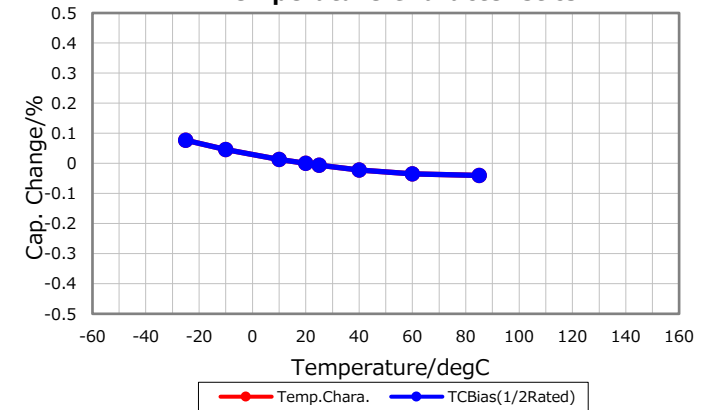
## DC Bias Characteristic



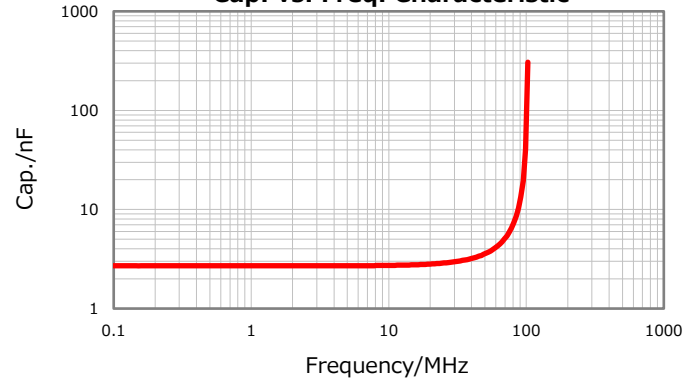
## |Z|, ESR vs. Freq. Characteristics



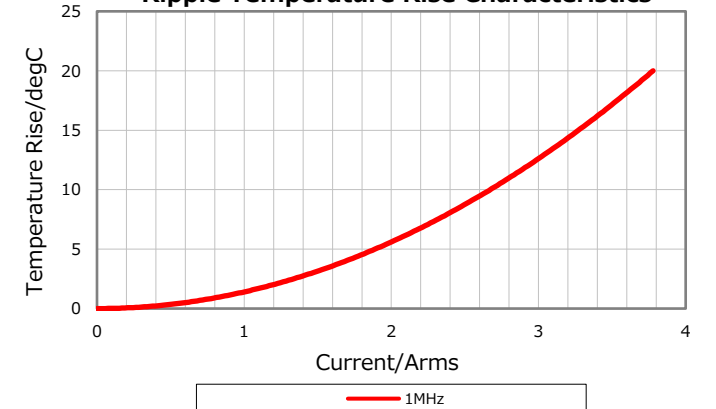
## Temperature Characteristics



## Cap. vs. Freq. Characteristic



## Ripple Temperature Rise Characteristics



Characterization Sheet ( Multilayer Ceramic Chip Capacitors )



All specifications are subject to change without notice.